



US00D804047S

(12) **United States Design Patent** (10) **Patent No.:** **US D804,047 S**
Michaels et al. (45) **Date of Patent:** **** Nov. 28, 2017**

(54) **CURVED LIGHT EMITTING HANDS FREE DEVICE**

2011/0015707 A1 1/2011 Tucker et al.
2011/0092863 A1 4/2011 Kim et al.
2012/0123305 A1* 5/2012 Pearl A61N 5/0617
601/15
2012/0265274 A1* 10/2012 Gomez De Diego
A61N 5/0617
607/89

(71) Applicant: **Lexington International, LLC**, Boca Raton, FL (US)

(72) Inventors: **David Michaels**, Boca Raton, FL (US); **Randy Veliky**, Lighthouse Point, FL (US); **James Smeriglio**, Jupiter, FL (US); **Alain Dijkstra**, Shenzhen (CN); **Yong Zhang**, Changde (CN)

2014/0155962 A1 6/2014 Deroberts
(Continued)

FOREIGN PATENT DOCUMENTS

(73) Assignee: **Lexington International, LLC**, Boca Raton, FL (US)

KR 10-2008-0025989 A 3/2008
WO WO-2009131420 A2 * 10/2009 A61H 7/006
(Continued)

(**) Term: **15 Years**

OTHER PUBLICATIONS

(21) Appl. No.: **29/560,619**

International Search Report and Written Opinion dated Jan. 20, 2016 for International Application Serial No. PCT/US2015/055957, International Filing Date: Oct. 16, 2015, consisting of 12 pages.

(22) Filed: **Apr. 8, 2016**

(51) **LOC (10) CL.** **28-03**

(52) **U.S. CL.**
USPC **D24/209**; D28/10

(58) **Field of Classification Search**
USPC D28/9-10, 41, 58; D24/209-210;
D26/39
CPC A61N 2005/0647; A61N 2005/0652; A61N
2005/0659; A61N 2005/066; A61N
5/0617

Primary Examiner — Jennifer Rivard
(74) *Attorney, Agent, or Firm* — Christopher & Weisberg, P.A.

See application file for complete search history.

(57) **CLAIM**
The ornamental design for a curved light emitting hands free device, as shown and described.

(56) **References Cited**

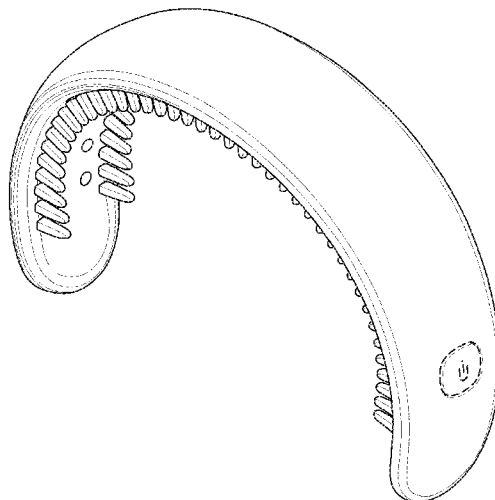
DESCRIPTION

U.S. PATENT DOCUMENTS

D680,272 S * 4/2013 Cheng D28/54.1
D759,893 S * 6/2016 Troska D28/58
D777,339 S * 1/2017 Chen D24/209
2005/0251242 A1* 11/2005 Bousfield A61N 1/322
607/150
2007/0150030 A1 6/2007 Pearl et al.
2008/0125835 A1* 5/2008 Laurent A61N 5/0617
607/89
2010/0105977 A1 4/2010 De Taboada et al.
2010/0106077 A1 4/2010 Rabin et al.

FIG. 1 is a front perspective view of a curved light emitting hands free device;
FIG. 2 is a front view thereof;
FIG. 3 is a rear view thereof;
FIG. 4 is a top view thereof;
FIG. 5 is a bottom view thereof;
FIG. 6 is a right side view thereof; and,
FIG. 7 is a left side view thereof.
The broken lines illustrate portions of the article and form no part of the claimed design.

1 Claim, 5 Drawing Sheets



(56)

References Cited

U.S. PATENT DOCUMENTS

2014/0296946 A1 10/2014 Malek et al.
2014/0350643 A1* 11/2014 Pepitone A61N 5/0616
607/89
2015/0005854 A1* 1/2015 Said A61N 5/0617
607/91
2017/0007846 A1* 1/2017 Rabin A61N 5/0617

FOREIGN PATENT DOCUMENTS

WO 2010/067323 A1 6/2010
WO 2013/084189 A2 6/2013

* cited by examiner

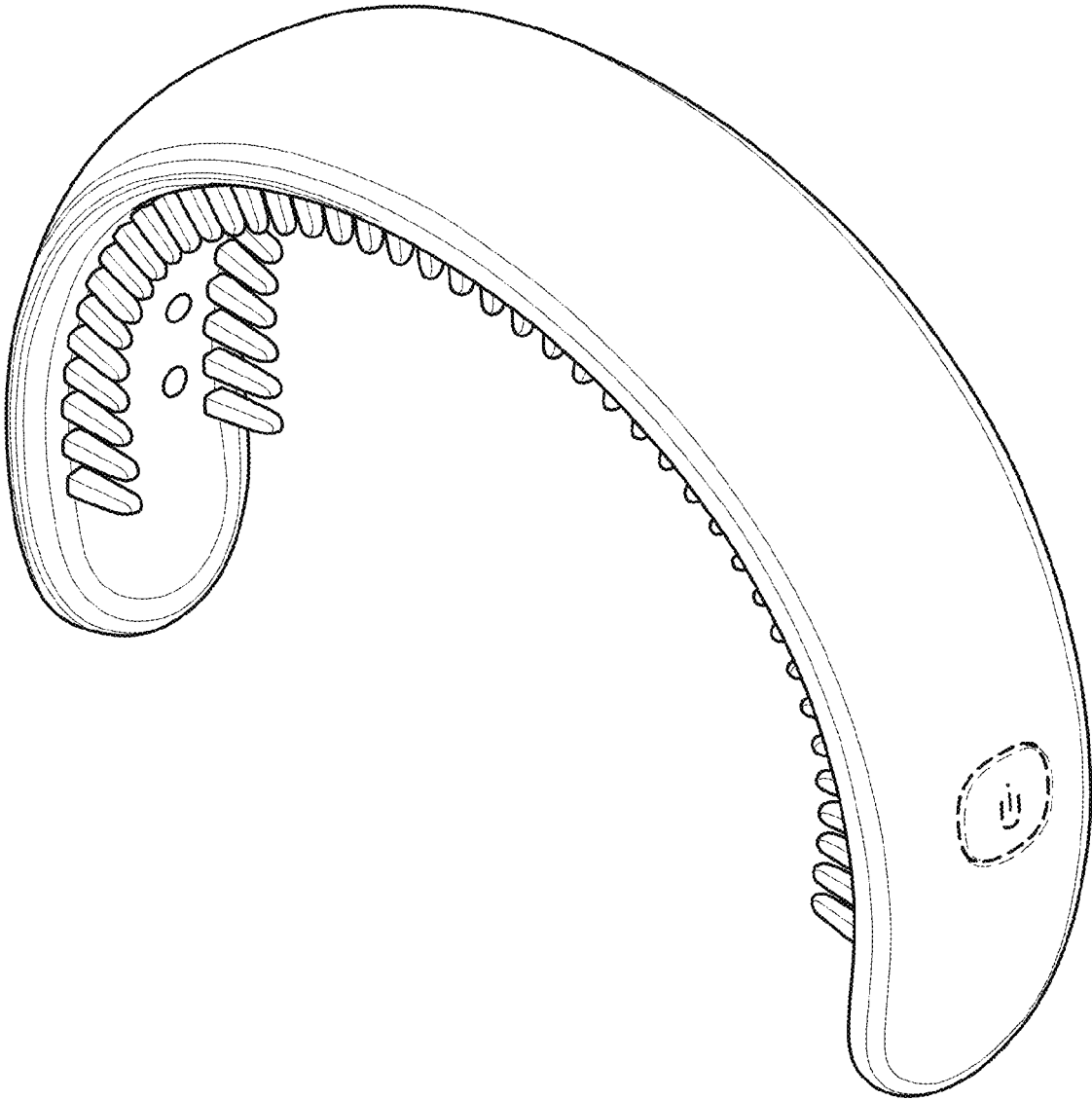


FIG. 1

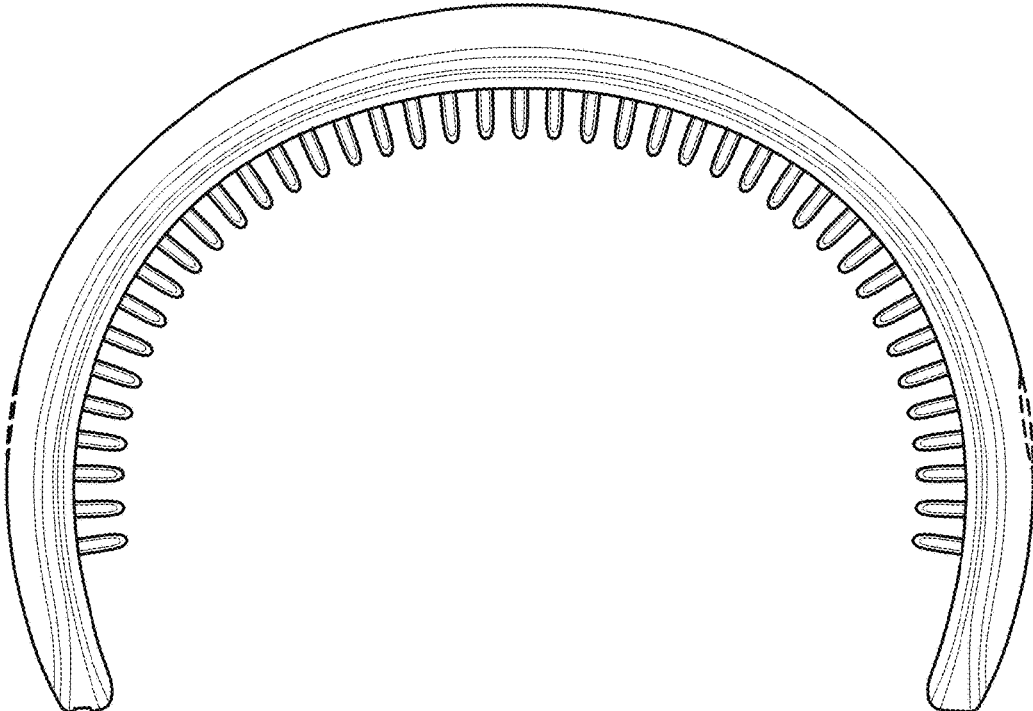


FIG. 2

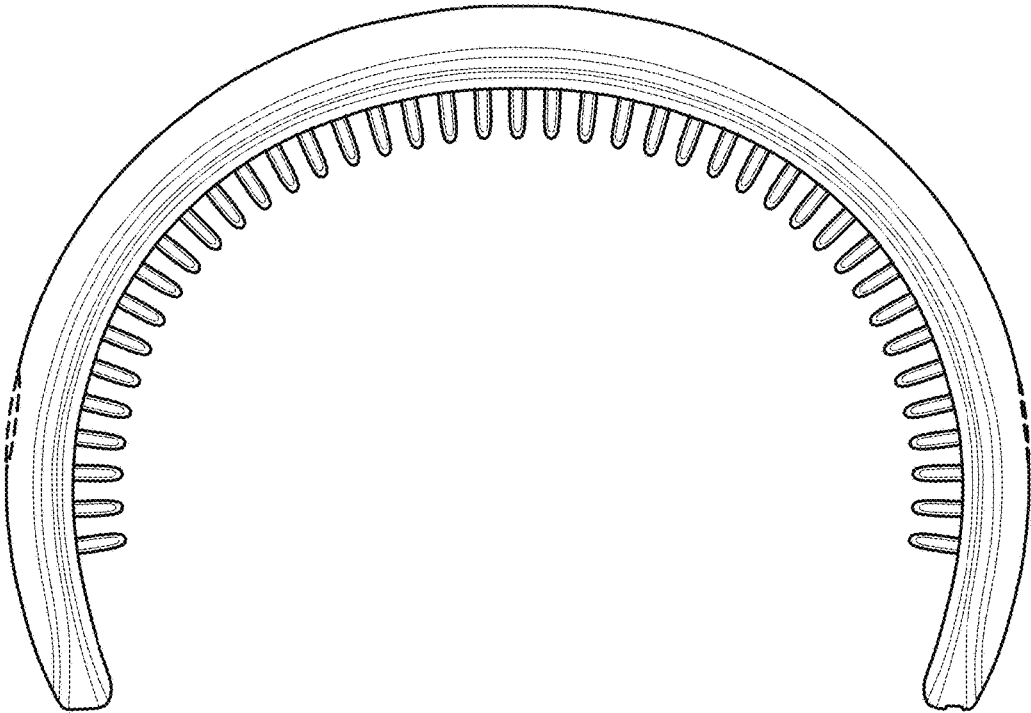


FIG. 3

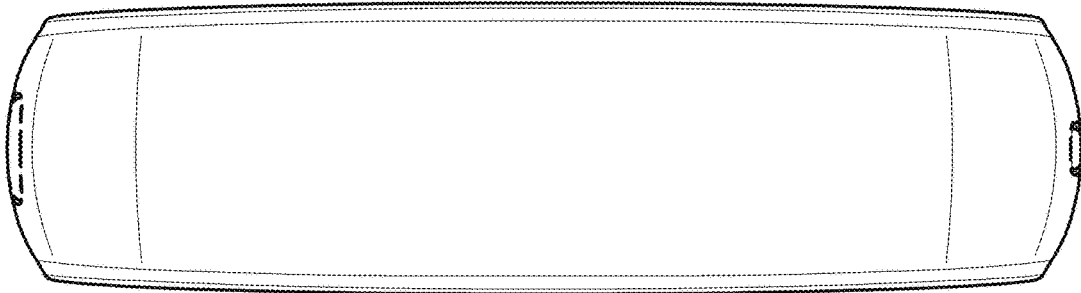


FIG. 4

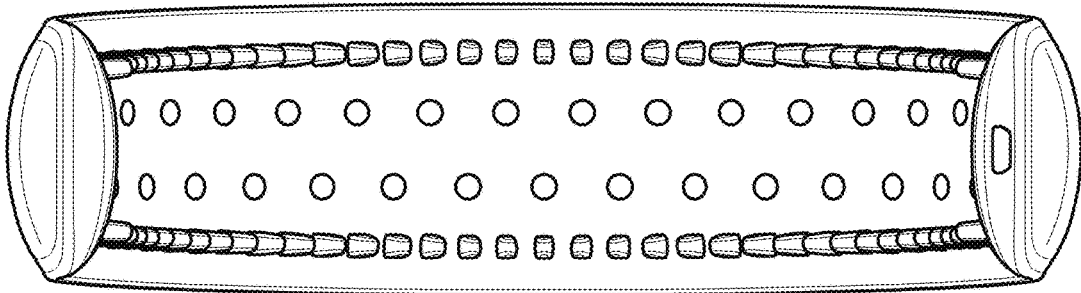


FIG. 5

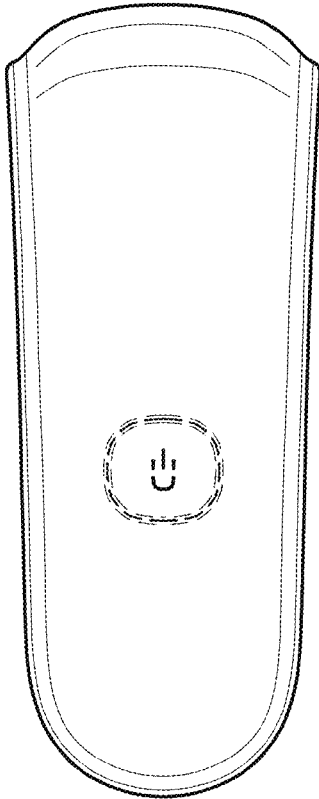


FIG. 6

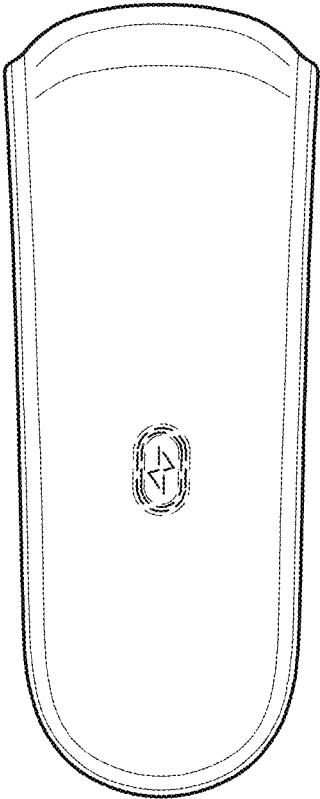


FIG. 7