



US0D1044144S

(12) **United States Design Patent**
Thomas

(10) **Patent No.:** **US D1,044,144 S**

(45) **Date of Patent:** **** Sep. 24, 2024**

- (54) **GARDEN AQUARIUM**
- (71) Applicant: **Garden Aquarium Limited**, Swansea (GB)
- (72) Inventor: **Gareth Owen Thomas**, Swansea (GB)
- (73) Assignee: **Garden Aquarium Limited** (GB)
- (**) Term: **15 Years**
- (21) Appl. No.: **29/835,951**
- (22) Filed: **Apr. 22, 2022**

4,958,593 A * 9/1990 Hurlburt A01K 63/003
 D30/106
 D696,470 S * 12/2013 Towndrow D30/101
 D1,010,942 S * 1/2024 Thomas D30/101
 2019/0289833 A1 9/2019 Yu et al.
 2021/0029976 A1 2/2021 Yang
 2022/0117204 A1 4/2022 Ogawa

OTHER PUBLICATIONS

Tancho Clear View Garden Aquarium Raised Koi Fish Pond Large Window 2,650litre. Retrieved on Jul. 26, 2023. Retrieved from the Internet: <<https://www.ebay.co.uk/itm/255467370377>>.*

* cited by examiner

Primary Examiner — Wan Laymon

(74) *Attorney, Agent, or Firm* — Blanchard Horton PLLC

Related U.S. Application Data

- (62) Division of application No. 29/728,897, filed on Mar. 23, 2020, now Pat. No. Des. 1,010,942.

Foreign Application Priority Data

- (30) Jan. 6, 2020 (EP) 007480843-0001
- Jan. 6, 2020 (EP) 007480843-0002
- Jan. 6, 2020 (EP) 007480843-0003
- Jan. 6, 2020 (EP) 007480843-0004

(51) **LOC (14) Cl.** **30-02**

(52) **U.S. Cl.**
USPC **D30/101**

(58) **Field of Classification Search**
USPC D30/101–107; D11/144–145
CPC A01K 63/00; A01K 63/003
See application file for complete search history.

(56) **References Cited**

U.S. PATENT DOCUMENTS

2,792,811 A 5/1957 Chiaro
 3,747,566 A * 7/1973 Lovitz A01K 63/003
 119/251
 D237,729 S 11/1975 Coppa
 4,844,016 A * 7/1989 Filosa A01K 63/003
 119/501

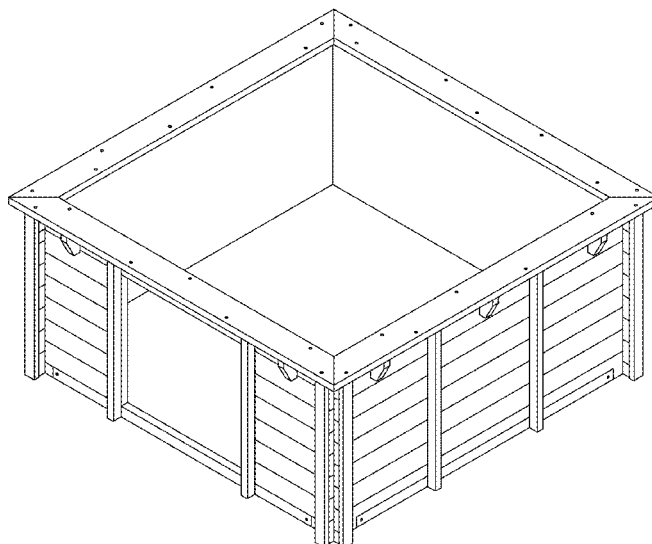
(57) **CLAIM**

I claim the ornamental design for a garden aquarium, as shown and described.

DESCRIPTION

FIG. 1 is a perspective view of a garden aquarium of the present invention;
 FIG. 2 is a front elevation view of the garden aquarium of FIG. 1;
 FIG. 3 is a rear elevation view of the garden aquarium of FIG. 1;
 FIG. 4 is a right elevation view of the garden aquarium of FIG. 1;
 FIG. 5 is a left elevation view of the garden aquarium of FIG. 1;
 FIG. 6 is a bottom plan view of the garden aquarium of FIG. 1; and,
 FIG. 7 is a top plan view of the garden aquarium of FIG. 1. The elements shown in broken line illustrate portions of the garden aquarium that form no part of the claimed design.

1 Claim, 4 Drawing Sheets



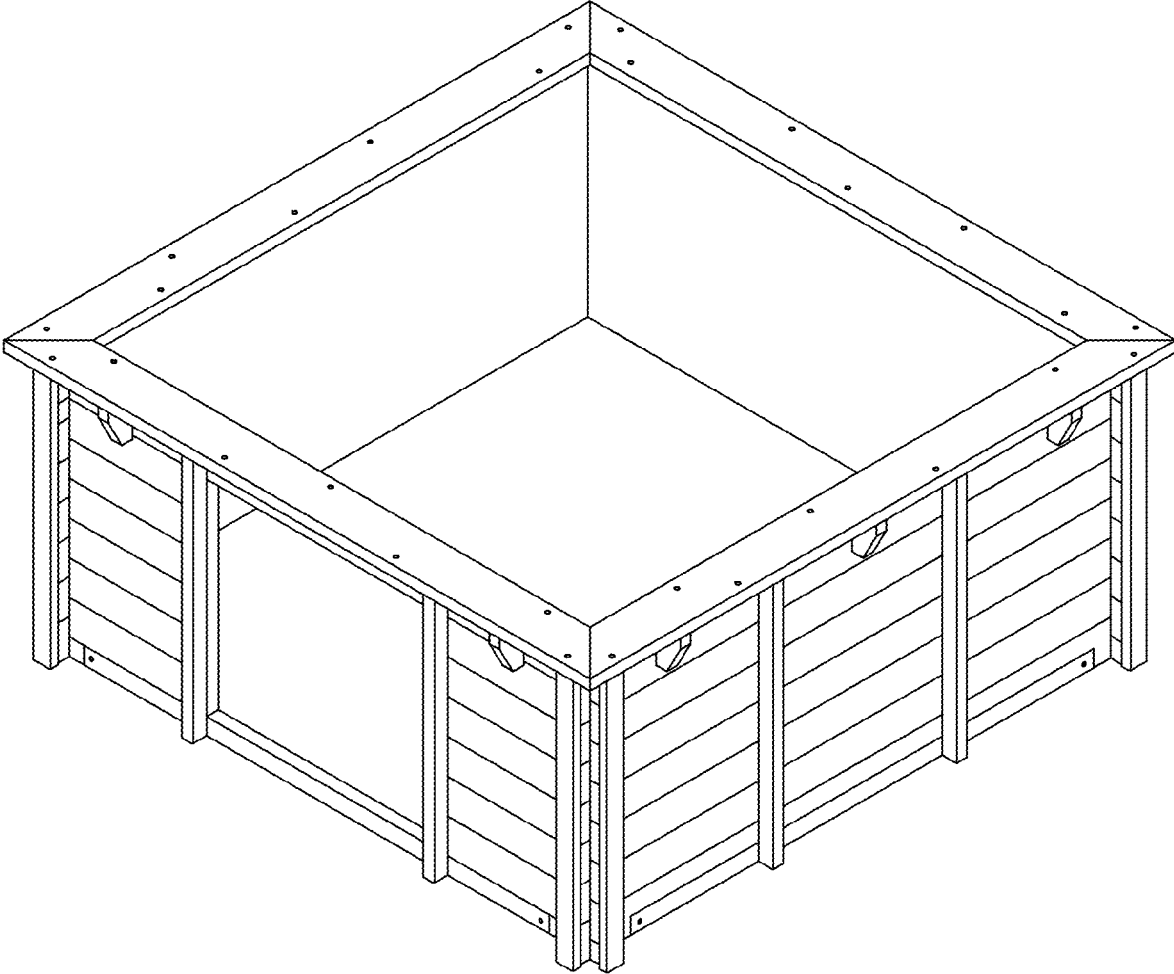


FIG. 1

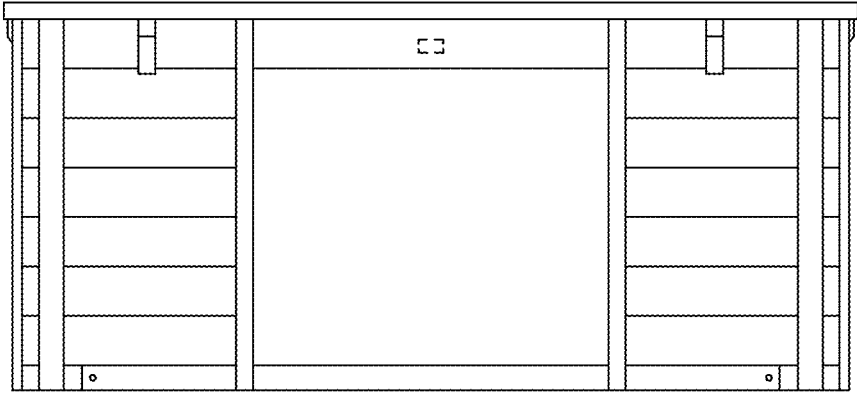


FIG. 2

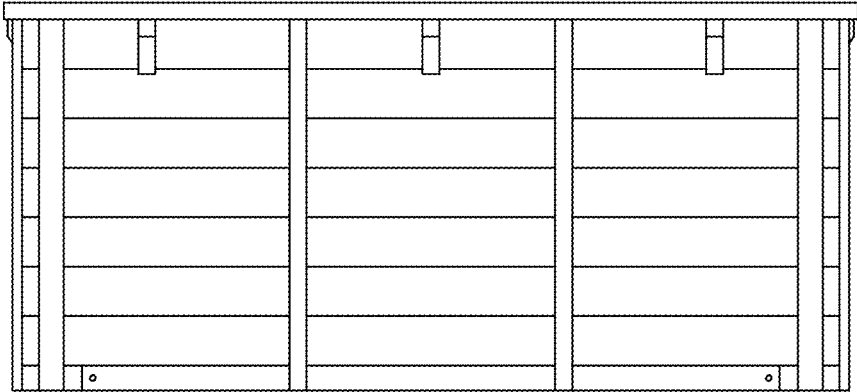


FIG. 3

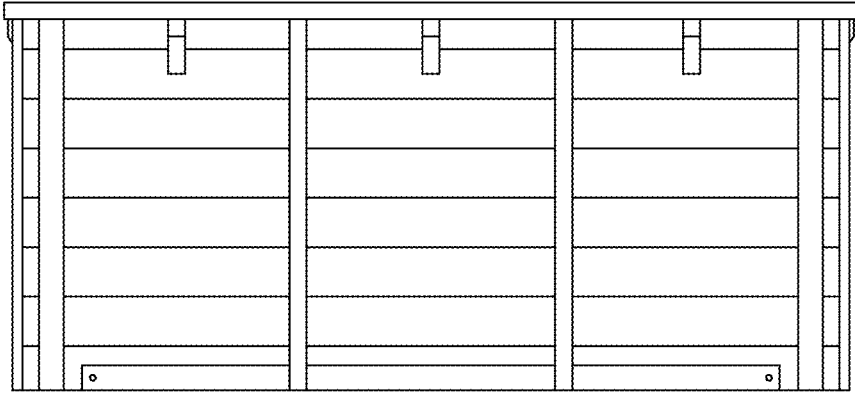


FIG. 4

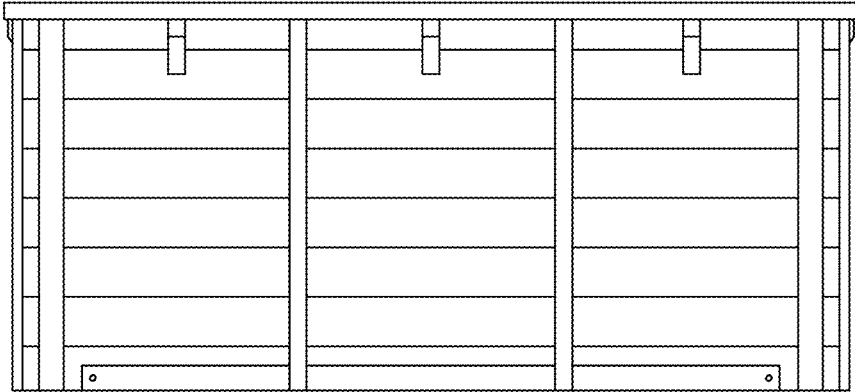


FIG. 5

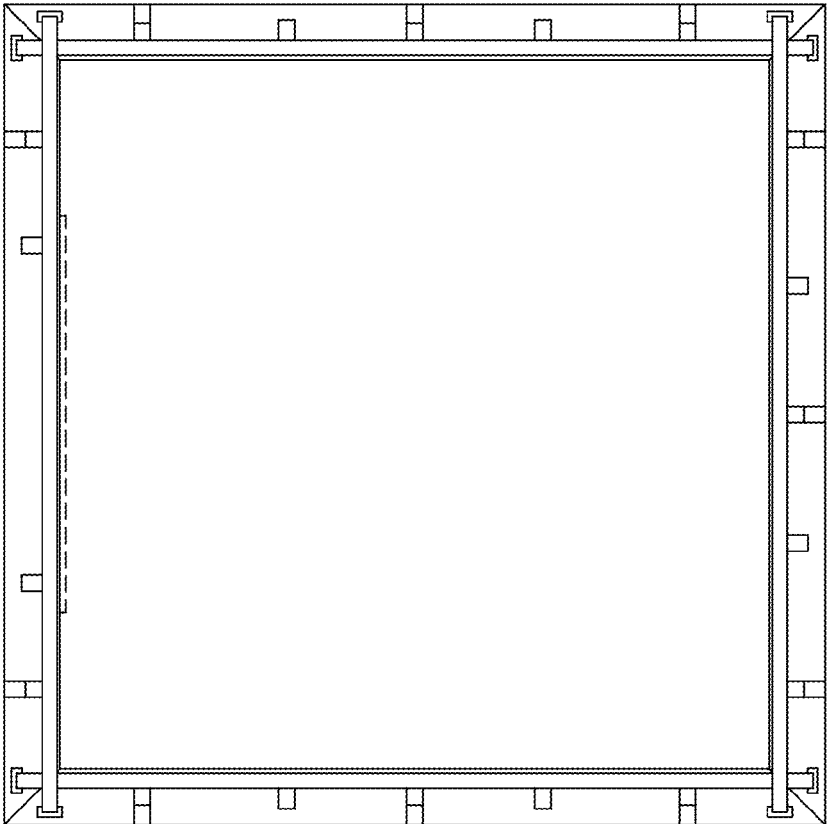


FIG. 6

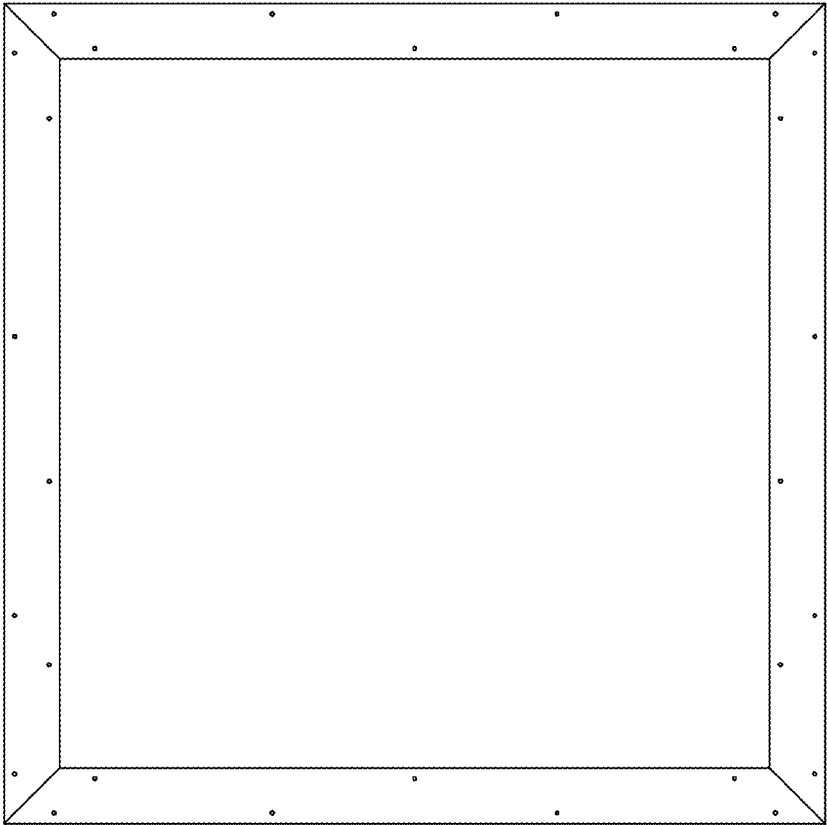


FIG. 7