



US00D775418S

(12) **United States Design Patent** (10) **Patent No.:** **US D775,418 S**
Stephens et al. (45) **Date of Patent:** **** Dec. 27, 2016**

(54) **ACCESSORY FOR A HAIRDRYER** 2014/0007448 A1* 1/2014 Courtney A45D 20/12
34/97
(71) Applicant: **Dyson Technology Limited**, Wiltshire 2015/0007855 A1* 1/2015 Moloney A45D 20/10
(GB) 132/271
2016/0206076 A1* 7/2016 Stephens A45D 20/10
(72) Inventors: **Philip Jonathan Stephens**, Swindon 2016/0206077 A1* 7/2016 Stephens A45D 20/10
(GB); **Boris Zukina**, Bristol (GB);
Christopher John Tyler, Leicester
(GB) 2016/0220004 A1* 8/2016 Moloney A45D 20/10

(73) Assignee: **Dyson Technology Limited**,
Malmesbury, Wiltshire (GB)

(**) Term: **15 Years**

(21) Appl. No.: **29/550,184**

(22) Filed: **Dec. 30, 2015**

(30) **Foreign Application Priority Data**

Jul. 3, 2015 (EM) 001436810-0001

(51) **LOC (10) Cl.** **28-03**

(52) **U.S. Cl.**
USPC **D28/18**

(58) **Field of Classification Search**

USPC ... D28/9, 10, 12, 13, 14, 17, 18, 19, 20, 25,
D28/28; D30/158, 159; 34/98

CPC A45D 20/00; A45D 20/04; A45D 20/08;
A45D 20/10; A45D 20/12; A45D 20/122;
A45D 20/14; A45D 20/124; A45D 20/26;
A45D 20/16; A45D 2020/126; A45D
2020/128

See application file for complete search history.

(56) **References Cited**

U.S. PATENT DOCUMENTS

D600,405 S * 9/2009 Soresina D28/13
D603,094 S * 10/2009 Piard D28/13
D655,038 S * 2/2012 Petruccelli D28/13

FOREIGN PATENT DOCUMENTS

CN 3678682 * 8/2007
CN 302689572 * 12/2013
DE 4218857 C1 * 4/1993 A45D 20/122
GB CA 2878154 A1 * 1/2014 A45D 20/12
GB 2515810 A * 1/2015 A45D 20/08
GB 2515813 A * 1/2015 A45D 20/10
GB 2516478 A * 1/2015 A45D 20/10
IN 273472-0001 * 6/2016

* cited by examiner

Primary Examiner — Catherine Tuttle

Assistant Examiner — Mary Malley

(74) *Attorney, Agent, or Firm* — Morrison & Foerster
LLP

(57) **CLAIM**

We claim the ornamental design for an accessory for a
hairdryer, as shown and described.

DESCRIPTION

FIG. 1 is a front perspective view of an accessory for a
hairdryer showing our new design;

FIG. 2 is a rear perspective view thereof;

FIG. 3 is a front view thereof;

FIG. 4 is a rear view thereof;

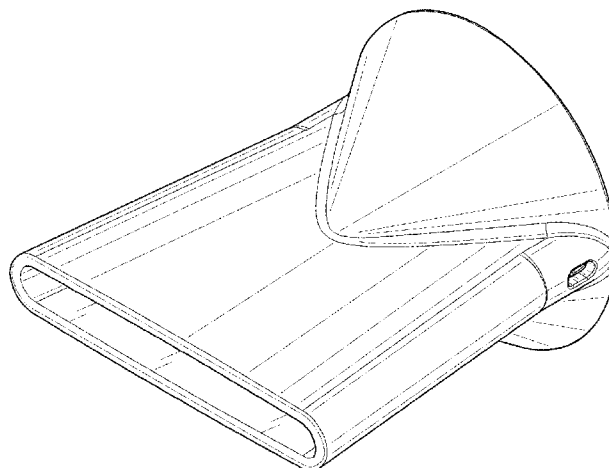
FIG. 5 is a side view thereof;

FIG. 6 is a side view of the opposite side of FIG. 5; and,

FIG. 7 is a top view thereof.

The broken lines are included for the purpose of illustrating
the portions of the accessory for a hair dryer that form no
part of the claimed design.

1 Claim, 7 Drawing Sheets



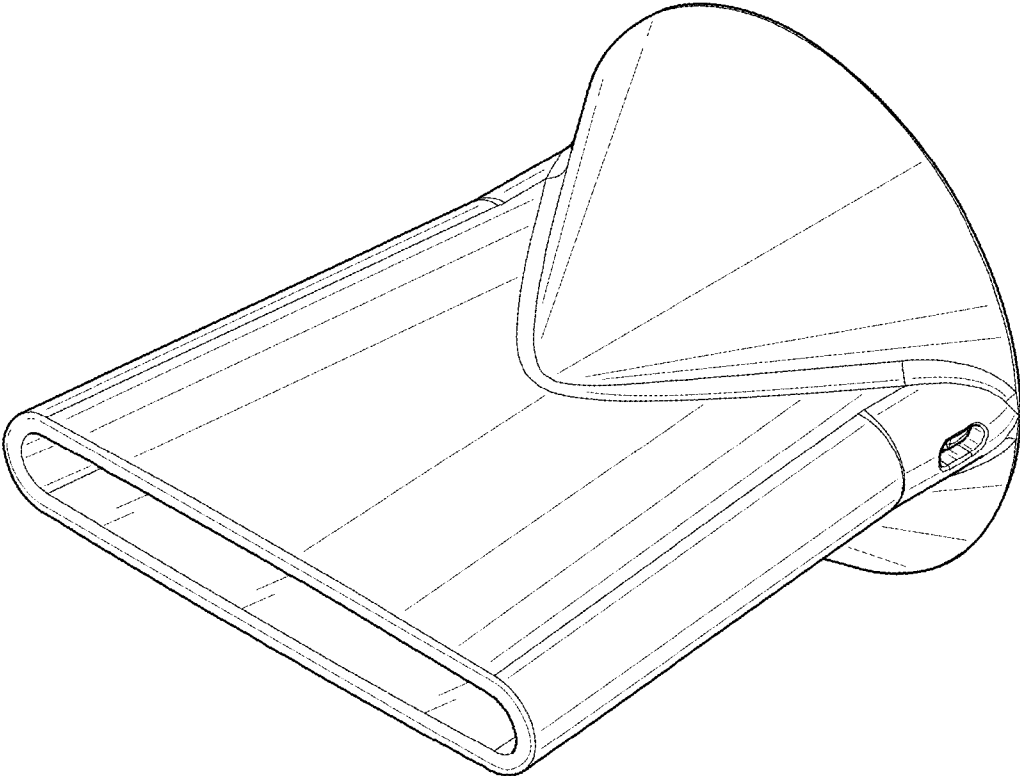


FIG. 1

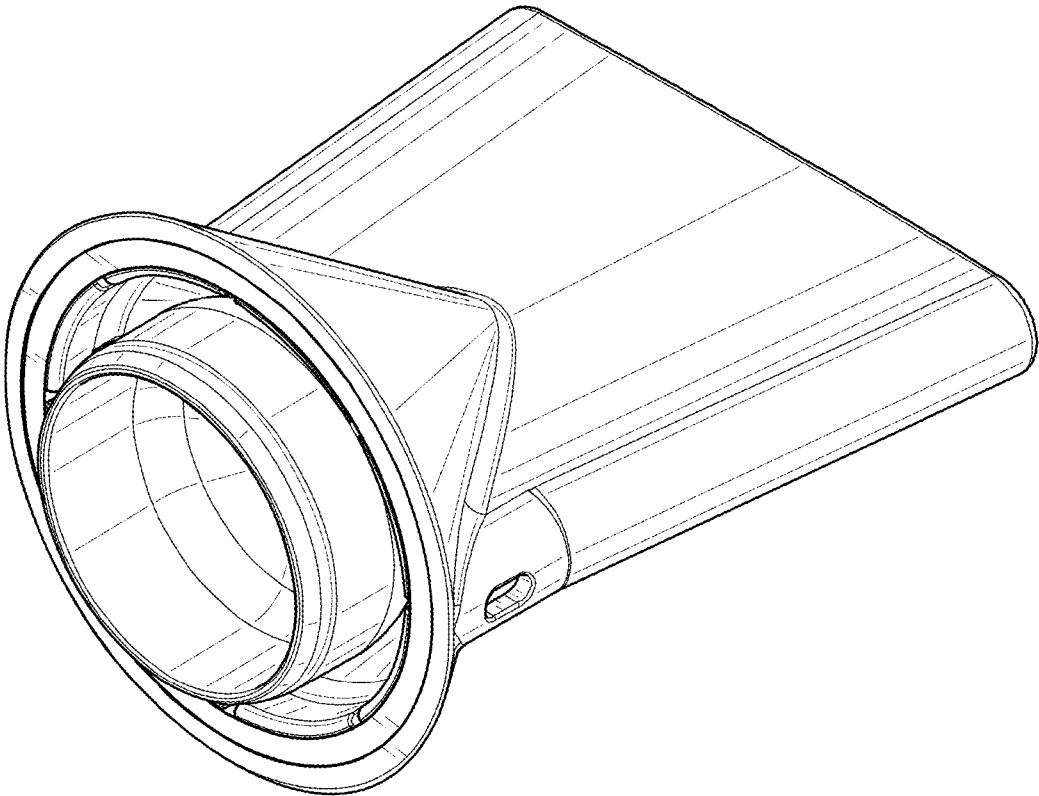


FIG. 2

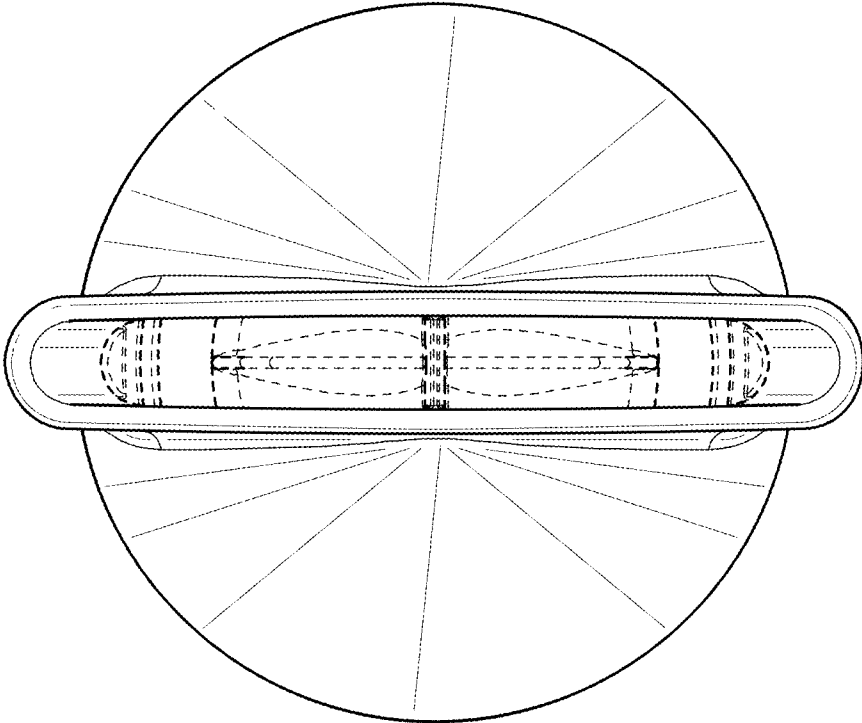


FIG. 3

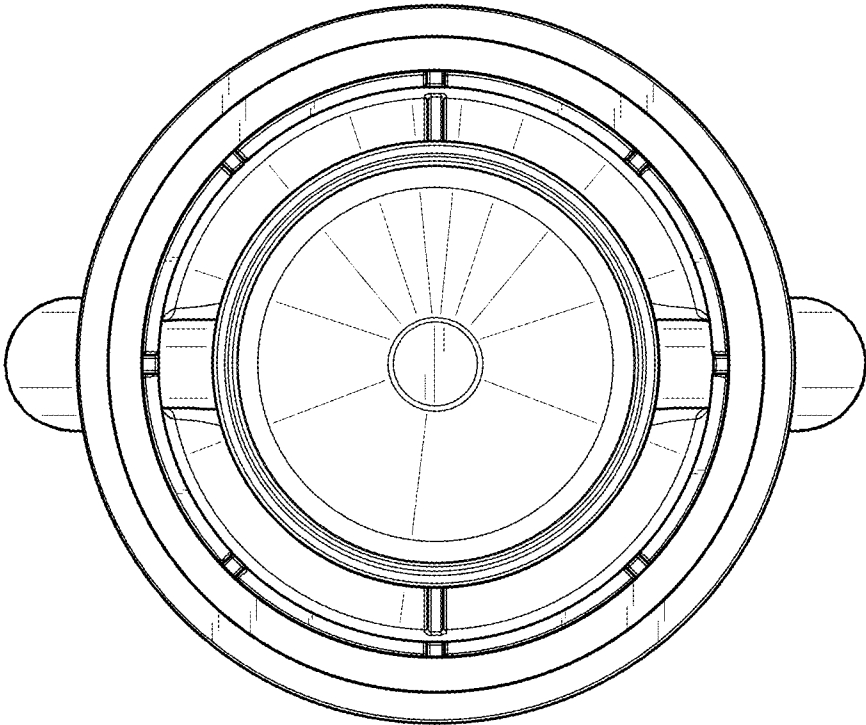


FIG. 4

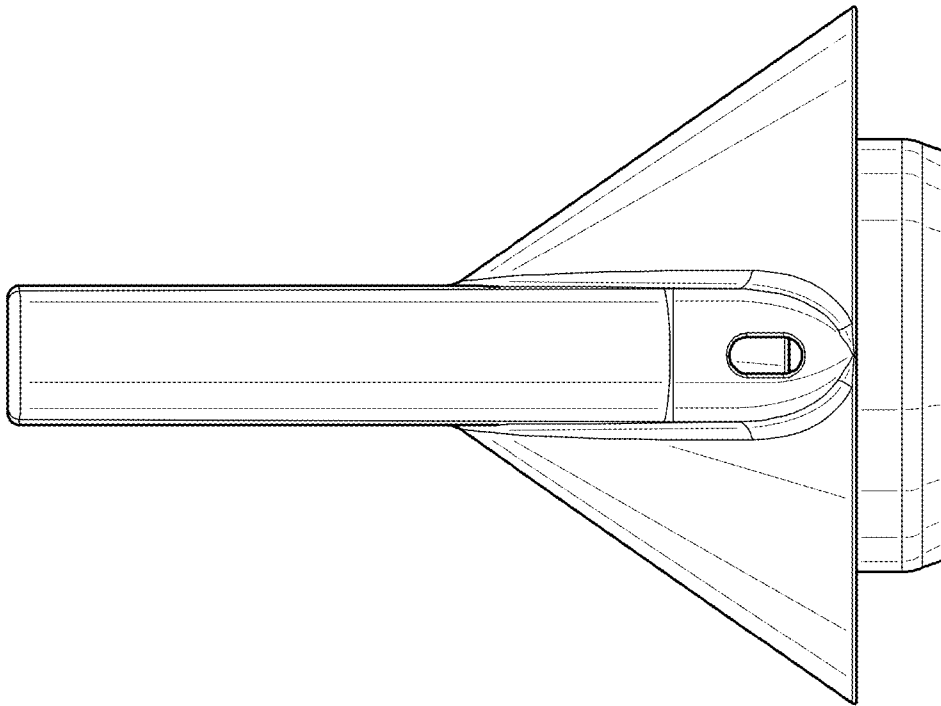


FIG. 5

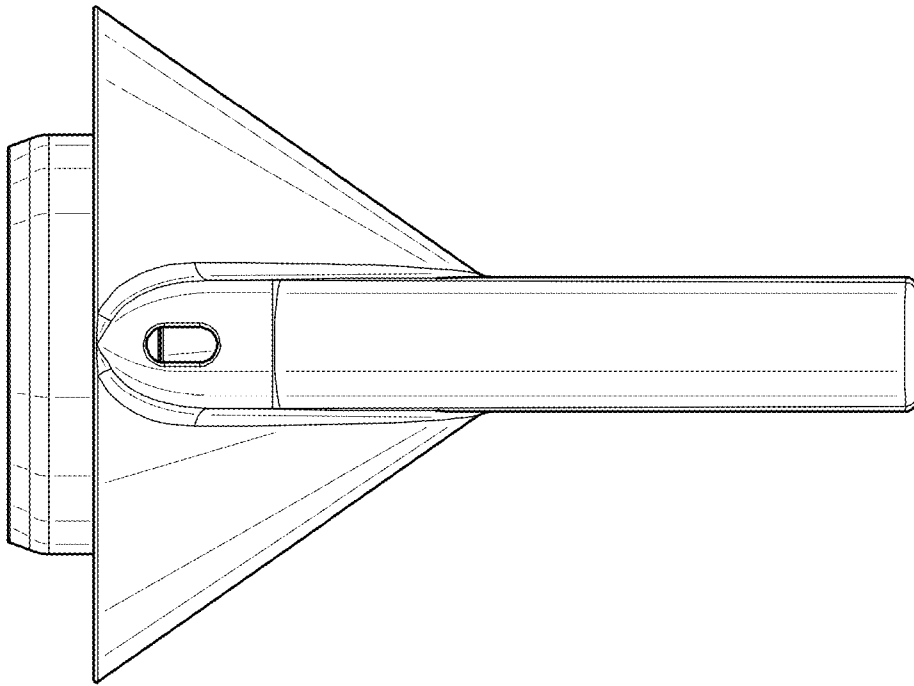


FIG. 6

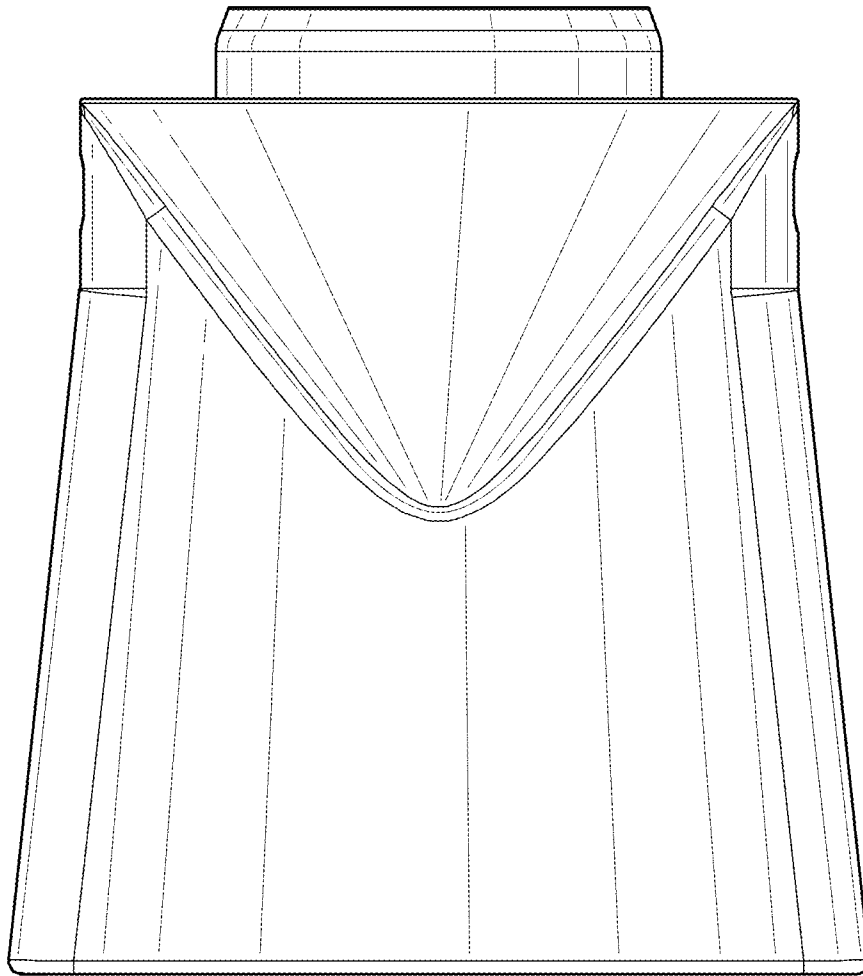


FIG. 7