



US00D909856S

(12) **United States Design Patent**  
**Cobzaru**

(10) **Patent No.:** **US D909,856 S**

(45) **Date of Patent:** **\*\* Feb. 9, 2021**

(54) **BLIND FASTENER BOLT**  
(71) Applicant: **SPS TECHNOLOGIES, LLC**,  
Jenkintown, PA (US)  
(72) Inventor: **Cristinel Cobzaru**, Murrieta, CA (US)  
(73) Assignee: **SPS TECHNOLOGIES, LLC**,  
Jenkintown, PA (US)  
(\*\*) Term: **15 Years**

D248,014 S \* 5/1978 DeCaro ..... 411/405  
6,371,709 B1 \* 4/2002 Papafotiou ..... B21H 3/02  
238/372  
6,866,769 B2 \* 3/2005 Anderson ..... B23H 3/00  
204/224 M  
8,888,425 B2 \* 11/2014 Pratt ..... F16B 19/1045  
411/34  
9,297,407 B2 \* 3/2016 Pudvah ..... F16B 5/02  
9,822,907 B1 \* 11/2017 Hennon ..... F16B 43/001  
D859,973 S \* 9/2019 Foerster, Jr. .... D8/397  
D878,194 S \* 3/2020 Lee ..... D8/397

(Continued)

(21) Appl. No.: **29/703,481**

**FOREIGN PATENT DOCUMENTS**

(22) Filed: **Aug. 27, 2019**  
(51) **LOC (13) Cl.** ..... **08-08**  
(52) **U.S. Cl.**  
USPC ..... **D8/387**

EP 1635994 3/2006  
JP H0544343 6/1993  
WO 2018224793 12/2018

(58) **Field of Classification Search**  
USPC ..... D8/385, 387, 388, 391, 397  
CPC ..... F16B 5/0258; F16B 19/1036; F16B  
19/1072; F16B 19/1054; F16B 19/004;  
F16B 2019/006; F16B 2019/1009; F16B  
2019/1018; F16B 23/0007; F16B  
23/0015; F16B 23/0023; F16B 23/003;  
F16B 23/0038; F16B 23/0046; F16B  
23/00; F16B 23/0092; F16B 23/0084;  
F16B 25/0036; F16B 25/0042; F16B  
25/0015; F16B 25/0021; F16B 25/0026;  
F16B 25/0031; F16B 25/0047; F16B  
25/001; F16B 27/00; F16B 29/00; F16B  
33/00; F16B 33/02; F16B 35/048; F16B  
35/041

**OTHER PUBLICATIONS**

International Search Report for International Application PCT/  
US2020/047946, dated Oct. 23, 2020.

*Primary Examiner* — Sandra Snapp  
*Assistant Examiner* — Ieisha N Price  
(74) *Attorney, Agent, or Firm* — Burris Law, PLLC

See application file for complete search history.

(57) **CLAIM**

The ornamental design for a blind fastener bolt, as shown  
and described.

(56) **References Cited**

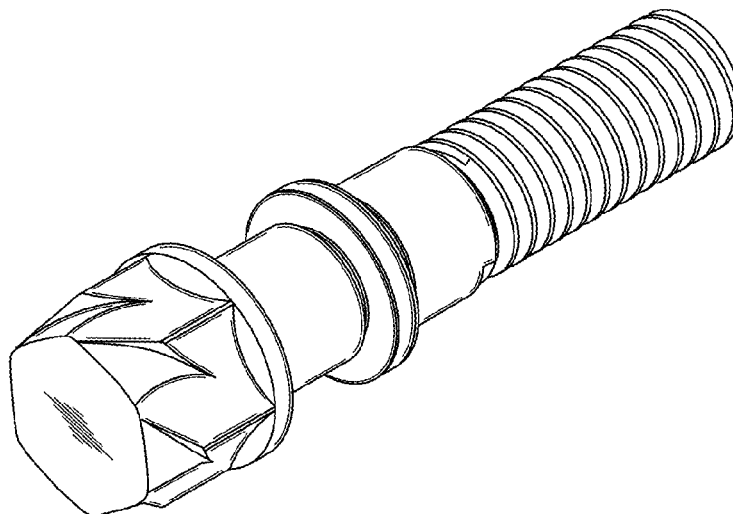
**U.S. PATENT DOCUMENTS**

D157,484 S \* 2/1950 Gade ..... D8/397  
2,971,425 A \* 2/1961 Blakeley ..... B25B 31/005  
411/28  
4,073,160 A \* 2/1978 Perret ..... B25B 13/065  
411/403

**DESCRIPTION**

FIG. 1 is a top-front perspective view of the blind fastener  
bolt;  
FIG. 2 is a bottom-rear perspective view thereof;  
FIG. 3 is a front view thereof;  
FIG. 4 is a left side view thereof;  
FIG. 5 is a top view thereof;  
FIG. 6 is a right side view thereof;  
FIG. 7 is a rear view thereof; and,  
FIG. 8 is a bottom view thereof.

**1 Claim, 4 Drawing Sheets**



(56)	<b>References Cited</b>						
	U.S. PATENT DOCUMENTS						
	2003/0044257 A1*	3/2003	Siegel .....	B21K 1/46 411/402	2015/0078860 A1*	3/2015	Ellingson ..... F16B 33/02 411/368
	2010/0172717 A1*	7/2010	Corbett .....	F16B 39/22 411/366.1	2015/0086294 A1*	3/2015	Selle ..... F16B 23/0007 411/403
	2011/0070051 A1*	3/2011	Chang .....	F16B 23/0092 411/405	2016/0102700 A1*	4/2016	Ulrich ..... F16B 23/0007 411/166
	2011/0252925 A1*	10/2011	Whitehead .....	B25B 15/005 81/53.2	2016/0215804 A1*	7/2016	Hufnagl ..... F16B 13/061
	2013/0272815 A1*	10/2013	Hufnagl .....	F16B 19/1036 411/55	2016/0222222 A1*	8/2016	Stupar ..... F16B 33/06
	2014/0033494 A1*	2/2014	O'Sullivan .....	F16B 23/00 29/426.2	2016/0312816 A1*	10/2016	Bjelobradic ..... F16B 23/0038
	2014/0112734 A1*	4/2014	Ambros .....	F16B 25/0042 411/387.1	2017/0282236 A1*	10/2017	Hutter ..... C22C 38/58
	2014/0144300 A1*	5/2014	Marchand .....	F16B 23/0061 81/467	2017/0343030 A1*	11/2017	Freyermuth ..... F16B 35/048
	2014/0147226 A1*	5/2014	Andrade de Souza .....	F16B 41/005 411/3	2017/0363129 A1*	12/2017	Bada ..... B25B 13/065
					2018/0163766 A1*	6/2018	Haylock ..... F16B 5/04
					2018/0223889 A1*	8/2018	Yi ..... B21H 3/025
					2019/0063487 A1*	2/2019	Ikami ..... F16B 39/30
					2019/0160520 A1	5/2019	Cobzaru
					2019/0162217 A1	5/2019	Vovan
					2019/0242426 A1*	8/2019	Moore ..... F16B 4/004

\* cited by examiner

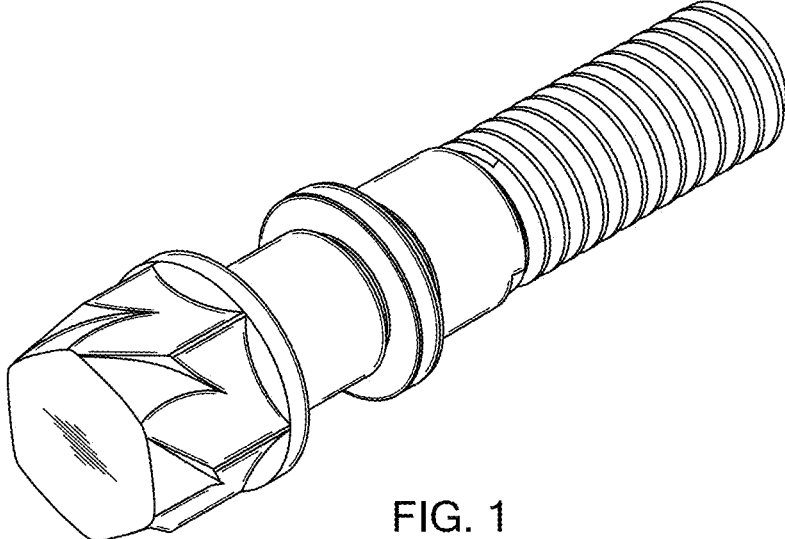


FIG. 1

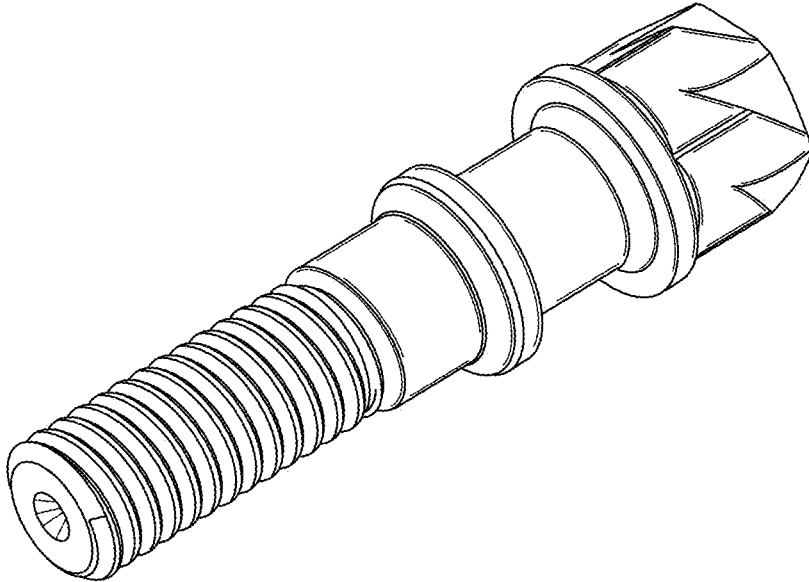


FIG. 2

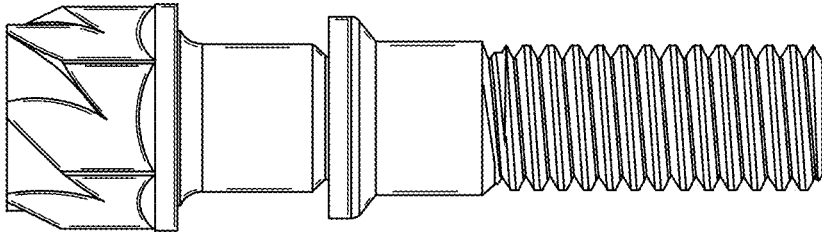


FIG. 3

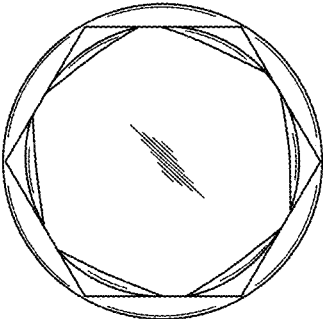


FIG. 4

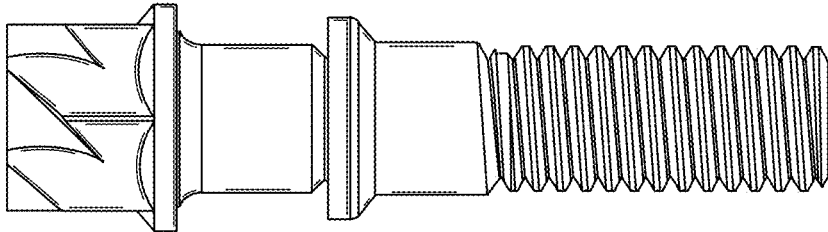


FIG. 5

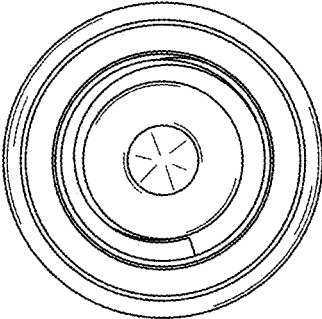


FIG. 6

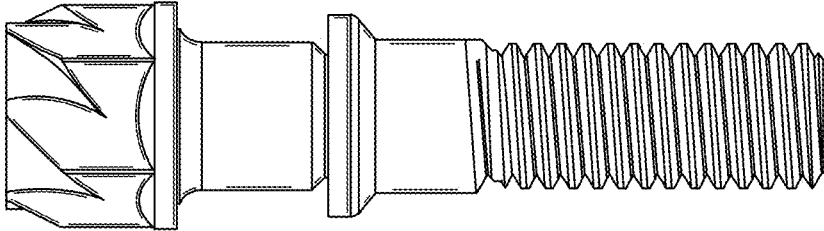


FIG. 7

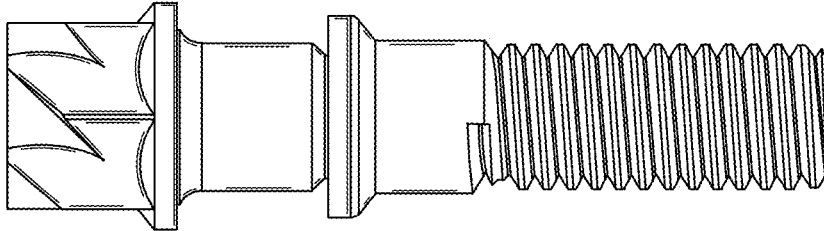


FIG. 8