

(19) World Intellectual Property Organization
International Bureau



(43) International Publication Date
24 April 2008 (24.04.2008)

PCT

(10) International Publication Number
WO 2008/049072 A3

- (51) International Patent Classification:
F21V 9/14 (2006.01)
- (21) International Application Number:
PCT/US2007/081820
- (22) International Filing Date: 18 October 2007 (18.10.2007)
- (25) Filing Language: English
- (26) Publication Language: English
- (30) Priority Data:
60/829,971 18 October 2006 (18.10.2006) US
- (71) Applicant (for all designated States except US): REAL D [US/US]; 100 North Crescent Drive, Suite 120, Beverly Hills, CA 90210 (US).
- (72) Inventors; and
- (75) Inventors/Applicants (for US only): ROBINSON, Michael, G. [GB/US]; 100 North Crescent Drive, Suite 120, Beverly Hills, CA 90210 (US). SHARP, Gary, D. [US/US]; 100 North Crescent Drive, Suite 120, Beverly Hills, CA 90210 (US). SCHUCK, Miller, H. [US/GB]; 100 North Crescent Drive, Suite 120, Beverly Hills, CA 90210 (US).
- (74) Agents: MOTHEW, Neil G. et al.; Baker & McKenzie LLP, 2001 Ross Avenue, Suite 2300, Dallas, TX 75201 (US).

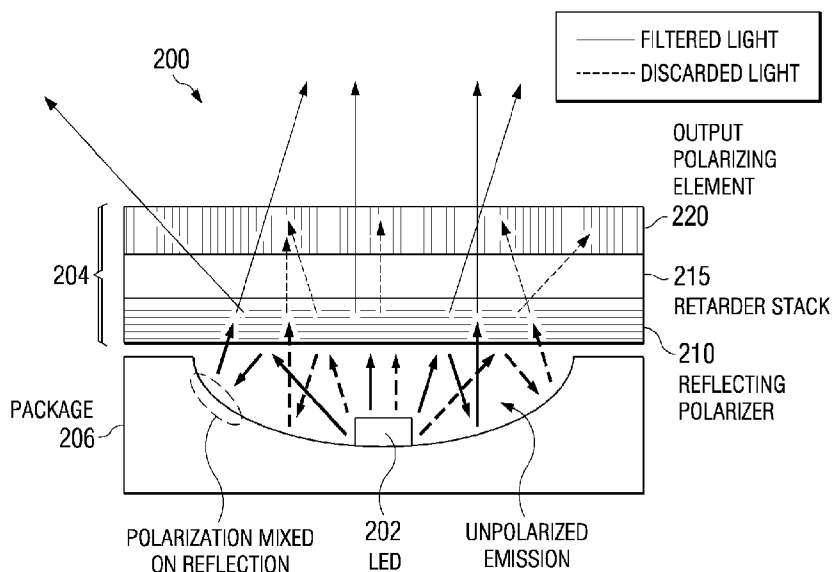
- (81) Designated States (unless otherwise indicated, for every kind of national protection available): AE, AG, AL, AM, AT, AU, AZ, BA, BB, BG, BH, BR, BW, BY, BZ, CA, CH, CN, CO, CR, CU, CZ, DE, DK, DM, DO, DZ, EC, EE, EG, ES, FI, GB, GD, GE, GH, GM, GT, HN, HR, HU, ID, IL, IN, IS, JP, KE, KG, KM, KN, KP, KR, KZ, LA, LC, LK, LR, LS, LT, LU, LY, MA, MD, ME, MG, MK, MN, MW, MX, MY, MZ, NA, NG, NI, NO, NZ, OM, PG, PH, PL, PT, RO, RS, RU, SC, SD, SE, SG, SK, SL, SM, SV, SY, TJ, TM, TN, TR, TT, TZ, UA, UG, US, UZ, VC, VN, ZA, ZM, ZW.
- (84) Designated States (unless otherwise indicated, for every kind of regional protection available): ARIPO (BW, GH, GM, KE, LS, MW, MZ, NA, SD, SL, SZ, TZ, UG, ZM, ZW), Eurasian (AM, AZ, BY, KG, KZ, MD, RU, TJ, TM), European (AT, BE, BG, CH, CY, CZ, DE, DK, EE, ES, FI, FR, GB, GR, HU, IE, IS, IT, LT, LU, LV, MC, MT, NL, PL, PT, RO, SE, SI, SK, TR), OAPI (BF, BJ, CF, CG, CI, CM, GA, GN, GQ, GW, ML, MR, NE, SN, TD, TG).

Declarations under Rule 4.17:

- as to applicant's entitlement to apply for and be granted a patent (Rule 4.17(ii))

[Continued on next page]

(54) Title: LED ILLUMINATOR FILTERS



(57) Abstract: Described are methods, systems and apparatuses that provide light sources to illuminate an LCD panel for a visual display. A light source includes a light emitting diode (LED) and a spectral filter. The spectral filter is operable to transmit a first set of spectral bands and block a second set of spectral bands from the LED. The spectral filter may be based on retarder stack technology or dichroic filter technology. Polarization and light recirculation techniques are disclosed and implementations into display systems described. These approaches are deemed useful for LED illuminated direct view color encoded stereoscopic systems based on LCD technology.

WO 2008/049072 A3



-
- *as to the applicant's entitlement to claim the priority of the earlier application (Rule 4.17(iii))* (88) **Date of publication of the international search report:** 10 July 2008
 - *of inventorship (Rule 4.17(iv))*

Published:

- *with international search report*

INTERNATIONAL SEARCH REPORT

International application No.

PCT/US 07/81820

A. CLASSIFICATION OF SUBJECT MATTER

IPC(8) - F21V 9/14 (2008.01)

USPC - 362/19

According to International Patent Classification (IPC) or to both national classification and IPC

B. FIELDS SEARCHED

Minimum documentation searched (classification system followed by classification symbols)

USPC: 362/19

Documentation searched other than minimum documentation to the extent that such documents are included in the fields searched

USPC: 362/19, 612; 359/246, 283, 362 (text searched)

Electronic data base consulted during the international search (name of data base and, where practicable, search terms used)

PubWEST(USPT,PGPB,EPAB,JPAB); Google Scholar

Search Terms - retarder, LED, polarizing, spectral, liquid crystal switch

C. DOCUMENTS CONSIDERED TO BE RELEVANT

| Category* | Citation of document, with indication, where appropriate, of the relevant passages | Relevant to claim No. |
|-----------|----------------------------------------------------------------------------------------------------------------------------------------------------------------------|-----------------------|
| Y | US 6,452,646 B1 (SHARP et al.) 17 September 2002 (17.09.2002), entire document, especially col. 1, ln. 29-31; col. 5, ln. 60-62; and col. 5, ln. 45-47 and Figure 2a | 1-25 |
| Y | US 2005/0265035 A1 (BRASS et al.) 01 December 2005 (01.12.2005), entire document, especially para. [0162] and [0109] | 1-25 |
| A | US 2006/0203352 A1 (PASHLEY) 14 September 2006 (14.09.2006), entire document, especially Abstract | 1-25 |

Further documents are listed in the continuation of Box C.

* Special categories of cited documents:

"A" document defining the general state of the art which is not considered to be of particular relevance

"E" earlier application or patent but published on or after the international filing date

"L" document which may throw doubts on priority claim(s) or which is cited to establish the publication date of another citation or other special reason (as specified)

"O" document referring to an oral disclosure, use, exhibition or other means

"P" document published prior to the international filing date but later than the priority date claimed

"T" later document published after the international filing date or priority date and not in conflict with the application but cited to understand the principle or theory underlying the invention

"X" document of particular relevance; the claimed invention cannot be considered novel or cannot be considered to involve an inventive step when the document is taken alone

"Y" document of particular relevance; the claimed invention cannot be considered to involve an inventive step when the document is combined with one or more other such documents, such combination being obvious to a person skilled in the art

"&" document member of the same patent family

Date of the actual completion of the international search

07 March 2008 (07.03.2008)

Date of mailing of the international search report

25 APR 2008

Name and mailing address of the ISA/US

Mail Stop PCT, Attn: ISA/US, Commissioner for Patents

P.O. Box 1450, Alexandria, Virginia 22313-1450

Facsimile No. 571-273-3201

Authorized officer:

Lee W. Young

PCT Helpdesk: 571-272-4300

PCT OSP: 571-272-7774