

(12) **United States Design Patent** (10) **Patent No.:** **US D785,161 S**  
**Dravitzki et al.** (45) **Date of Patent:** **\*\* Apr. 25, 2017**

(54) **ELBOW COMPONENT FOR RESPIRATORY MASK**

- (71) Applicant: **RESMED LIMITED**, Bella Vista, New South Wales (AU)
- (72) Inventors: **Brent James Dravitzki**, Sydney (AU); **Angelene Marie Ozolins**, Sydney (AU); **Robert Thomas Burnham**, Sydney (AU); **Lemmy Nga**, Sydney (AU)
- (73) Assignee: **ResMed Limited**, Bella Vista (AU)
- (\*\*) Term: **15 Years**
- (21) Appl. No.: **29/538,732**
- (22) Filed: **Sep. 8, 2015**

**Related U.S. Application Data**

- (60) Division of application No. 29/506,186, filed on Oct. 14, 2014, now Pat. No. Des. 740,934, which is a continuation of application No. 29/471,497, filed on Nov. 1, 2013, which is a division of application No. (Continued)

- (51) **LOC (10) Cl.** ..... **29-02**
- (52) **U.S. Cl.**  
 USPC ..... **D24/110.4; D24/110.5; D24/127**
- (58) **Field of Classification Search**  
 USPC ..... **D24/110-110.6, 127, 164**  
 CPC ..... **A61M 16/0622; A61M 16/0616; A61M 16/0816; A61M 16/08; A61M 16/0633; A61M 16/06; A61M 16/0666; A61M 16/0683**

See application file for complete search history.

(56) **References Cited**

**U.S. PATENT DOCUMENTS**

- |             |        |          |
|-------------|--------|----------|
| 5,191,882 A | 3/1993 | Vogliano |
| D383,204 S  | 9/1997 | Lomas    |
| 5,785,058 A | 7/1998 | Reynolds |
- (Continued)

**OTHER PUBLICATIONS**

- Parent; U.S. Appl. No. 29/506,186, filed Oct. 14, 2014; Formica et al.
- U.S. Appl. No. 29/506,186, filed Nov. 1, 2013; Formica et al.
- Primary Examiner* — Barbara Fox  
*Assistant Examiner* — Lilyana Bekic  
 (74) *Attorney, Agent, or Firm* — Nixon & Vanderhye P.C.

(57) **CLAIM**

The ornamental design for an elbow component for respiratory mask, as shown and described.

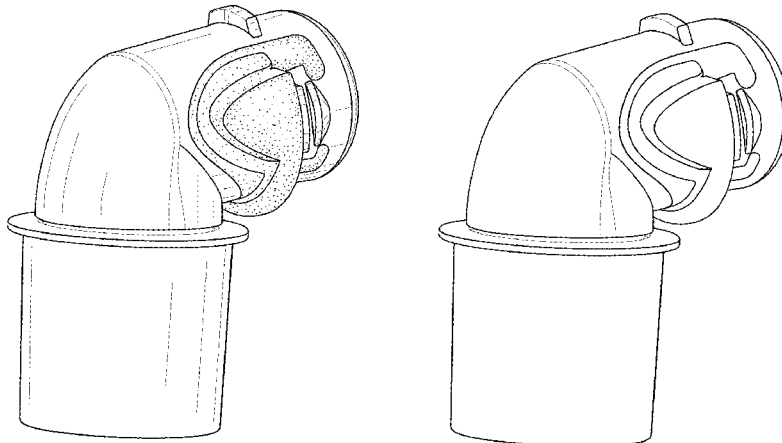
**DESCRIPTION**

FIG. 1 is a perspective view of an elbow component for respiratory mask according to a first embodiment of our design;  
 FIG. 2 is a front view thereof;  
 FIG. 3 is a rear view thereof;  
 FIG. 4 is a top view thereof;  
 FIG. 5 is a bottom view thereof;  
 FIG. 6 is a left side view thereof with the right side view thereof being a mirror image thereof;  
 FIG. 7 is a perspective view of an elbow component for respiratory mask according to a second embodiment of our design;  
 FIG. 8 is a front view thereof;  
 FIG. 9 is a rear view thereof;  
 FIG. 10 is a top view thereof;  
 FIG. 11 is a bottom view thereof; and,  
 FIG. 12 is a left side view thereof with the right side view thereof being a mirror image thereof.

The broken lines in the drawings illustrate portions of the elbow component for respiratory mask that form no part of the claimed design.

Stippling and line shading have been used in the drawings to indicate a contrast in appearance.

**1 Claim, 4 Drawing Sheets**



# US D785,161 S

**Related U.S. Application Data**

29/371,008, filed on Sep. 10, 2010, now Pat. No. Des. 695,887.

(56)

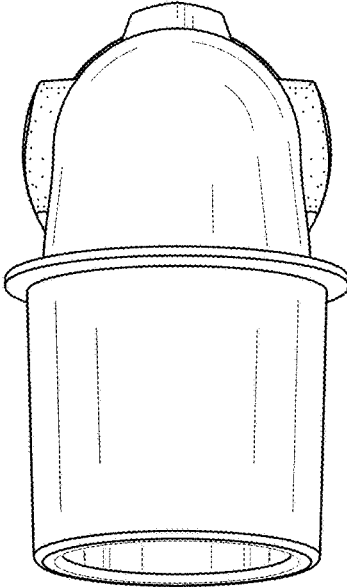
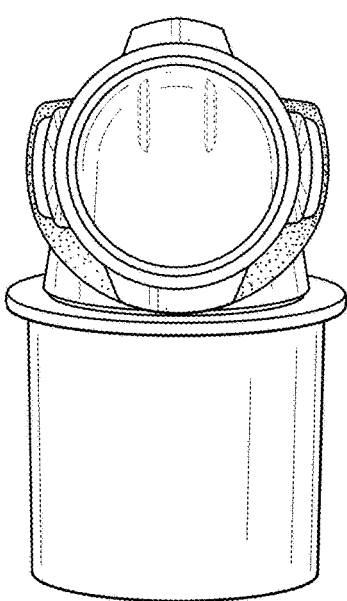
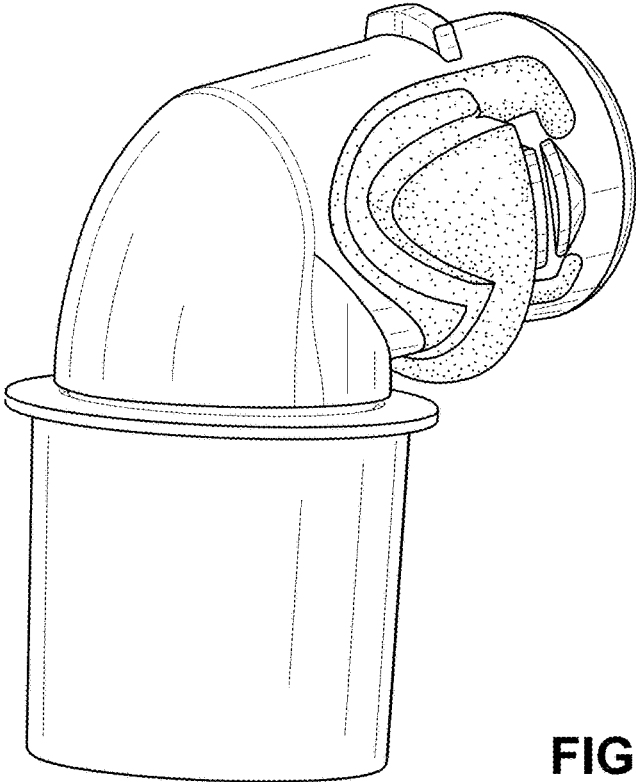
**References Cited**

U.S. PATENT DOCUMENTS

6,119,694	A	9/2000	Correa et al.	
D433,127	S	10/2000	Gazzara	
D440,652	S	4/2001	Pollard	
6,422,238	B1	7/2002	Lithgow	
D496,098	S *	9/2004	Guney .....	D24/110.1
D532,511	S	11/2006	Amarasinghe	
7,509,958	B2	3/2009	Amarasinghe et al.	
D637,283	S *	5/2011	Selvarajan .....	D24/110.1
8,393,327	B2	3/2013	Omura et al.	
8,517,023	B2	8/2013	Henry	
8,522,784	B2	9/2013	Ng et al.	
D695,887	S	12/2013	Ozolins et al.	
8,695,601	B2	4/2014	Hitchcock et al.	
D751,188	S *	3/2016	Skipper .....	D24/110.4
2002/0023650	A1 *	2/2002	Gunaratnam .....	A61M 16/06 128/205.25
2002/0026934	A1	3/2002	Lithgow et al.	
2002/0174868	A1	11/2002	Kwok et al.	
2004/0065328	A1	4/2004	Amarasinghe et al.	
2004/0065330	A1	4/2004	Landis	
2004/0118406	A1 *	6/2004	Lithgow .....	A61M 16/06 128/206.24

2006/0266365	A1 *	11/2006	Stallard .....	A61M 16/06 128/207.13
2006/0283461	A1	12/2006	Lubke et al.	
2007/0125385	A1 *	6/2007	Ho .....	A61M 16/06 128/206.26
2008/0047561	A1 *	2/2008	Fu .....	A61M 16/08 128/207.12
2008/0083412	A1 *	4/2008	Henry .....	A61M 16/0683 128/207.11
2009/0173343	A1	7/2009	Omura et al.	
2010/0006101	A1	1/2010	Mcauley et al.	
2010/0031963	A1	2/2010	Lee et al.	
2012/0055478	A1	3/2012	Wilkinson	
2012/0138063	A1	6/2012	Eves et al.	
2014/0130803	A1	5/2014	Feldhahn et al.	
2014/0261422	A1 *	9/2014	Lang .....	A61M 16/0051 128/204.21
2014/0261427	A1 *	9/2014	Foote .....	A61M 16/0069 128/204.23
2014/0264975	A1 *	9/2014	Bath .....	A61M 16/0051 261/141
2015/0059755	A1 *	3/2015	Bassin .....	A61B 5/4818 128/204.23
2015/0128941	A1 *	5/2015	Holley .....	A61M 16/0051 128/203.14
2016/0239626	A1 *	8/2016	Buckley .....	A61M 16/00
2016/0256660	A1 *	9/2016	Austin .....	A61M 16/0627

\* cited by examiner



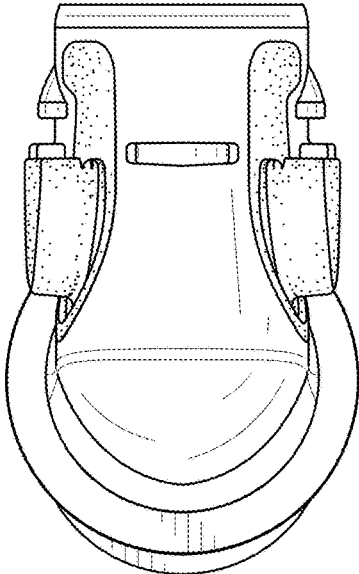


FIG. 4

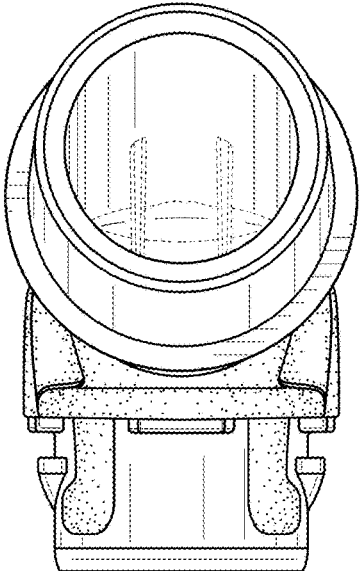


FIG. 5

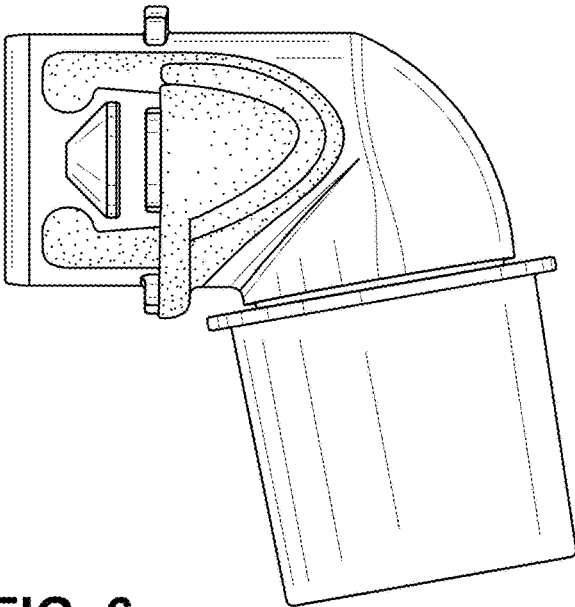


FIG. 6

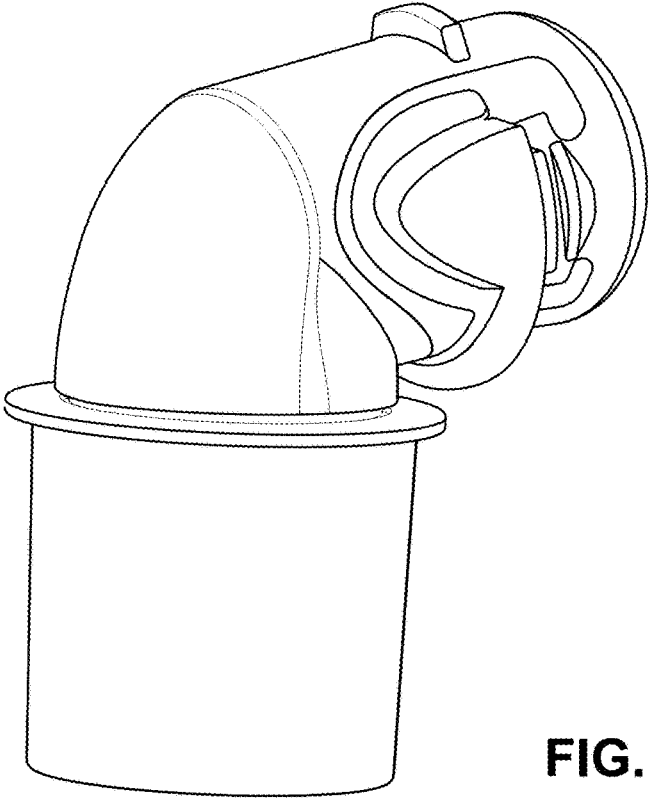


FIG. 7

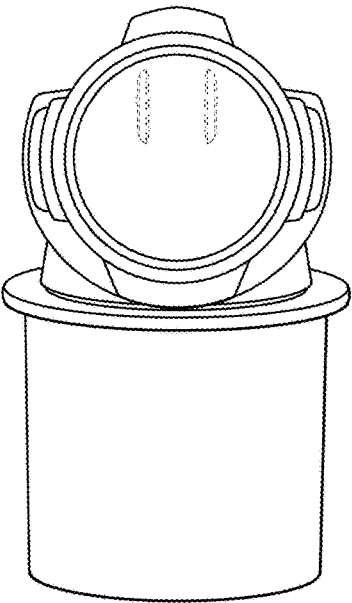


FIG. 8

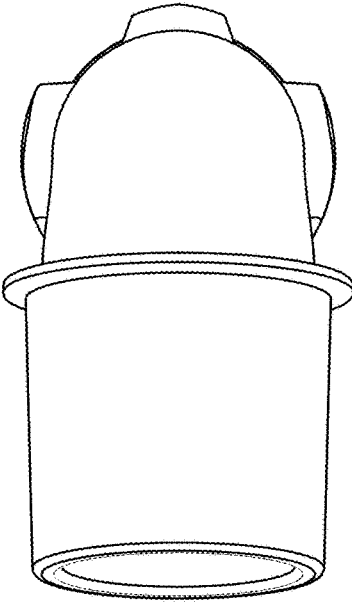
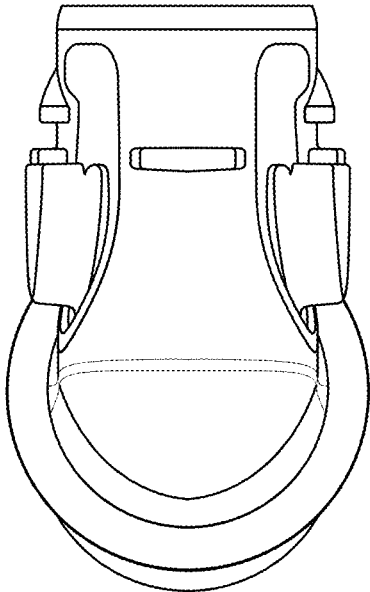
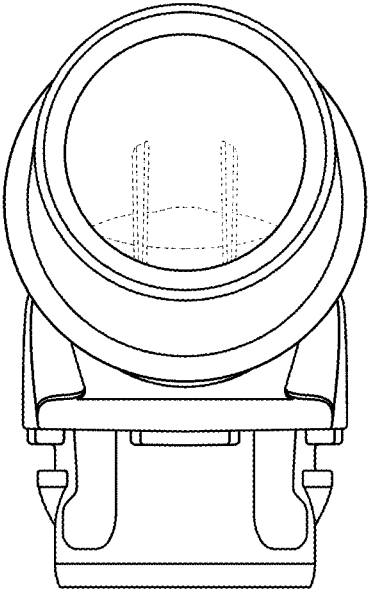


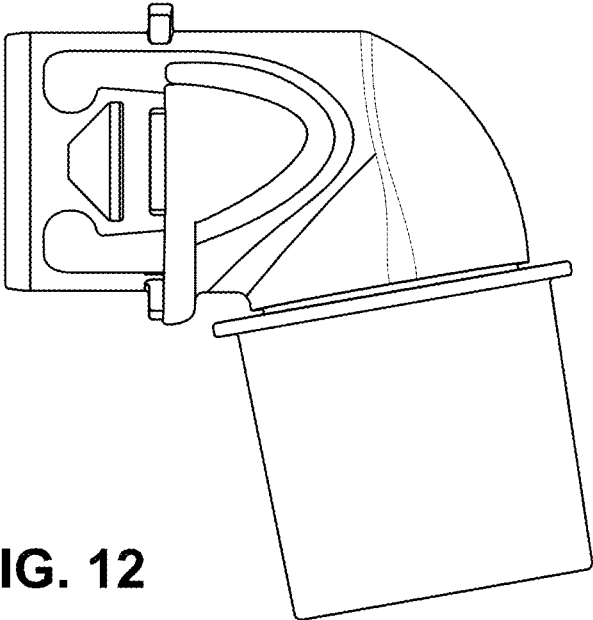
FIG. 9



**FIG. 10**



**FIG. 11**



**FIG. 12**