



US00D737066S

(12) **United States Design Patent**  
**Lovley, II et al.**

(10) **Patent No.:** **US D737,066 S**

(45) **Date of Patent:** **\*\* Aug. 25, 2015**

(54) **CHAIR WITH INTEGRATED SHADE COVER**

(71) Applicant: **BRAVO SPORTS**, Santa Fe Springs,  
CA (US)

(72) Inventors: **Jack B. Lovley, II**, Lake Forest, CA  
(US); **Joseph C. Klingl**, Los Angeles,  
CA (US)

(73) Assignee: **Bravo Sports**, Santa Fe Springs, CA  
(US)

(\*\*) Term: **14 Years**

(21) Appl. No.: **29/484,192**

(22) Filed: **Mar. 6, 2014**

(51) **LOC (10) Cl.** ..... **06-01**

(52) **U.S. Cl.**

USPC ..... **D6/368**

(58) **Field of Classification Search**

USPC ..... D6/334-336, 360-381, 716,  
D6/716.1-716.4, 716.8; 135/90, 96, 154;  
297/16.1, 16.2, 45, 46, 55-57, 184.1,  
297/184.11, 184.15, 184.16, 184.17,  
297/440.11, 452.13  
CPC ..... A01K 97/01; A45B 11/00; A47C 1/14;  
A47C 1/143; A47C 4/00; A47C 4/28; A47C  
4/30; A47C 4/38; A47C 4/42; A47C 4/52;  
A47C 4/286; A47C 7/66; A47C 7/282;  
B60N 2/6009; F16M 11/38

See application file for complete search history.

(56) **References Cited**

**U.S. PATENT DOCUMENTS**

5,203,363 A \* 4/1993 Kidwell et al. .... 135/90  
D494,769 S \* 8/2004 Vigneaud ..... D6/368  
6,789,557 B1 \* 9/2004 Wahl, Jr. .... 135/154  
7,243,990 B1 \* 7/2007 Wahl ..... 297/184.15  
7,527,331 B2 \* 5/2009 Fargason, III ..... 297/184.15  
D612,624 S \* 3/2010 Lovley et al. .... D6/368  
7,753,063 B1 \* 7/2010 Laws ..... 135/96

8,091,962 B2 \* 1/2012 Quinn ..... 297/184.16  
8,186,755 B2 \* 5/2012 Lovley ..... 297/184.15  
2004/0178665 A1 \* 9/2004 May ..... 297/16.1  
2007/0018486 A1 \* 1/2007 Ayers et al. .... 297/184.15  
2007/0040422 A1 \* 2/2007 Reeb et al. .... 297/184.1  
2009/0218856 A1 \* 9/2009 Sykes et al. .... 297/184.15

**FOREIGN PATENT DOCUMENTS**

JP 201216348 Y 4/2009

\* cited by examiner

*Primary Examiner* — Ricky Pham

(74) *Attorney, Agent, or Firm* — Knobbe Martens Olson &  
Bear, LLP

(57) **CLAIM**

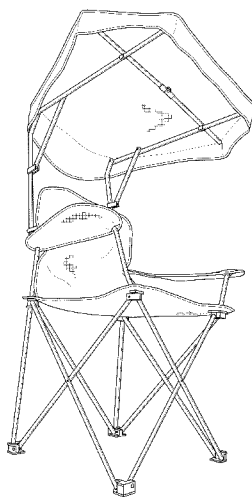
The ornamental design for a chair with integrated shade cover, as shown and described.

**DESCRIPTION**

FIG. 1 is a bottom-oriented perspective view showing a bottom surface of a chair with integrated shade cover.  
FIG. 2 is a top-oriented perspective view showing a top surface of a chair with integrated shade cover of FIG. 1.  
FIG. 3 is a front view of the chair with integrated shade cover of FIG. 1.  
FIG. 4 is a rear view of the chair with integrated shade cover of FIG. 1.  
FIG. 5 is a left side view of the chair with integrated shade cover of FIG. 1.  
FIG. 6 is a right side view of the chair with integrated shade cover of FIG. 1.  
FIG. 7 is a top view of the chair with integrated shade cover of FIG. 1; and,  
FIG. 8 is a bottom view of the chair with integrated shade cover of FIG. 1.

Where utilized, the broken lines show portions of the chair with integrated shade cover that form no part of the claimed design.

**1 Claim, 8 Drawing Sheets**



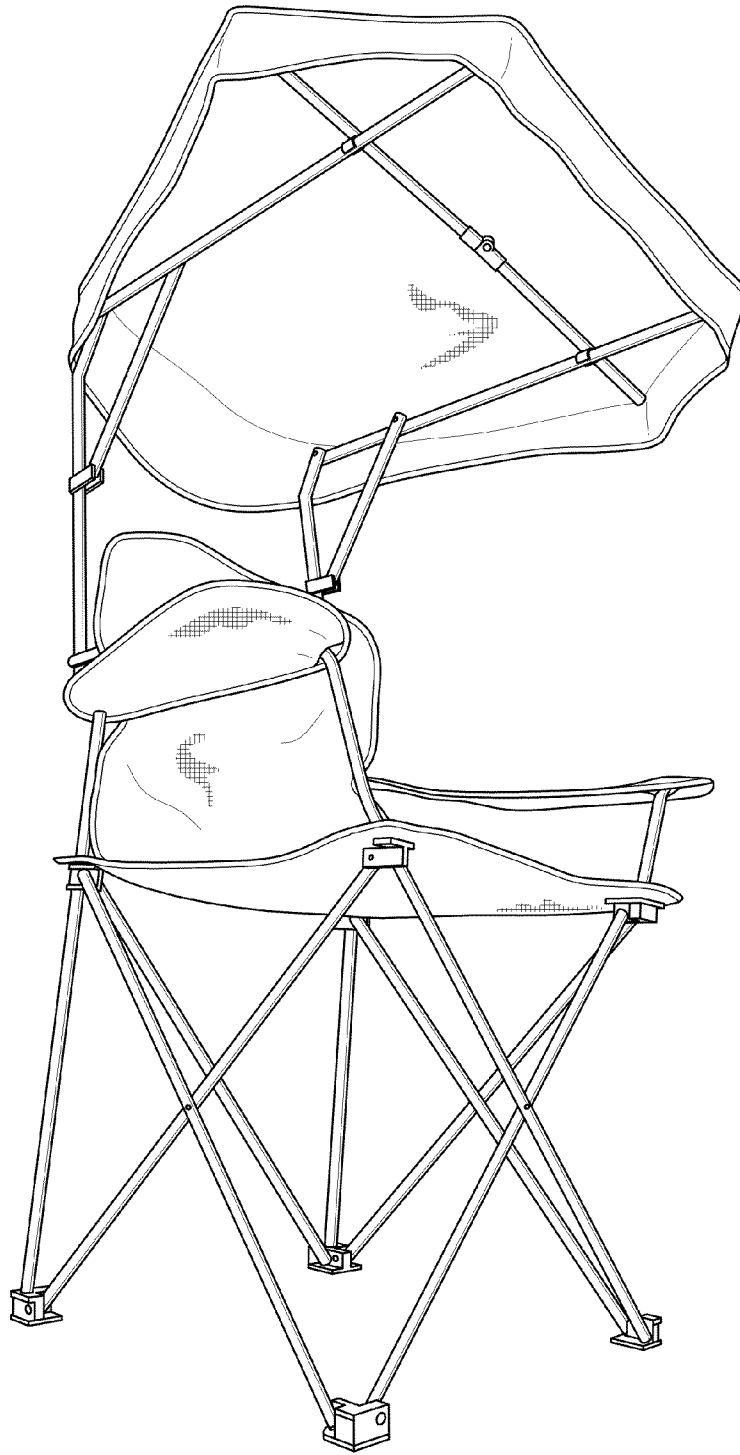


FIG. 1

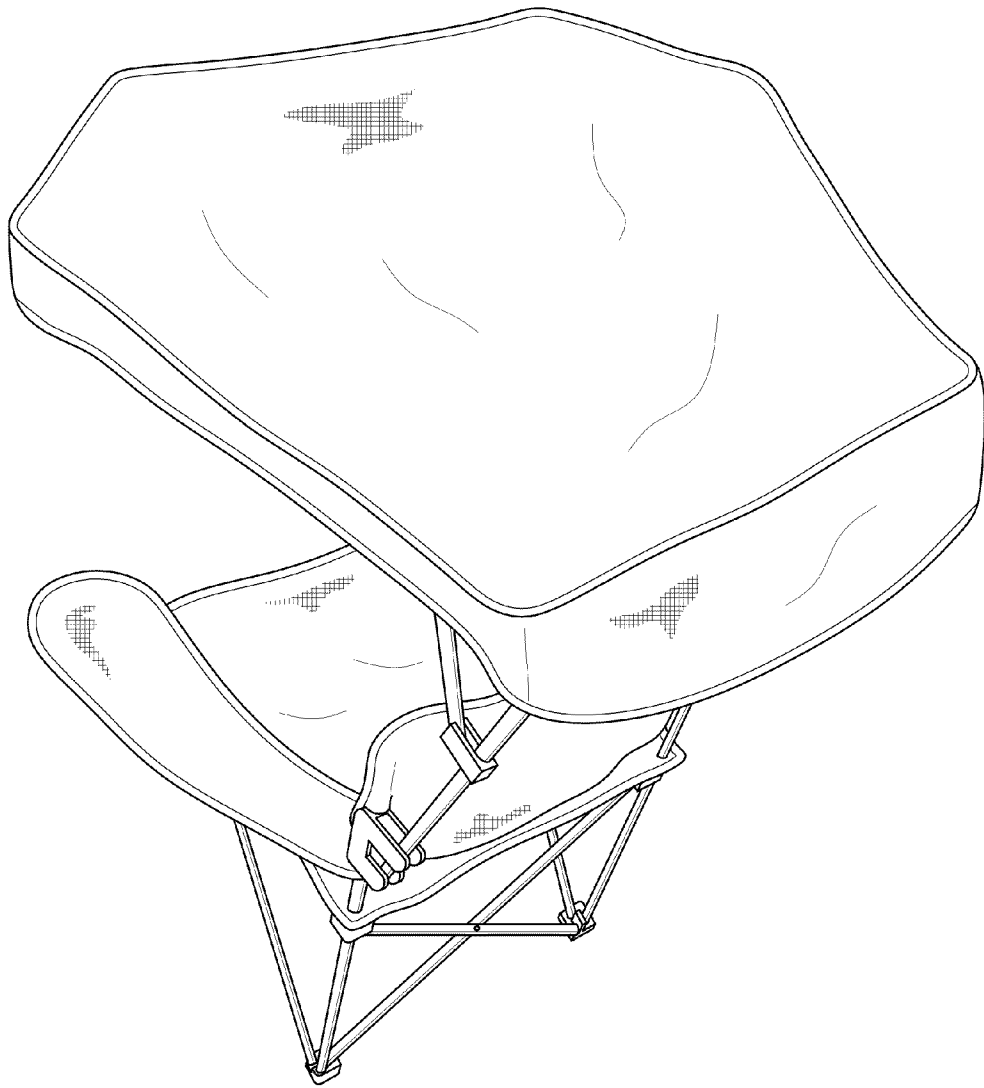


FIG. 2

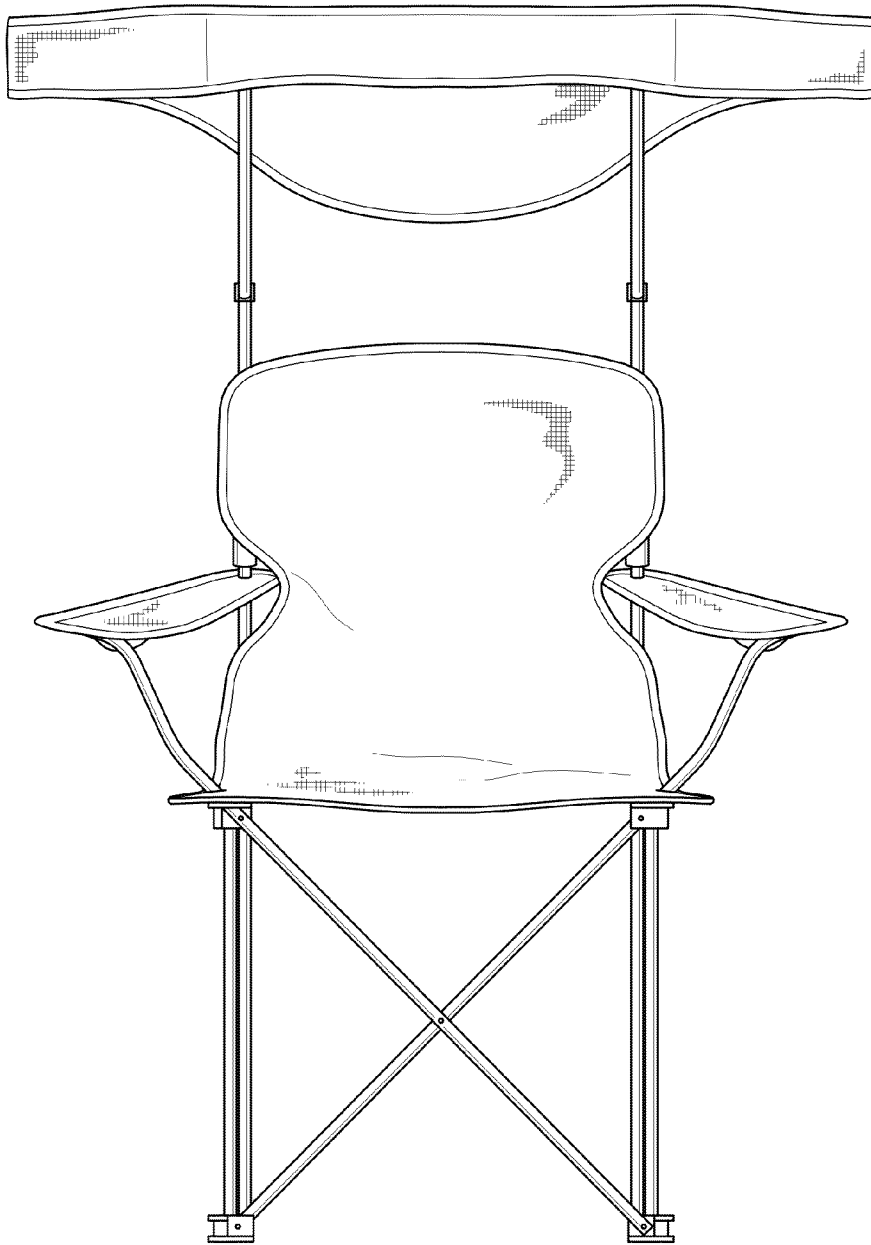


FIG. 3

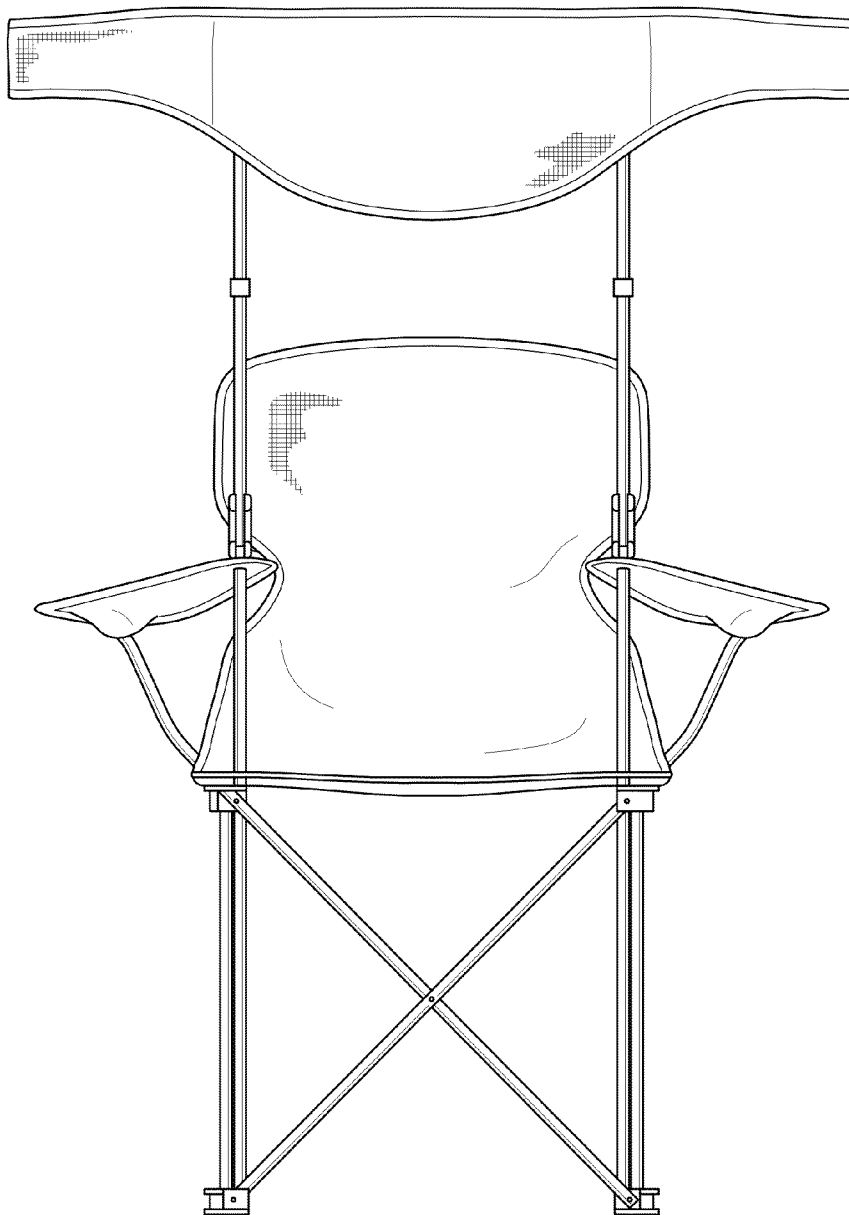


FIG. 4

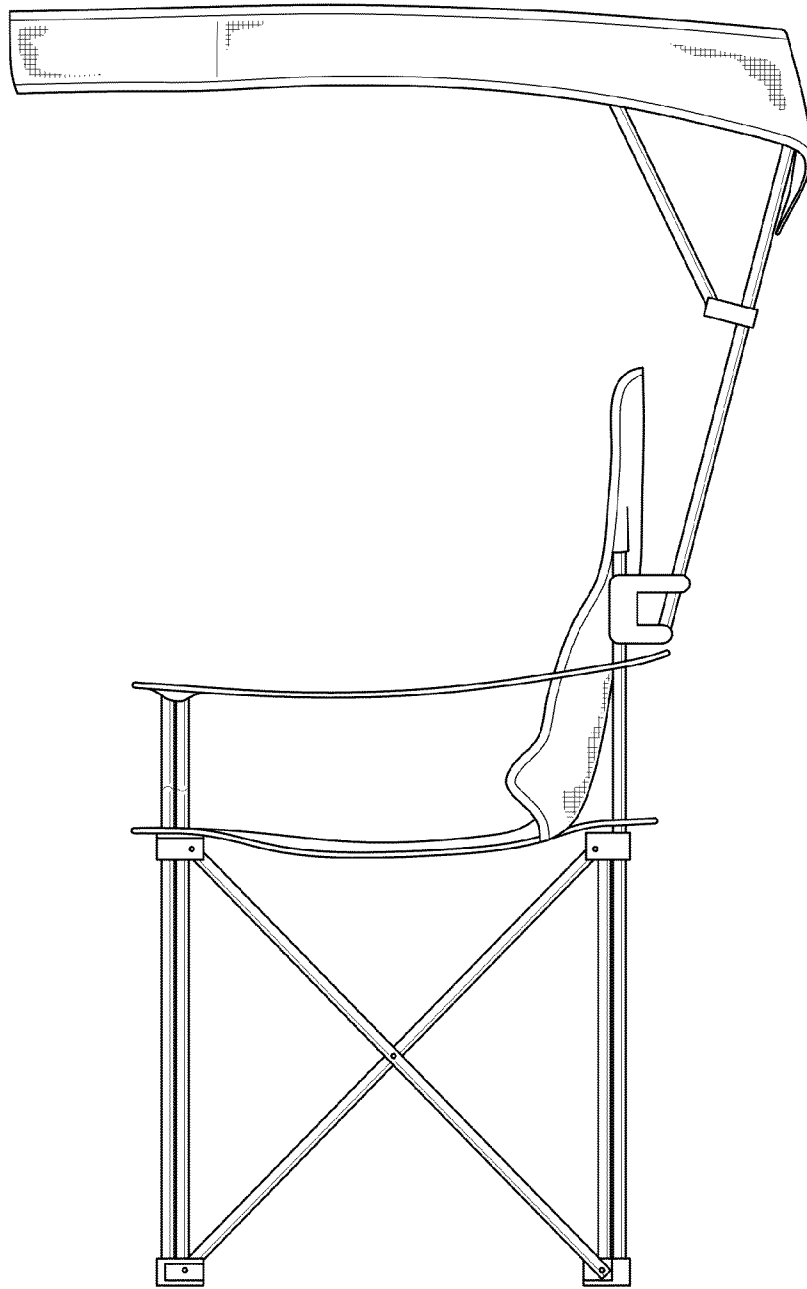


FIG. 5

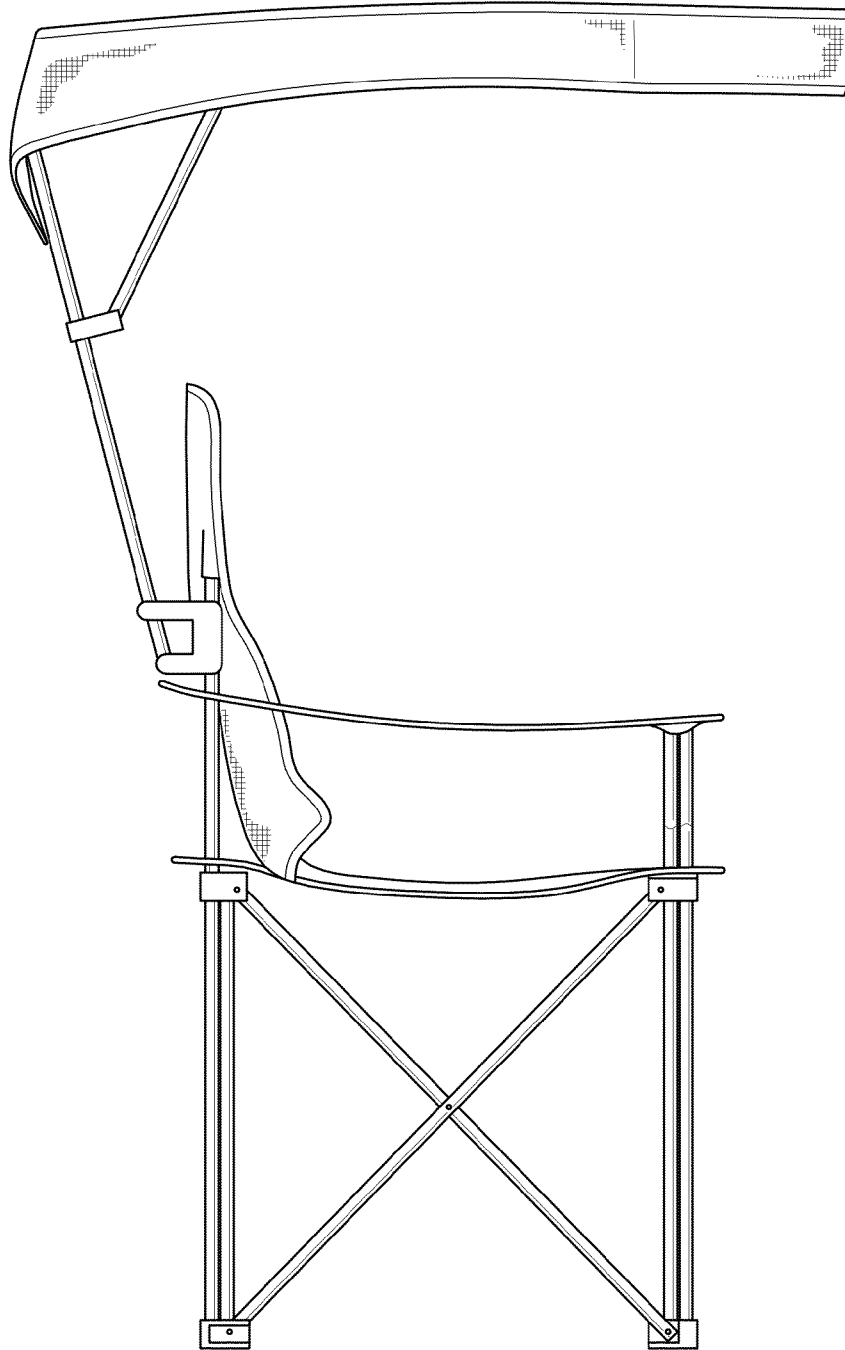


FIG. 6

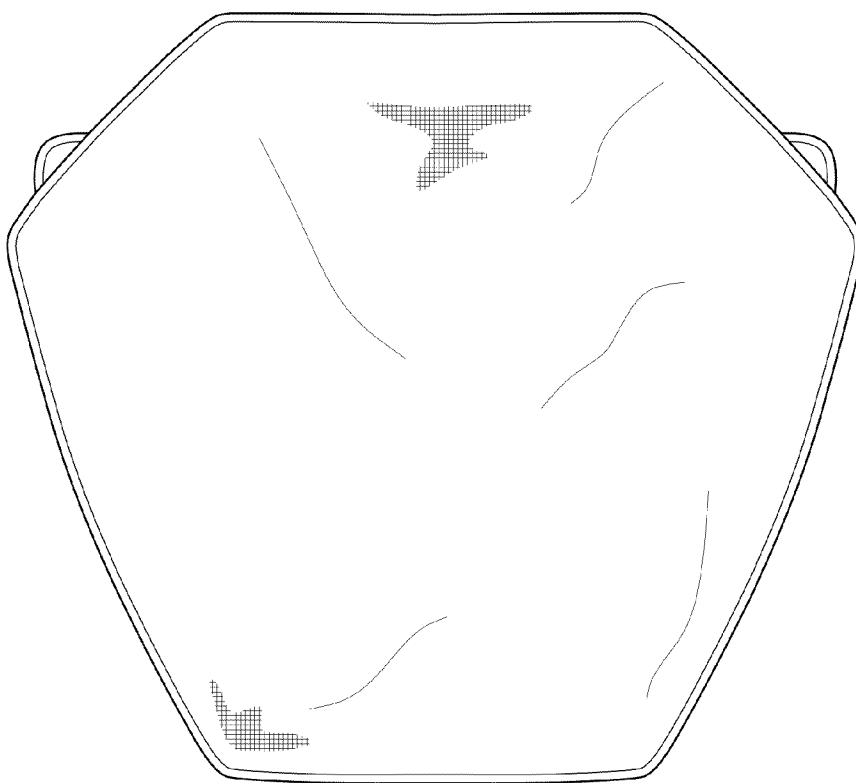


FIG. 7



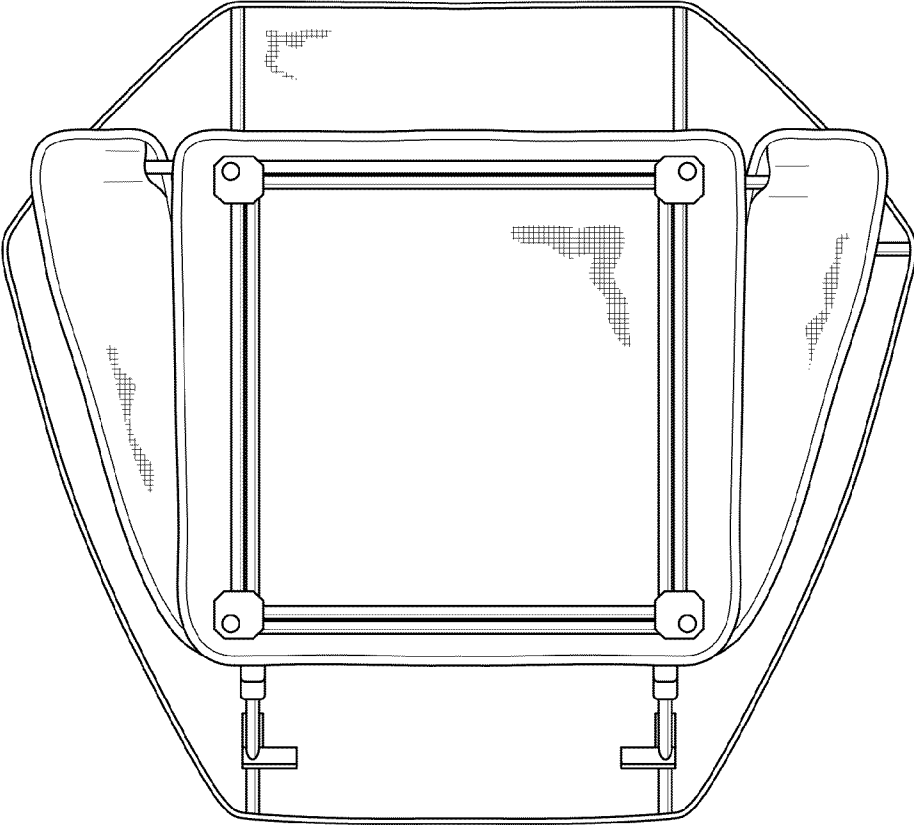


FIG. 8