



(12) **United States Design Patent**
Bacinska et al.

(10) **Patent No.:** **US D1,011,516 S**
(45) **Date of Patent:** **** Jan. 16, 2024**

(54) **FACE MASK**

FOREIGN PATENT DOCUMENTS

(71) Applicant: **Honeywell International Inc.**,
Charlotte, NC (US)

CN 306472035 * 4/2021
CN 307613016 * 10/2022

(72) Inventors: **Jana Bacinska**, Brno (CZ); **Daniel Yee**,
Santa Margarita, CA (US); **Mark**
Peurifoy, Phoenix, AZ (US); **Marie K.**
Hammer, Smithfield, RI (US); **Sayanti**
Basu, Fort Mill, SC (US); **José Antonio**
Fosado Rodríguez, Santa Bárbara
(MX); **Alex Rochat**, Ames, IA (US)

OTHER PUBLICATIONS

“Gill: Eco-Friendly Reusable Half Mask Respirator.” Found online
at Amazon.com. Aug. 11, 2022. Reference dated Oct. 28, 2020.
Retrieved from <https://www.amazon.com/Eco-Friendly-Reusable-Respirator-Adjustable-Disposable/dp/B08BHSDMF9?th=1>.*

(Continued)

(73) Assignee: **HONEYWELL INTERNATIONAL**
INC., Charlotte, NC (US)

Primary Examiner — Leanne Was-Englehart
Assistant Examiner — Elizabeth S Struble

(**) Term: **15 Years**

(74) *Attorney, Agent, or Firm* — ALSTON & BIRD LLP

(21) Appl. No.: **29/776,723**

(57) **CLAIM**

We claim the ornamental design for a face mask, as shown
and described.

(22) Filed: **Mar. 31, 2021**

(51) **LOC (14) Cl.** **29-02**

(52) **U.S. Cl.**
USPC **D24/110.1**

(58) **Field of Classification Search**
USPC D24/110.1, 110.2, 110.3, 110.4, 110.5,
D24/110.6, 127, 128, 164; D29/108, 110,
D29/111, 129; D2/865, 866, 867, 874,
D2/878, 881, 891
CPC A62B 7/10; A62B 18/00; A62B 23/02;
A41D 13/11; A41D 13/1107; A41D
13/113; A41D 31/14; A41D 2600/10;
A61M 16/06; A42B 3/20; A42V 1/046
See application file for complete search history.

DESCRIPTION

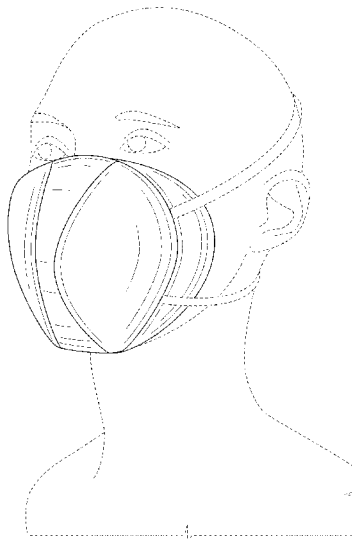
FIG. 1 is a front, right perspective view of a face mask
showing the new design in a condition of use shown worn
by a model;
FIG. 2 is a rear, left perspective view thereof in a condition
of use shown worn by a model;
FIG. 3 is a front elevation view of the face mask;
FIG. 4 is a rear elevation view thereof;
FIG. 5 is a left side elevation view thereof;
FIG. 6 is a right side elevation view thereof;
FIG. 7 is a top plan view thereof; and,
FIG. 8 is a bottom plan view thereof.
In the drawings, the equal-length broken lines showing a
mask and straps depict portions of the face mask that form
no part of the claimed design. The equal-length broken lines
in FIGS. 1 and 2 showing a human head depict environ-
mental structure that forms no part of the claimed design. All
broken lines form no part of the claimed design.

(56) **References Cited**

U.S. PATENT DOCUMENTS

2,578,007 A * 12/1951 Hill A41D 13/11
55/DIG. 35
D273,145 S * 3/1984 Ponsi D24/110.1
(Continued)

1 Claim, 8 Drawing Sheets



(56)

References Cited

U.S. PATENT DOCUMENTS

4,827,924 A * 5/1989 Japuntich A41D 13/1138
128/206.16

6,055,982 A 5/2000 Brunson et al.

D567,937 S * 4/2008 Gerson D24/110.1

D773,121 S * 11/2016 Yuan D29/108

D777,988 S * 1/2017 Miros D29/108

D844,253 S * 3/2019 Cho D29/108

D868,960 S * 12/2019 Tu D24/110.1

2007/0215160 A1* 9/2007 Viljanen A41D 13/11
128/205.27

2015/0173436 A1 6/2015 Tsuei

2015/0314148 A1* 11/2015 Waterford A62B 23/025
128/863

2016/0317848 A1* 11/2016 Zilberstein A62B 18/025

2017/0252590 A1* 9/2017 Angadjivand A62B 23/025

2019/0090558 A1* 3/2019 Xu A41D 13/1176

2020/0289777 A1 9/2020 Bearne et al.

OTHER PUBLICATIONS

“Parcil: AG-100 Half Face Respirator Mask.” Found online at Amazon.com Aug. 11, 2022. Reference dated Dec. 29, 2020. Retrieved from <https://www.amazon.com/AG-100-Half-Face-Respirator-Woodworking/dp/B08RLW2NGZ>.*

“Tesoro Moda: Reusable Respirator Mask.” Found online at Amazon.com. Jan. 9, 2023. Reference dated Nov. 10, 2020. Retrieved from <https://www.amazon.com/dp/B08GZRFXP9/>.*

“Trend: Stealth Air Stealth Reusable Respirator Half Mask.” Found online at Amazon.com Jan. 9, 2023. Reference dated May 22, 2018. Retrieved from <https://www.amazon.com/Trend-STEALTH-ML-Medium-Large/dp/B077TX6TRX/>.*

“Biomaster Antimicrobial Face Mask Straps.” Zest Promotional, Jul. 20, 2020, www.zestpromotional.com/product/lifestyle/health-personal-care/face-masks/biomaster-antimicrobial-face-mask-straps.

Dsptch. “Face Covering—Black.” Dsptch, www.dsptch.com/products/face-covering-black. Accessed Jun. 14, 2021.

Ford, Megan. “Nurses to Access Clear Face Masks to Improve Communication.” Nursing Times, Sep. 15, 2020, www.nursingtimes.net/news/coronavirus/nurses-to-access-clear-face-masks-to-improve-communication-09-09-2020.

Tara Slevin Group. “Face Mask Antimicrobial Strap.” Feb. 26, 2021, www.taraslevingroup.ie/product/face-mask-antimicrobial-strap.

Wxyz Web Team. “Ford Designs Clear Mask with Plans to Meet N95 Standards to Help Hearing Impaired.” WXYZ Detroit, Feb. 4, 2021, www.wxyz.com/news/ford-designs-clear-mask-with-plans-to-meet-n95-standards-to-help-hearing-impaired.

CN Office Action dated Jul. 5, 2023 for CN Application No. 202130657697, 1 page(s).

English Translation of CN Office Action dated Jul. 5, 2023 for CN Application No. 202130657697, 1 page(s).

* cited by examiner

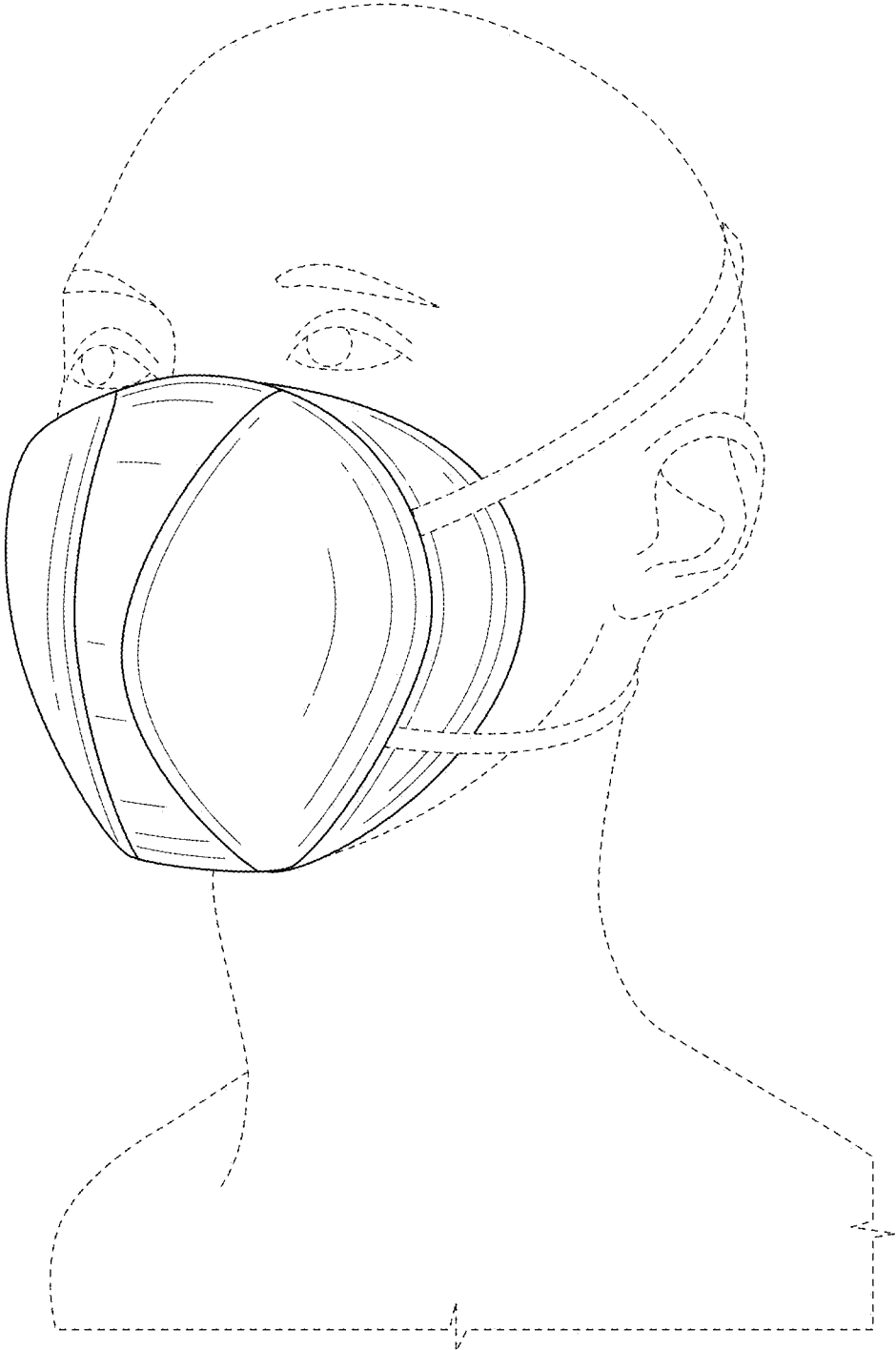


FIG. 1

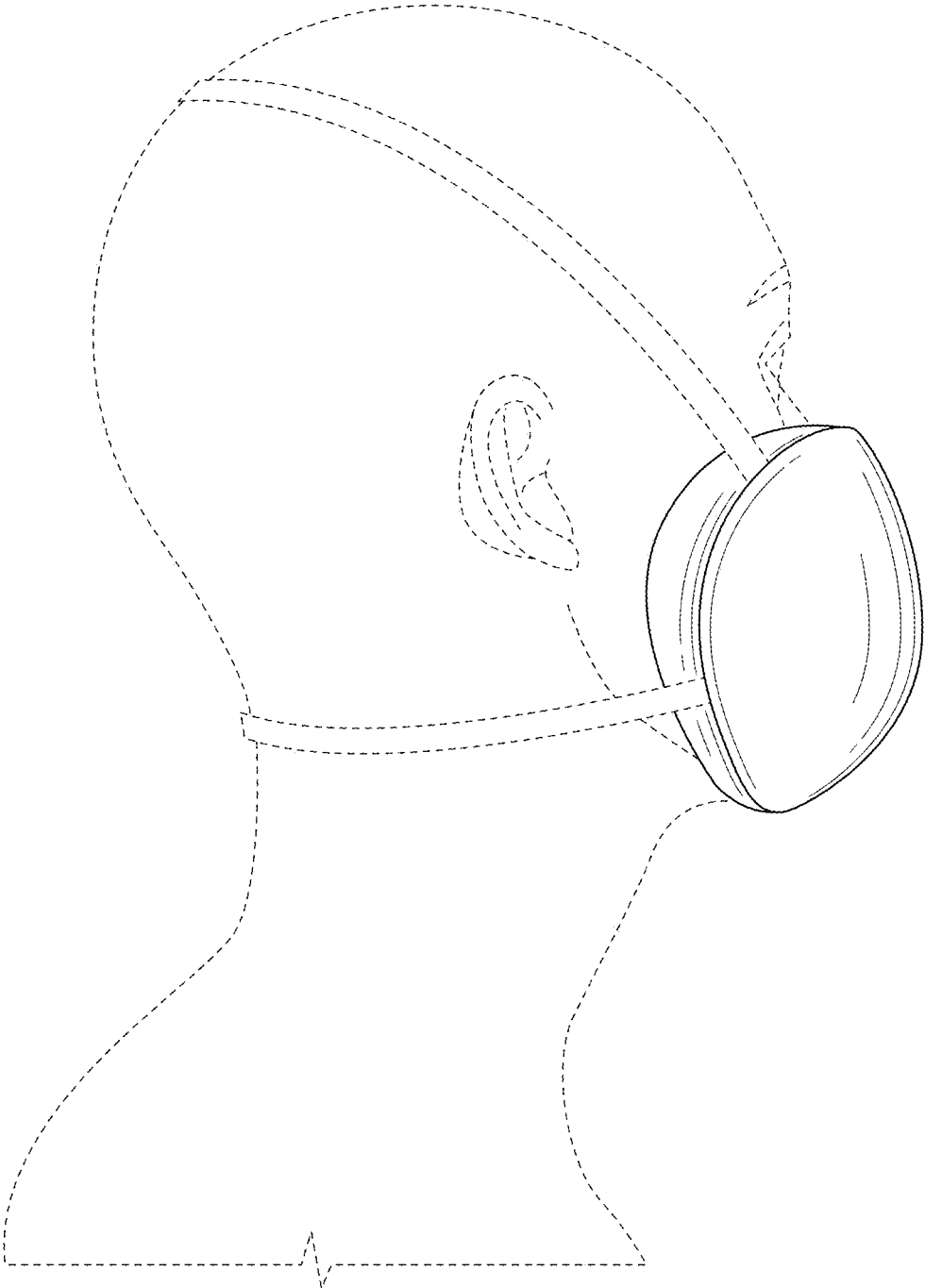


FIG. 2

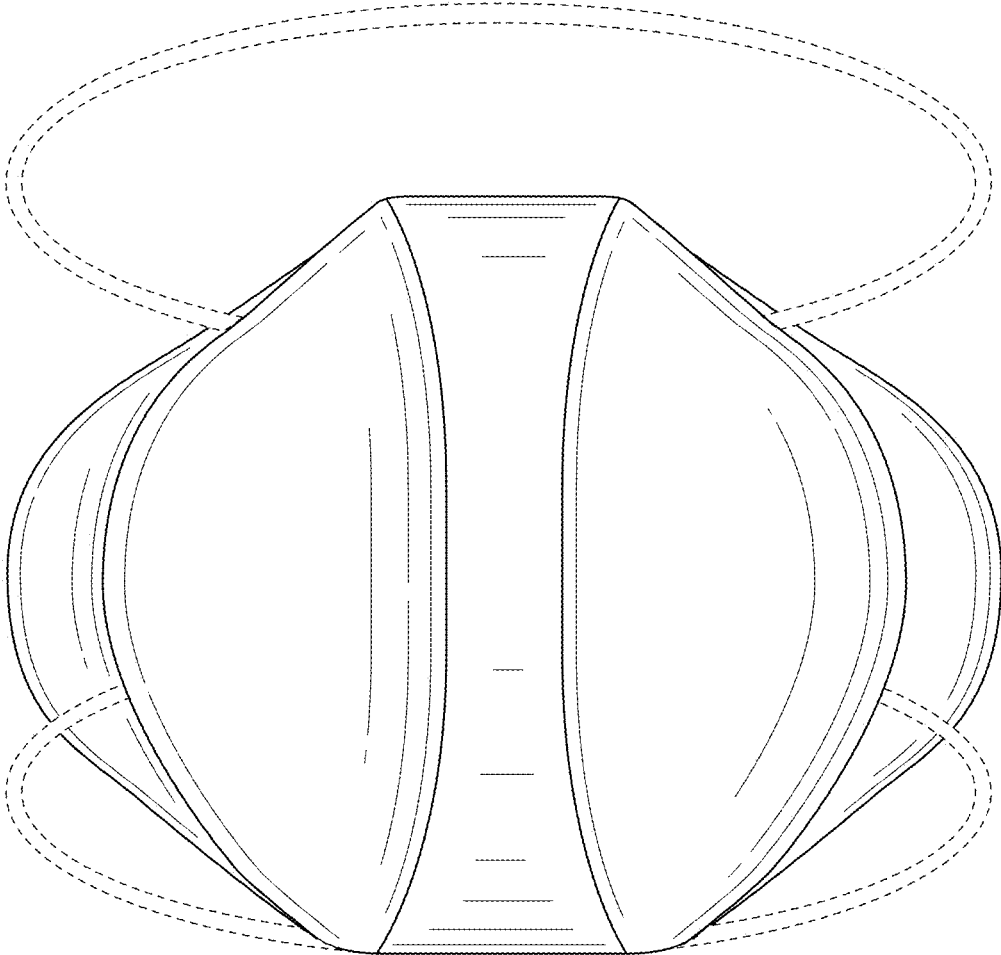


FIG. 3

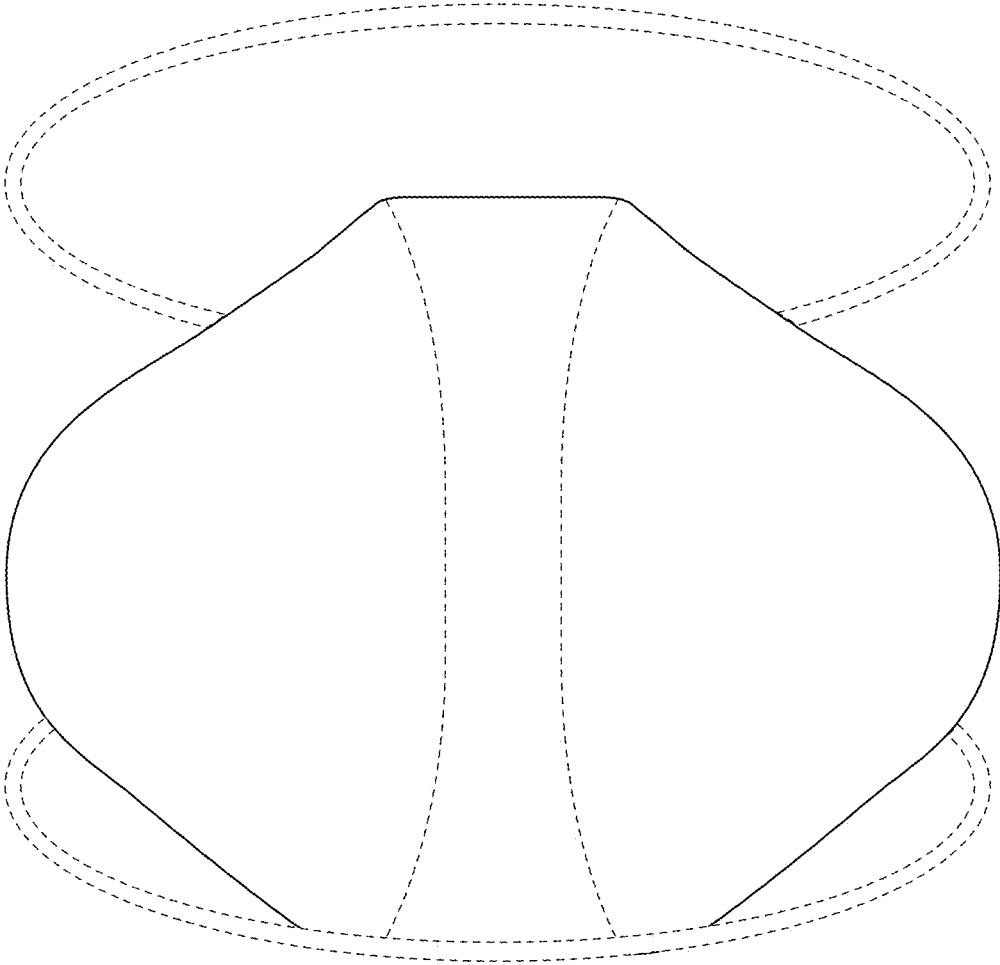


FIG. 4

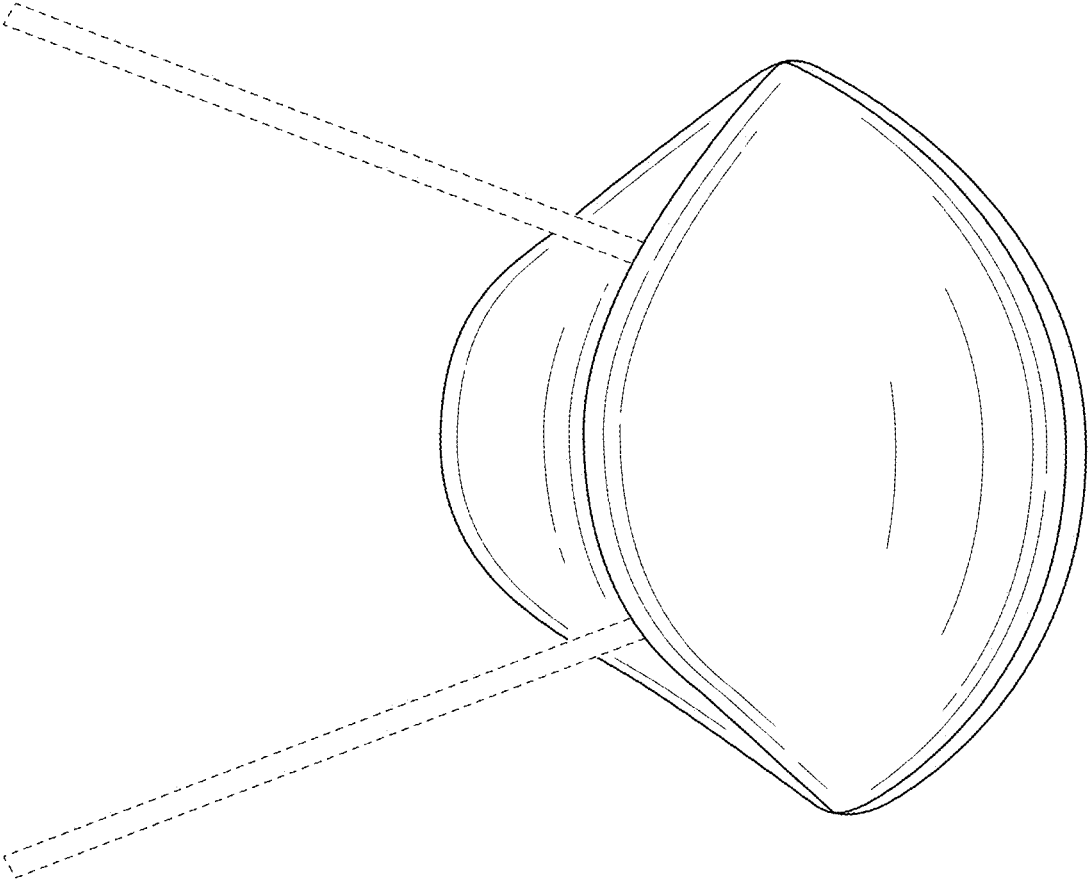


FIG. 5

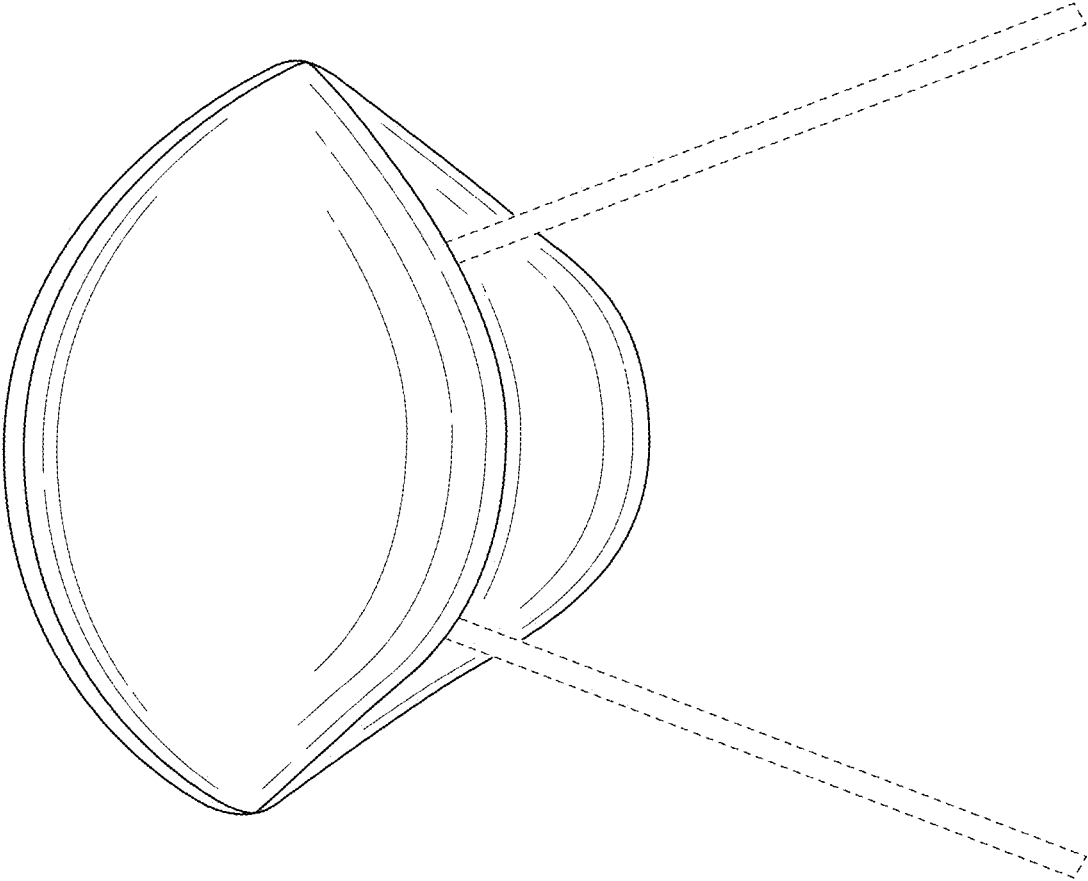


FIG. 6

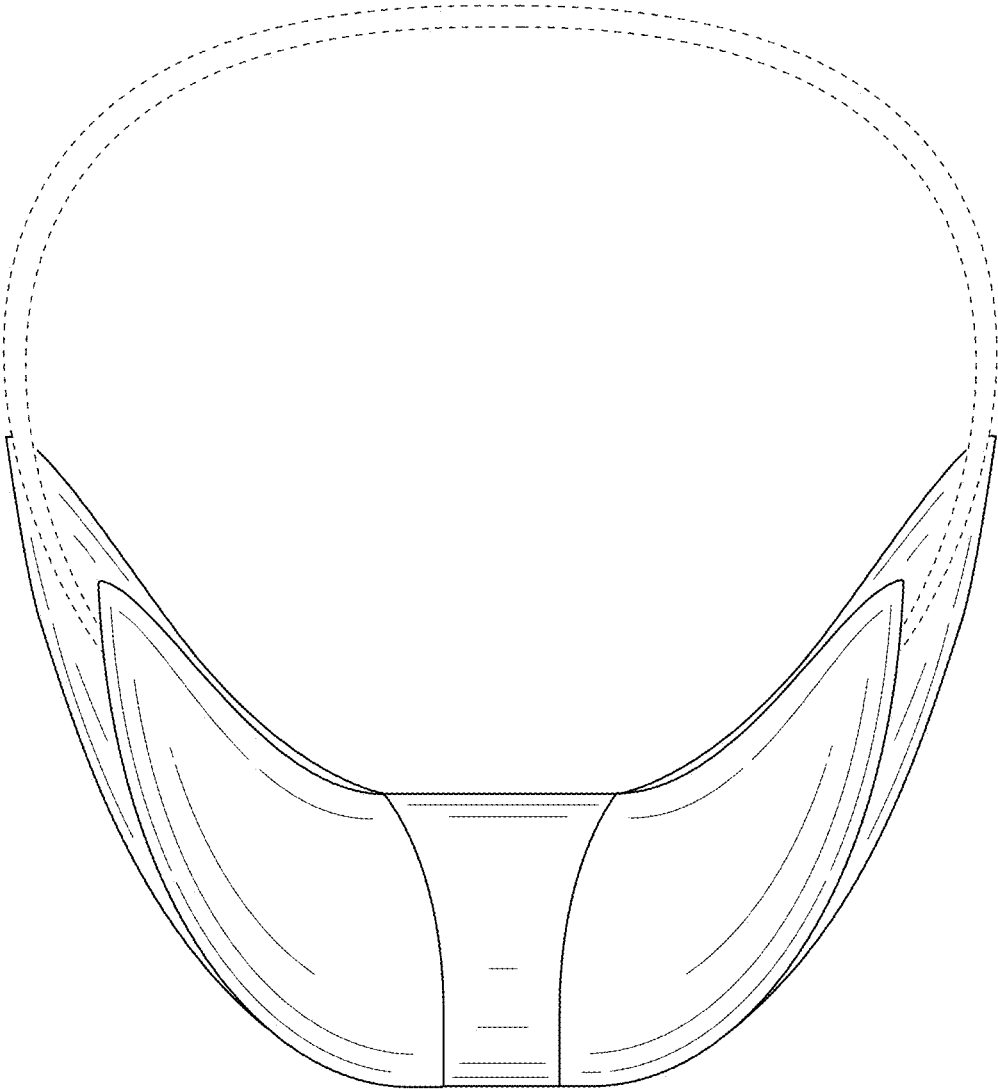


FIG. 7

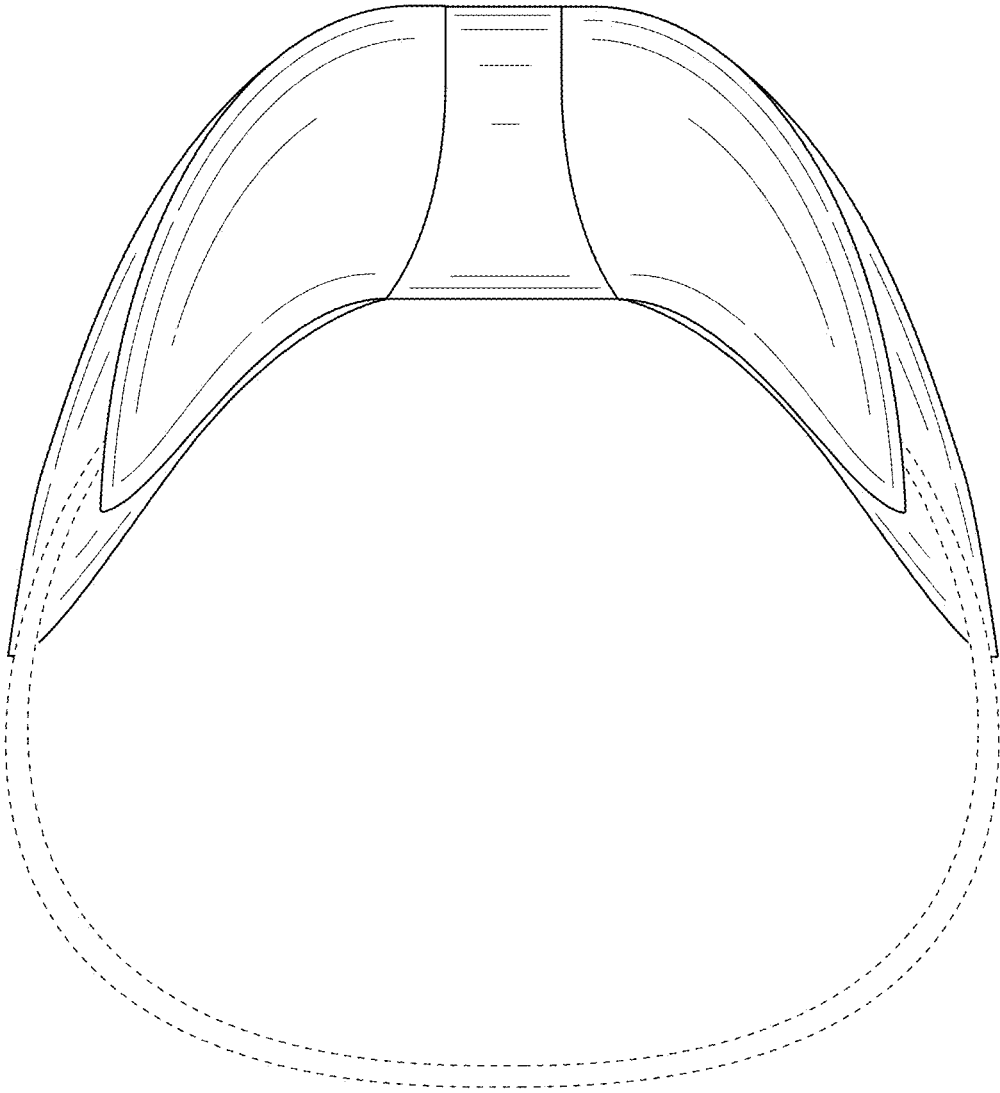


FIG. 8