



US00D422238S

United States Patent [19]
Freilich

[11] **Patent Number: Des. 422,238**
[45] **Date of Patent: ** Apr. 4, 2000**

[54] **GEM CUT**
[75] Inventor: **Joseph Freilich**, Old Westbury, N.Y.
[73] Assignee: **M. Fabrikant & Sons, Ltd.**, New York, N.Y.
[**] Term: **14 Years**
[21] Appl. No.: **29/100,287**
[22] Filed: **Feb. 8, 1999**

D. 48,644 2/1916 Miller D11/90
D. 85,505 11/1931 Zell D11/90
D. 360,376 7/1995 Kaplan D11/90
2,009,390 7/1935 Bayardi 63/32

Primary Examiner—Ralf Seifert
Attorney, Agent, or Firm—Levisohn, Lerner, Berger & Langsam

[57] **CLAIM**

I claim the ornamental design for a gem cut, as shown and described.

Related U.S. Application Data

[63] Continuation-in-part of application No. 08/712,812, Sep. 12, 1996, Pat. No. 5,761,929.
[51] **LOC (6) Cl.** **11-01**
[52] **U.S. Cl.** **D11/90**
[58] **Field of Search** D11/1, 2, 28, 89, D11/90, 91, 15–15.8, 26–39; 63/3, 32, 35, 36, 15, 12

DESCRIPTION

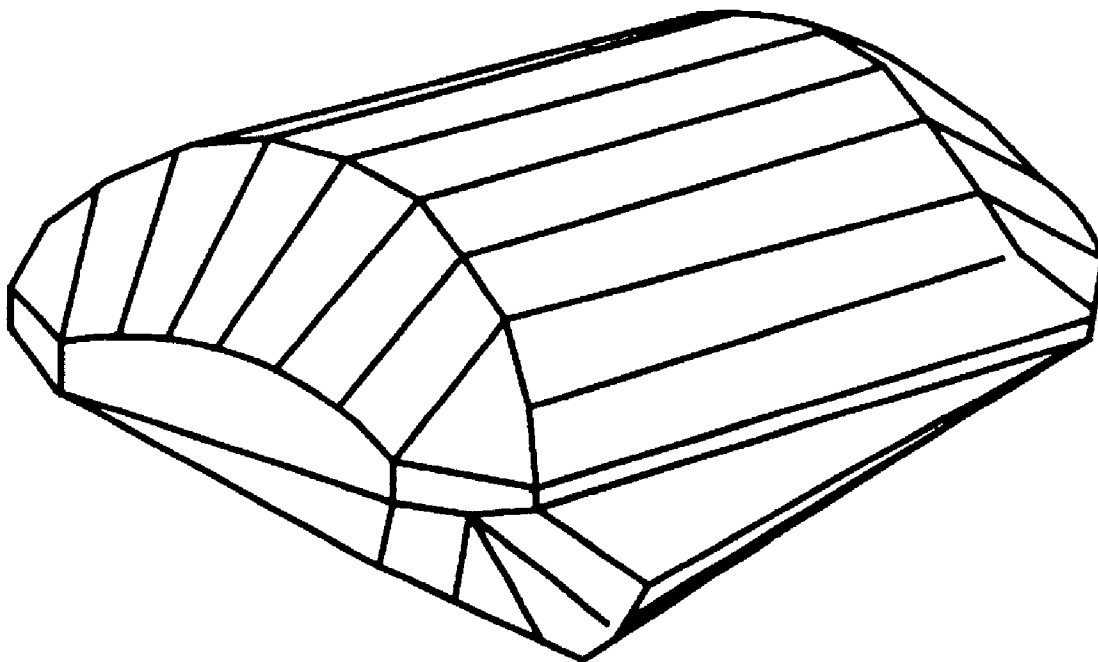
FIG. 1 is a top plan view of a gem cut showing my new design;
FIG. 2 is a bottom plan view;
FIG. 3 is a front elevational view, the rear elevational view being the same;
FIG. 4 is a right side elevational view, the left side elevational view being a mirror image; and,
FIG. 5 is a perspective view.

[56] **References Cited**

U.S. PATENT DOCUMENTS

D. 46,735 12/1914 Heller D11/90

1 Claim, 1 Drawing Sheet



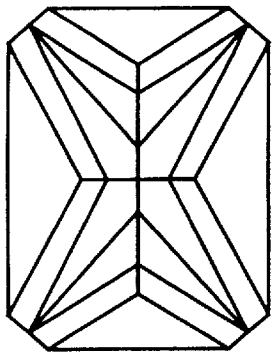


FIG. 2

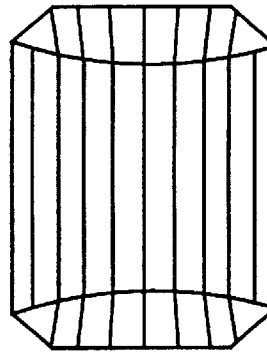


FIG. 1

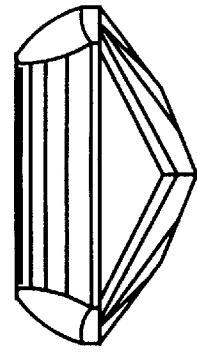


FIG. 3

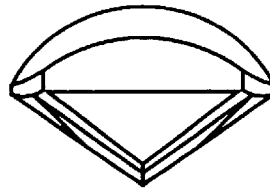


FIG. 4

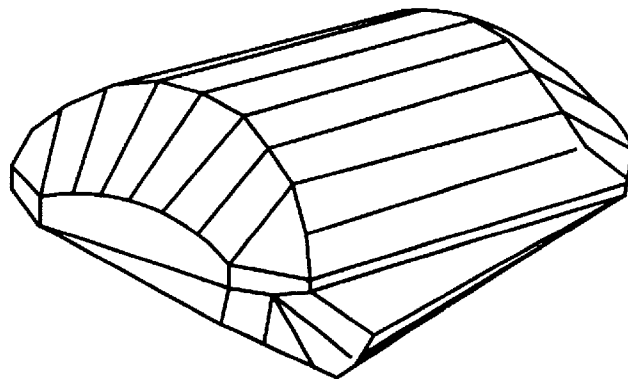


FIG. 5