



US00D708654S

(12) **United States Design Patent**
Tani

(10) **Patent No.:** **US D708,654 S**

(45) **Date of Patent:** **** Jul. 8, 2014**

(54) **SURVEILLANCE CAMERA**

(71) Applicant: **Panasonic Corporation**, Osaka (JP)

(72) Inventor: **Atsushi Tani**, Osaka (JP)

(73) Assignee: **Panasonic Corporation**, Osaka (JP)

(**) Term: **14 Years**

(21) Appl. No.: **29/461,481**

(22) Filed: **Jul. 23, 2013**

(30) **Foreign Application Priority Data**

Mar. 19, 2013 (JP) 2013-006078

(51) **LOC (10) Cl.** **16-01**

(52) **U.S. Cl.**
USPC **D16/203**

(58) **Field of Classification Search**
CPC G03B 17/02; G03B 19/04; G03B 17/56;
G03B 17/04; G03B 15/03; H04N 5/2251;
H04N 5/2252; H04N 5/2253; H04N 5/2254;
H04N 7/181; H04N 7/183; H04N 7/18;
G08B 13/1963; G08B 13/19619; G08B
13/19632; F16M 11/04; F16M 13/00
USPC D16/200, 202-206, 218, 219, 242;
348/143, 148, 151, 373-376; 396/278,
396/419, 427, 535, 539-541
See application file for complete search history.

(56) **References Cited**

U.S. PATENT DOCUMENTS

D399,517 S * 10/1998 Hasegawa D16/203
D502,196 S * 2/2005 Miyazaki D16/202

D542,319 S * 5/2007 Ishida et al. D16/203
D543,566 S * 5/2007 Kato et al. D16/203
D552,650 S 10/2007 Yamakawa et al.
D562,870 S * 2/2008 Komatsu et al. D16/203
D574,870 S * 8/2008 Takahashi D16/203
D576,195 S 9/2008 Grotto
D597,117 S 7/2009 Yamane et al.
D609,732 S * 2/2010 Frank et al. D16/203
D626,984 S * 11/2010 Miyaji D16/203
D629,439 S * 12/2010 Yoshida D16/219
D639,328 S * 6/2011 Zeinoun et al. D16/203
8,131,145 B2 * 3/2012 Scheucher 396/278
8,164,686 B2 * 4/2012 Togawa 348/373
2007/0126872 A1 * 6/2007 Bolotine et al. 348/151

* cited by examiner

Primary Examiner — Adir Aronovich

Assistant Examiner — Ramzi Almatrahi

(74) *Attorney, Agent, or Firm* — Panasonic Patent Center

(57) **CLAIM**

I claim the ornamental design for a surveillance camera, as shown and described.

DESCRIPTION

FIG. 1 is a front perspective view of a surveillance camera of the present invention;
FIG. 2 is a front elevational view thereof;
FIG. 3 is a rear elevational view thereof;
FIG. 4 is a left side elevational view thereof;
FIG. 5 is a right side elevational view thereof;
FIG. 6 is a top plan view thereof; and,
FIG. 7 is a bottom plan view thereof.
The broken line showing of surveillance camera is included for the purpose of illustrating environment and forms no part of the claimed design.

1 Claim, 7 Drawing Sheets

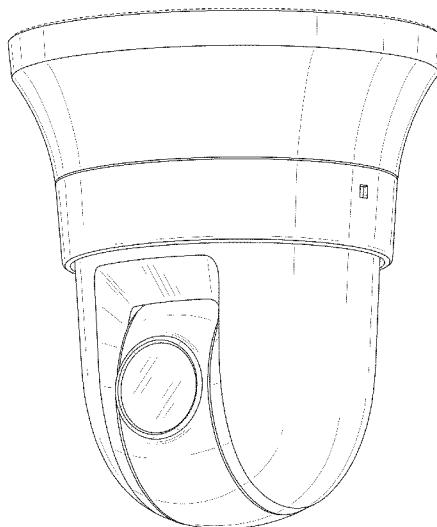


FIG. 1

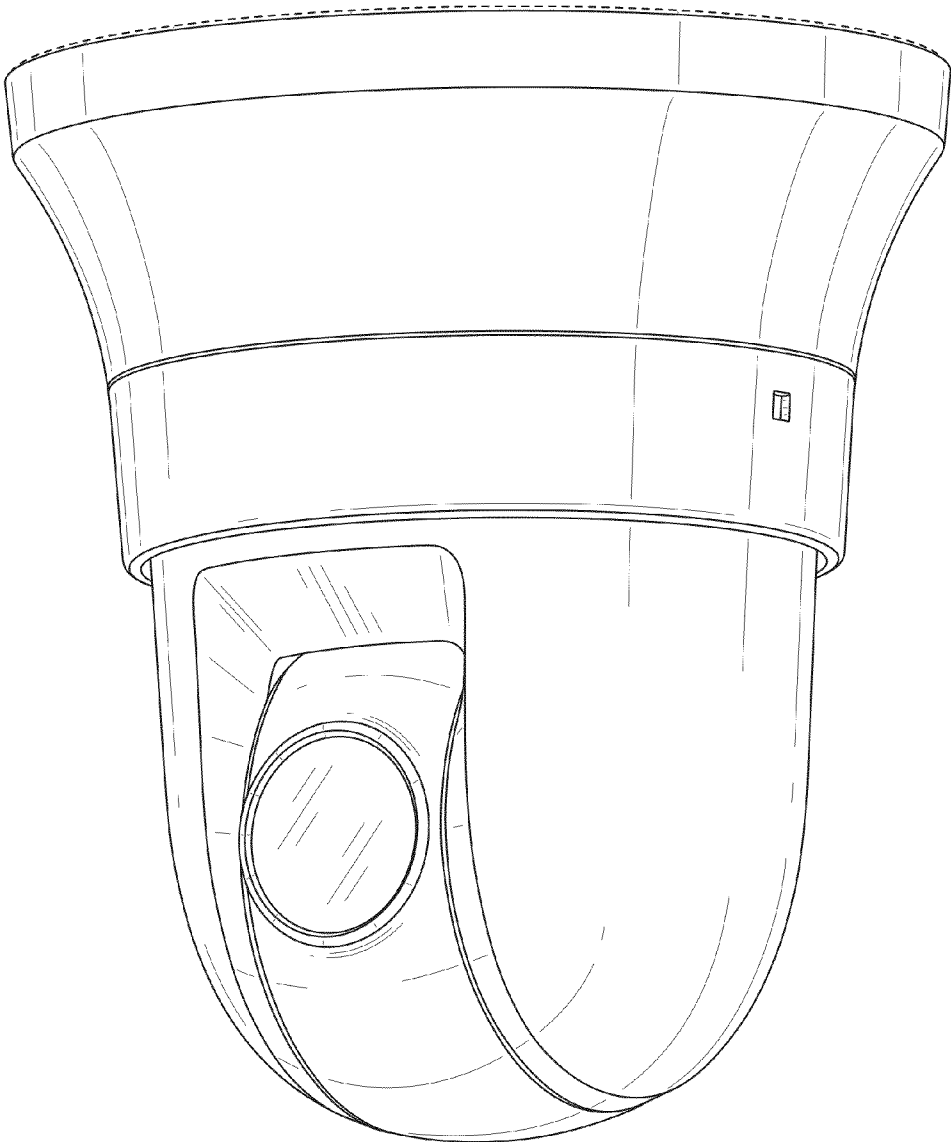


FIG. 2

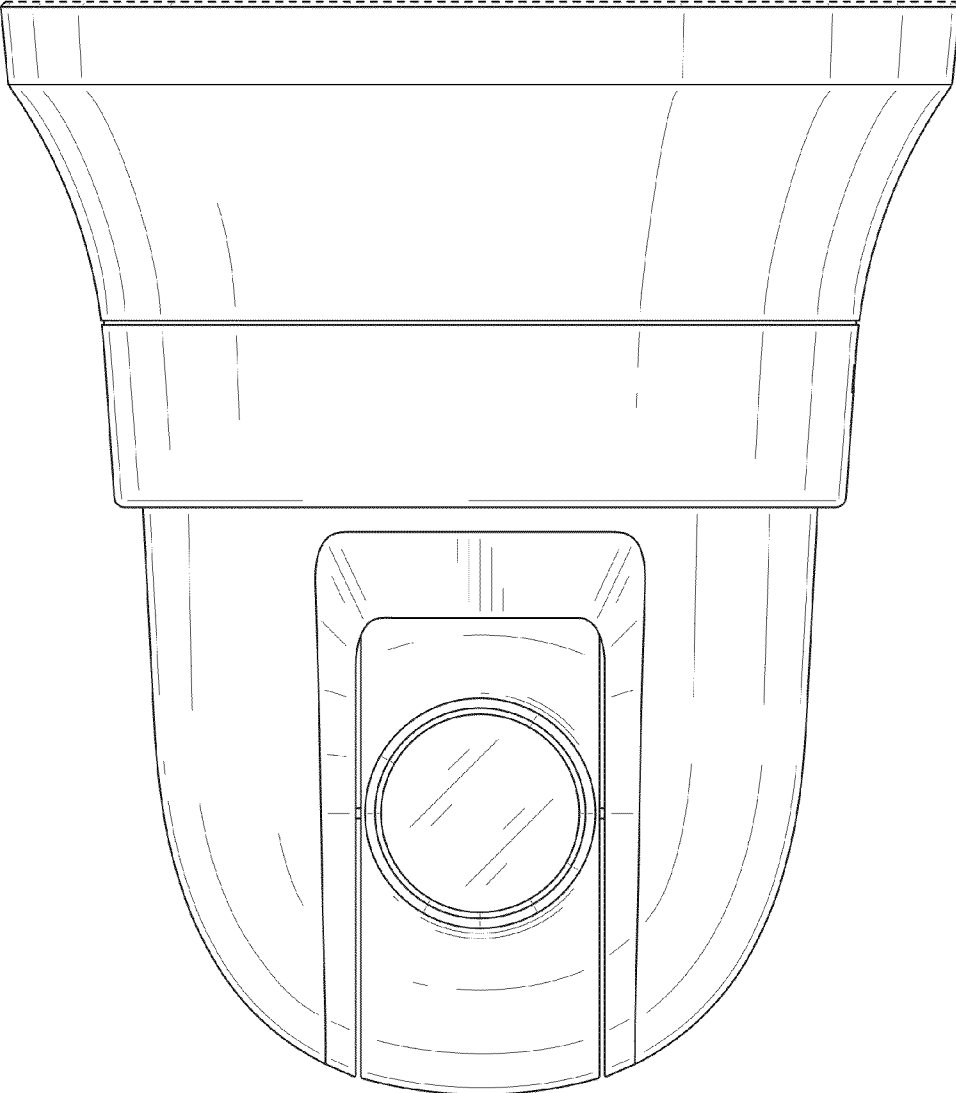


FIG. 3

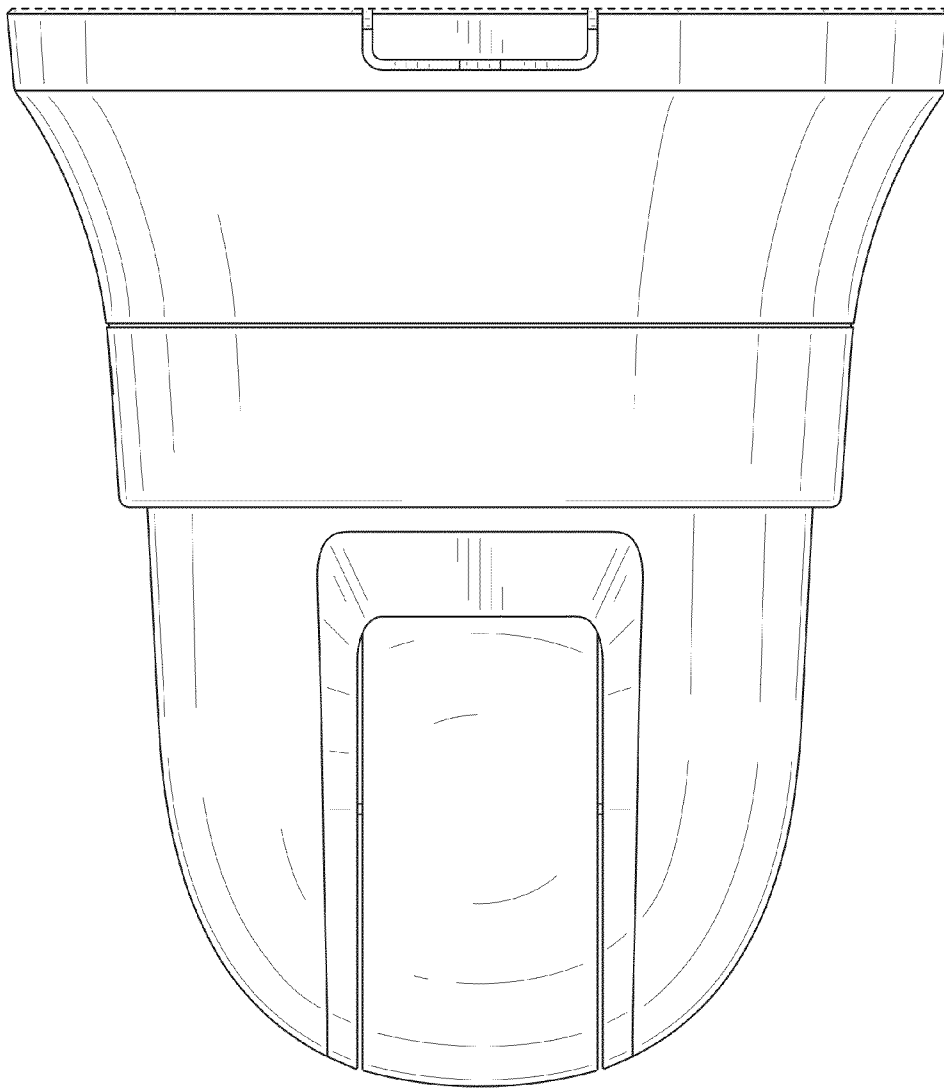


FIG. 4

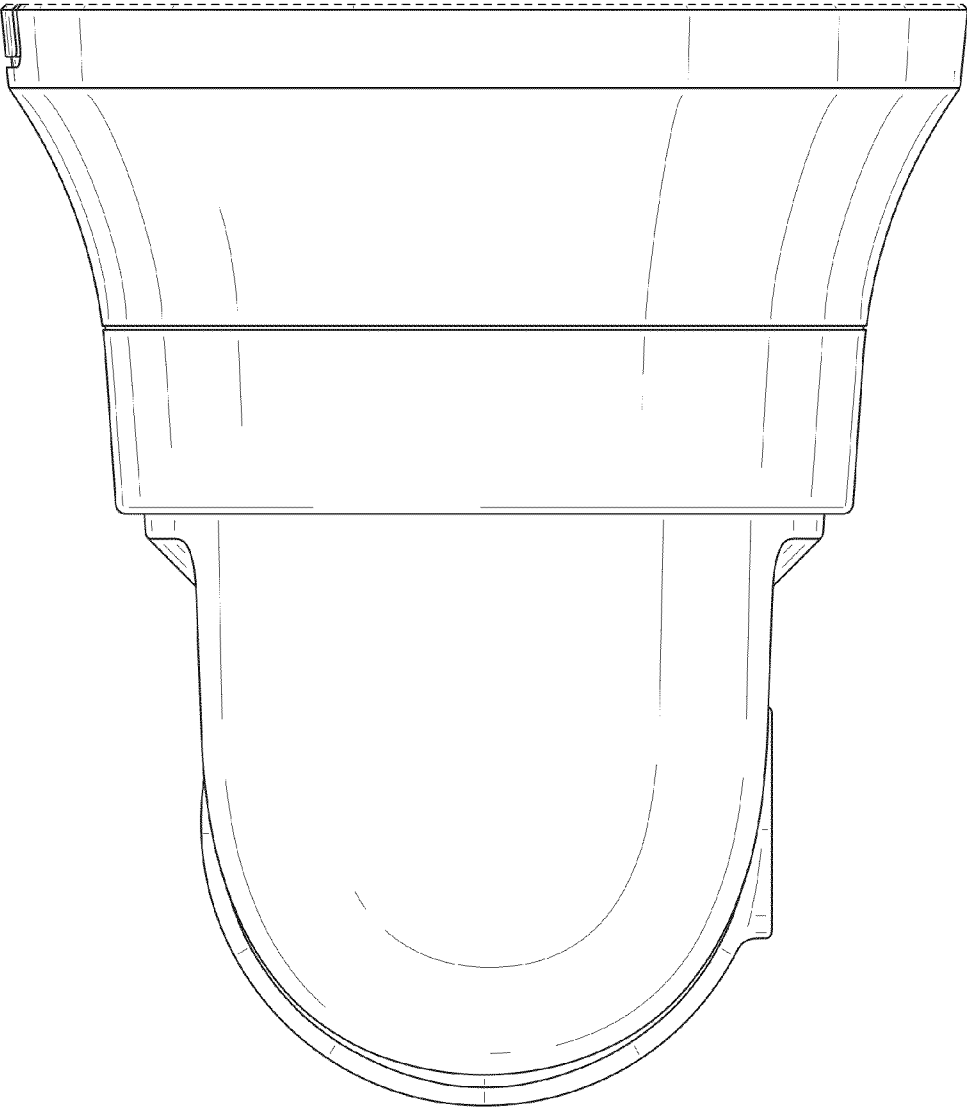


FIG. 5

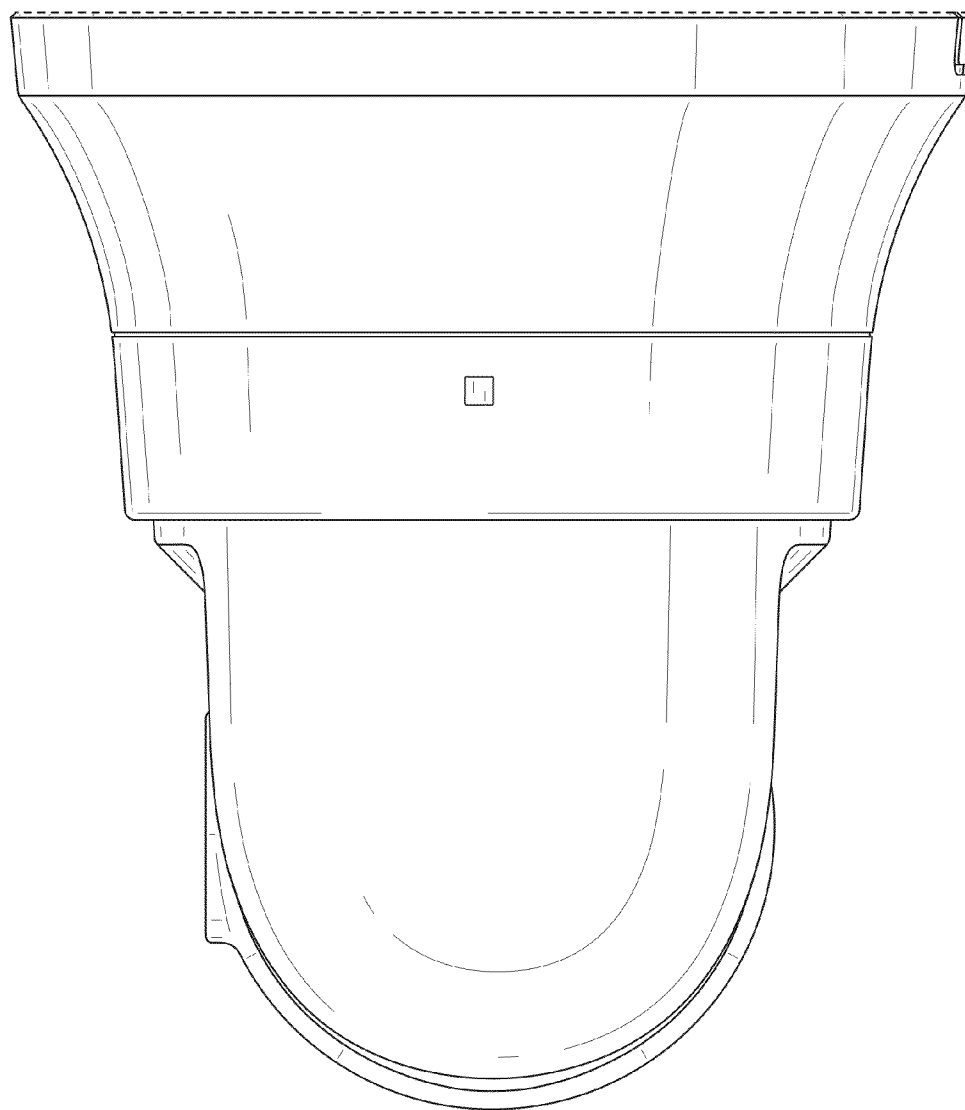


FIG. 6

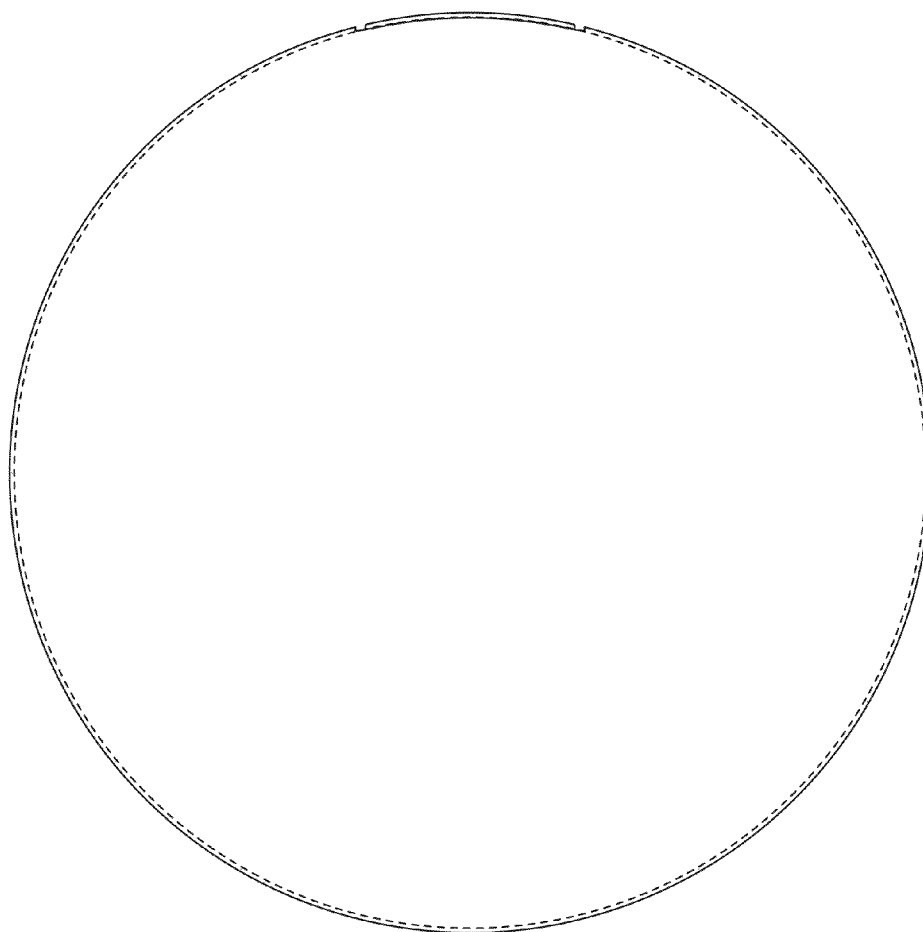


FIG. 7

