



US00D957487S

(12) **United States Design Patent**
Huang

(10) **Patent No.:** **US D957,487 S**

(45) **Date of Patent:** **** Jul. 12, 2022**

(54) **WELDING JIG**

(71) Applicant: **SHENZHEN JIALEXIN TECHNOLOGY CO., LTD.**, Shenzhen (CN)

(72) Inventor: **Jingwang Huang**, Shenzhen (CN)

(73) Assignee: **SHENZHEN JIALEXIN TECHNOLOGY CO., LTD.**, Shenzhen (CN)

(**) Term: **15 Years**

(21) Appl. No.: **29/801,476**

(22) Filed: **Jul. 29, 2021**

(51) **LOC (13) Cl.** **15-09**

(52) **U.S. Cl.**

USPC **D15/144**

(58) **Field of Classification Search**

USPC D8/71; D15/122, 138, 140, 141, 144, D15/144.1, 144.2

CPC B23K 37/047; B23K 37/053

See application file for complete search history.

(56) **References Cited**

U.S. PATENT DOCUMENTS

2,314,788	A *	3/1943	John	B23K 37/0435	269/95
D173,648	S *	12/1954	Emrick	D15/133	
D188,736	S *	8/1960	Verderber	D15/140	
D188,919	S *	9/1960	Verderber	D15/140	
D189,319	S *	11/1960	Verderber	D15/140	
D201,837	S *	8/1965	Rose	D8/71	
D224,049	S *	6/1972	Rose	D8/71	
D274,093	S *	5/1984	Kenna	D24/140	
4,541,621	A *	9/1985	Amos	B23K 37/0536	269/69
D291,529	S *	8/1987	Degen	D8/72	
D316,660	S *	5/1991	Cukon	D8/71	

D338,148	S *	8/1993	Gowdy	D8/71	
D342,747	S *	12/1993	Garcia	D15/140	
D344,529	S *	2/1994	Gowdy	D15/140	
D356,271	S *	3/1995	Adamik	D10/64	
D397,013	S *	8/1998	Horne	D8/71	
D481,402	S *	10/2003	Jenkins	D15/140	
6,648,318	B1 *	11/2003	Oetlinger	B23K 37/0435	269/71
D567,269	S *	4/2008	Netzler	D15/140	
D577,752	S *	9/2008	McDaniel	D15/140	
D651,884	S *	1/2012	Jansson	B24B 3/36	D8/71
D678,372	S	3/2013	Trussell		

(Continued)

Primary Examiner — Patricia A Palasik

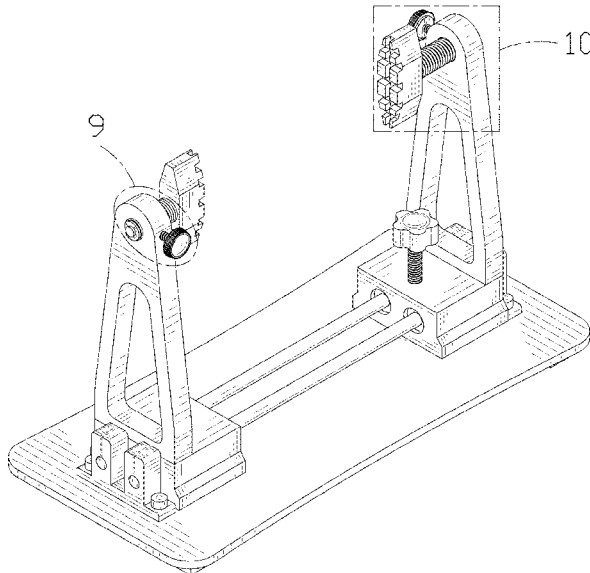
(57) **CLAIM**

The ornamental design for a welding jig, as shown and described.

DESCRIPTION

FIG. 1 is a perspective view of a welding jig showing my new design;
 FIG. 2 is another perspective view thereof;
 FIG. 3 is a front elevational view thereof;
 FIG. 4 is a rear elevational view thereof;
 FIG. 5 is a left side elevational view thereof;
 FIG. 6 is a right side elevational view thereof;
 FIG. 7 is a top plan view thereof;
 FIG. 8 is a bottom plan view thereof;
 FIG. 9 is an enlarged view of portion 9 shown in FIG. 1;
 FIG. 10 is an enlarged view of portion 10 shown in FIG. 1; and,
 FIG. 11 is an enlarged view of portion 11 shown in FIG. 3.
 The dash-dash broken lines in the drawings depict portions of the welding jig that form no part of the claimed design. The dot-dash broken lines represent boundaries of the enlarged portions and form no part of the claimed design.

1 Claim, 11 Drawing Sheets



(56)

References Cited

U.S. PATENT DOCUMENTS

D726,911	S	*	4/2015	Gantes	D24/152
D812,661	S	*	3/2018	Landqvist	D15/144
D868,374	S	*	11/2019	Macpherson	D28/44.2
D869,255	S	*	12/2019	Thackery	D8/71
D913,347	S	*	3/2021	Hall	D15/138
D951,314	S	*	5/2022	Yu	D15/138
2005/0218189	A1	*	10/2005	Maes	B23K 37/04 228/47.1

* cited by examiner

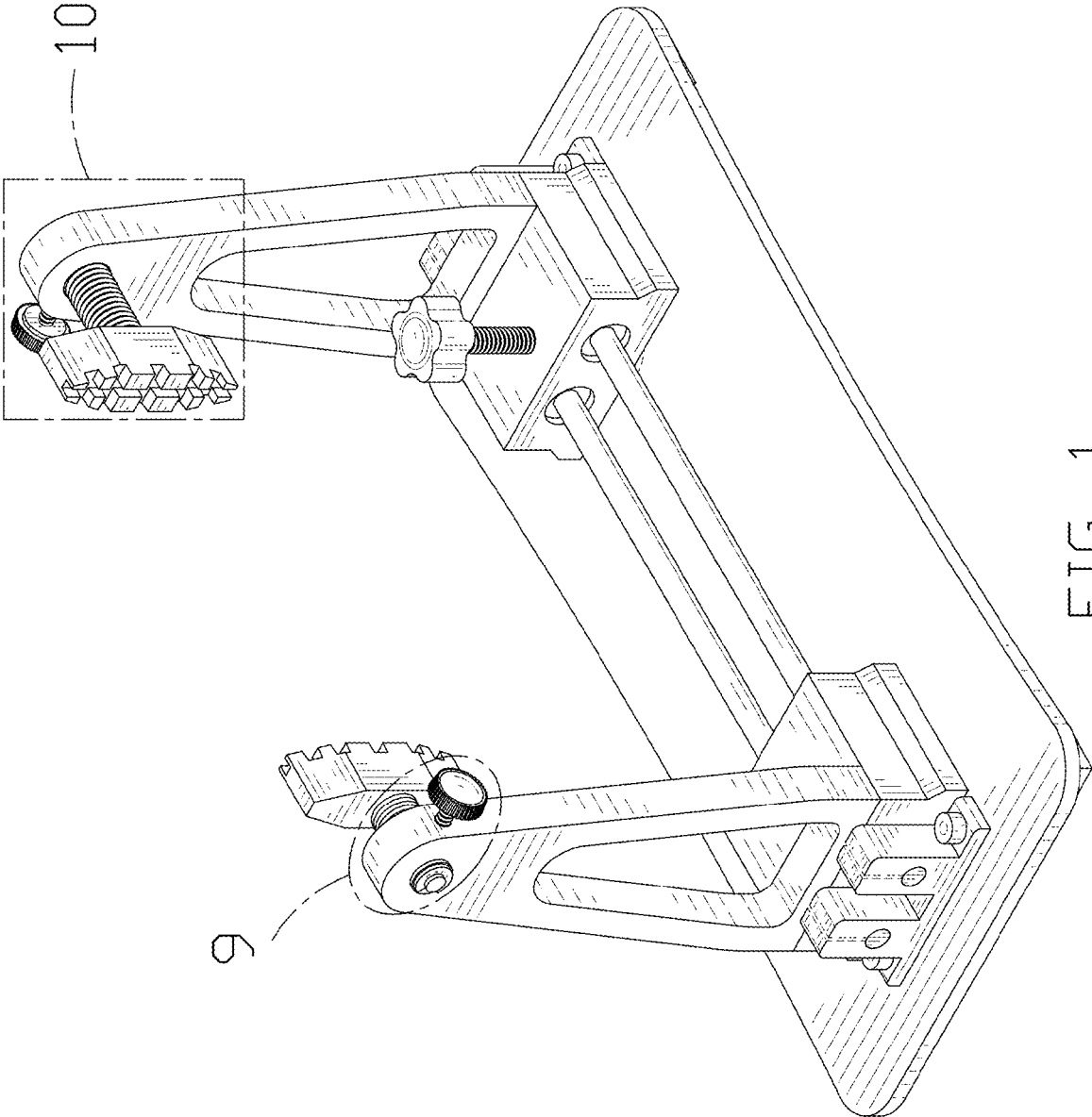


FIG. 1

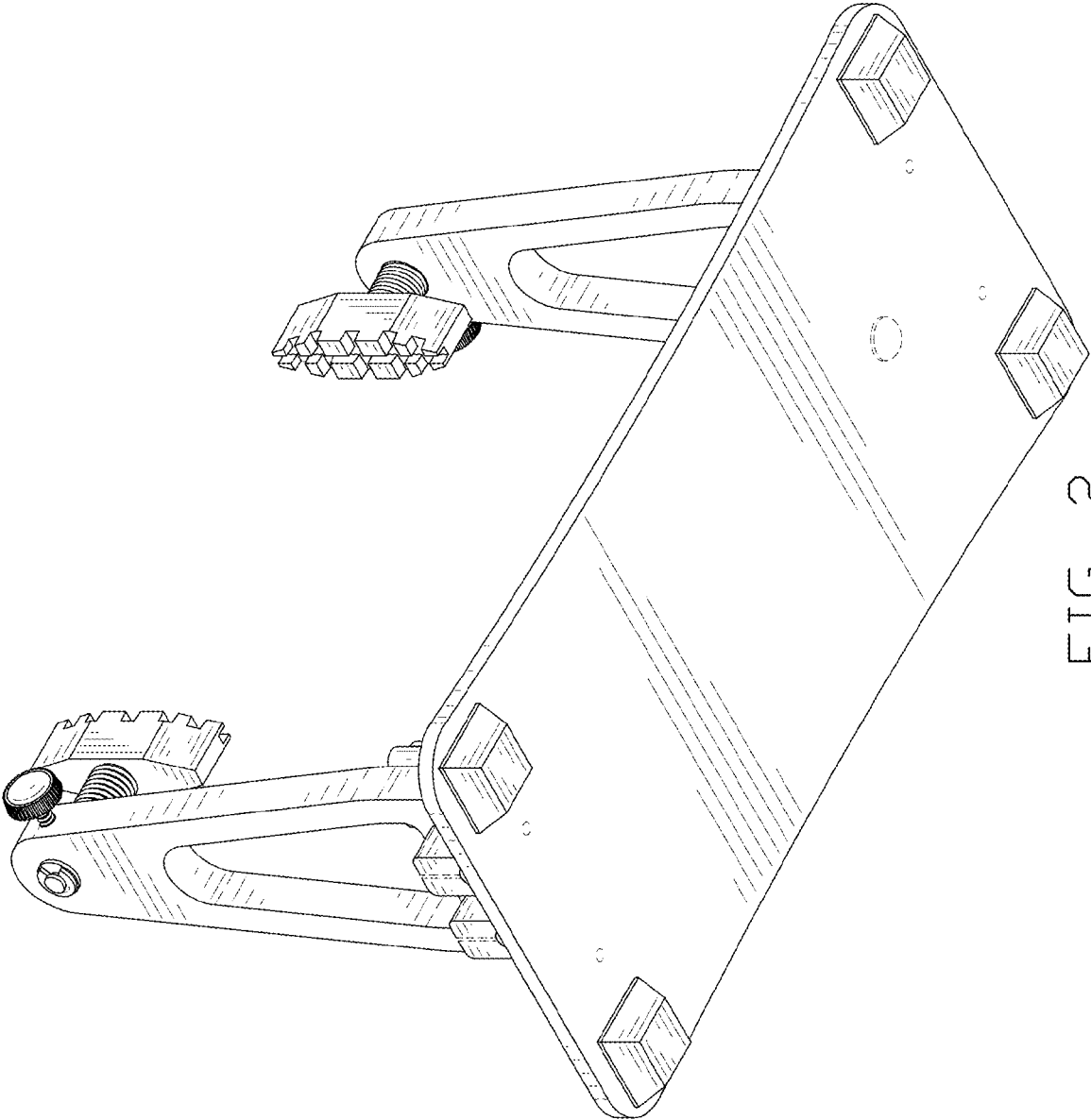


FIG. 2

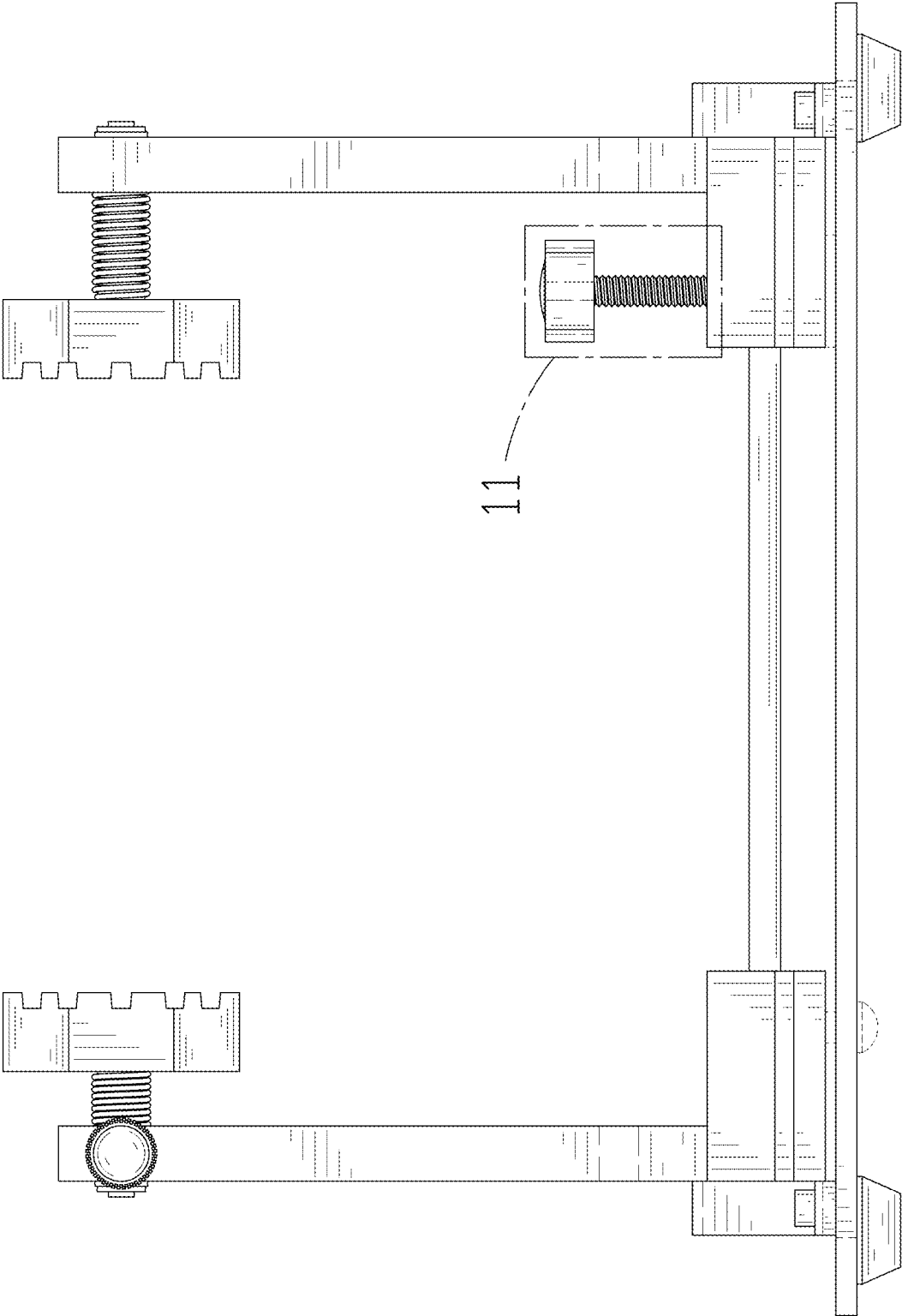


FIG. 3

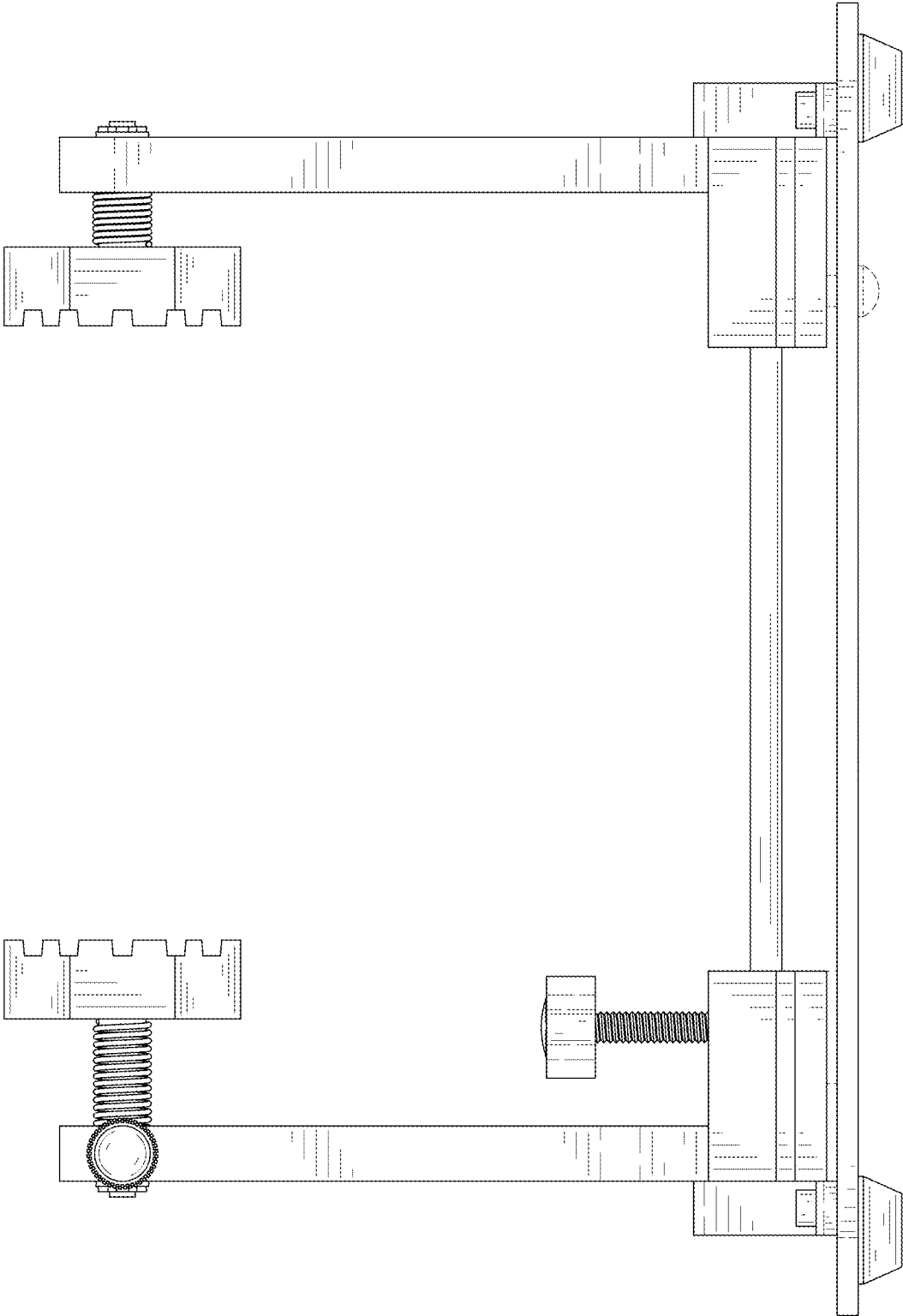


FIG. 4

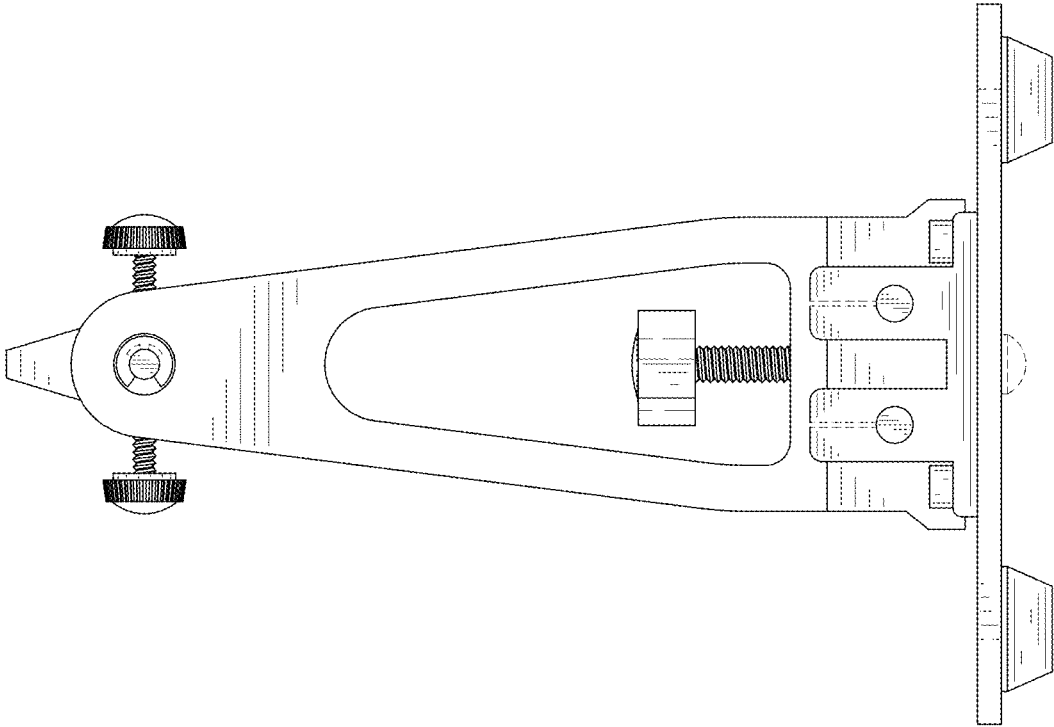


FIG. 5

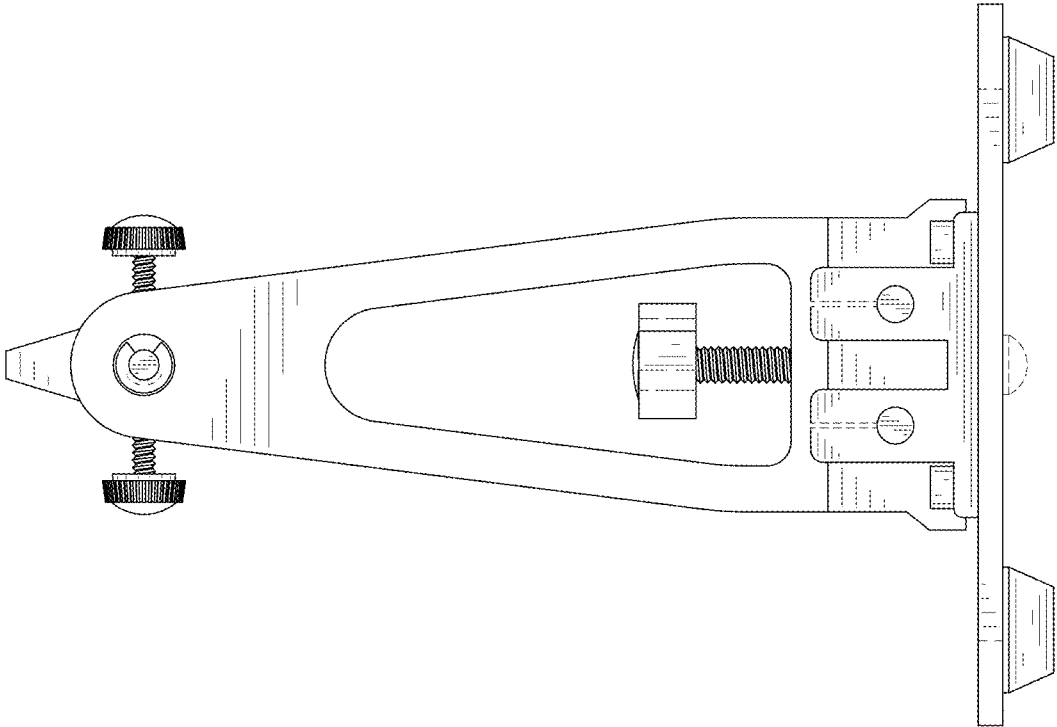


FIG. 6

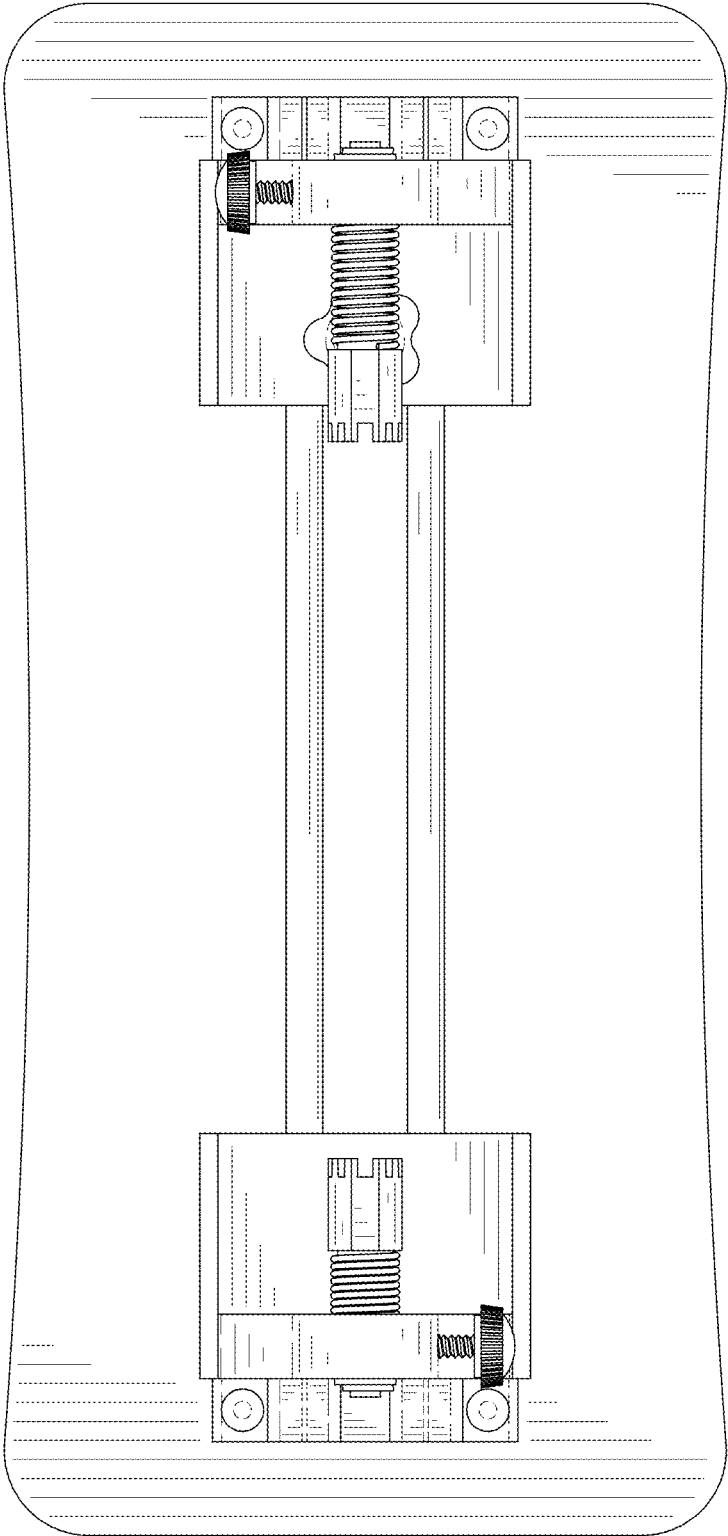


FIG. 7

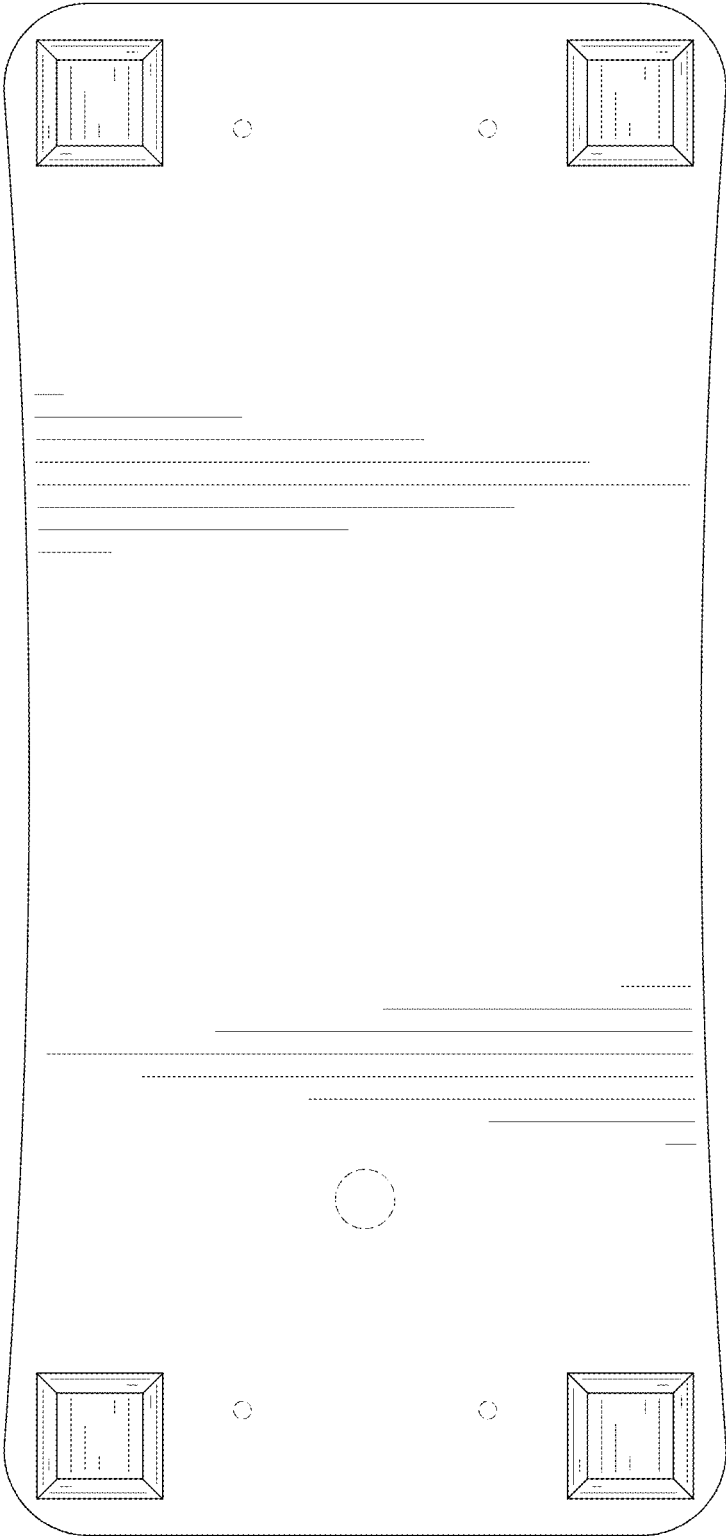


FIG. 8

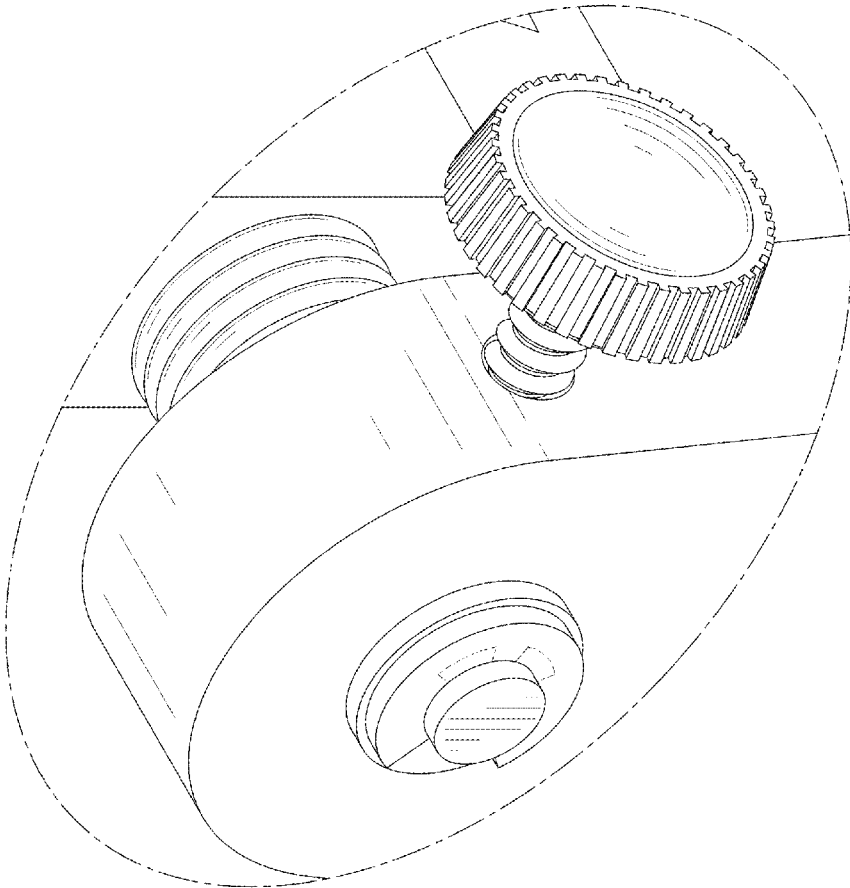


FIG. 9

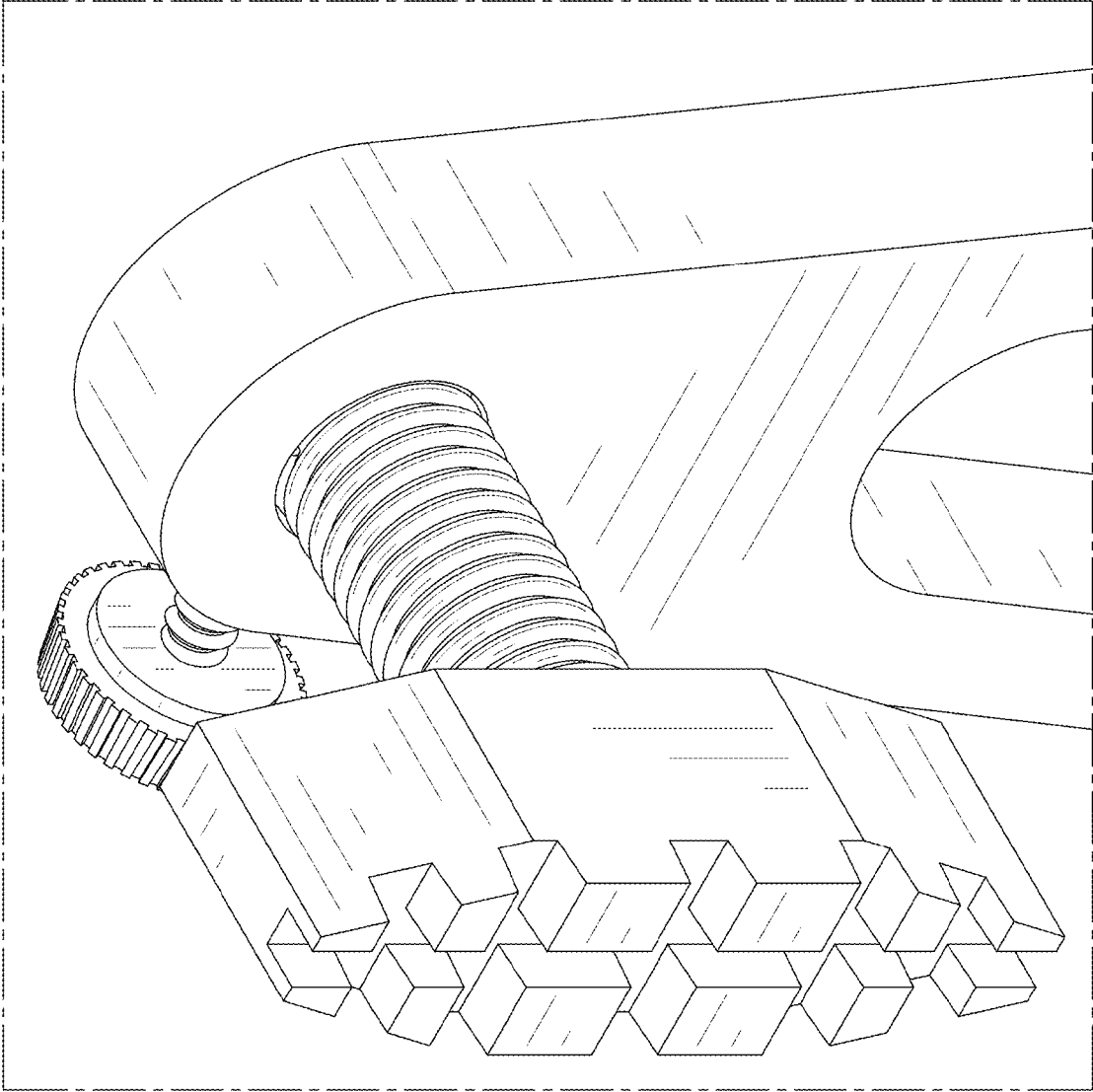


FIG. 10

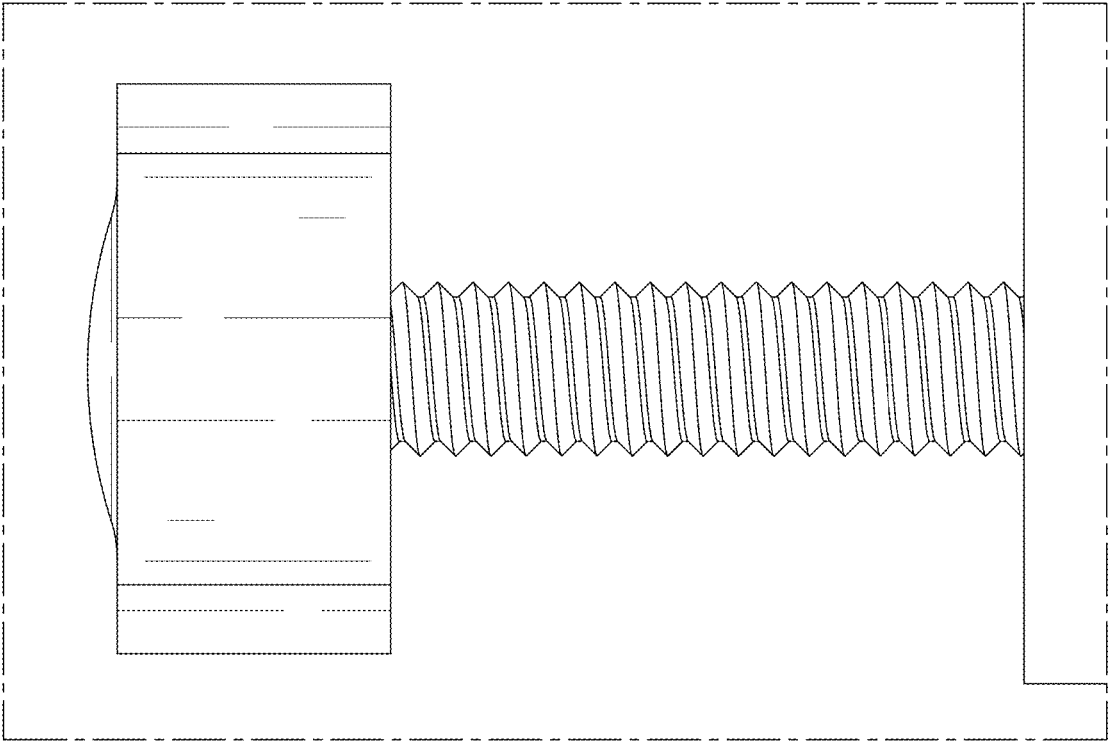


FIG. 11