



US00D391915S

# United States Patent [19]

[11] Patent Number: **Des. 391,915**

Miller

[45] Date of Patent: **\*\*Mar. 10, 1998**

[54] **SADDLE BAG MOUNTING BRACKET FOR A MOTORCYCLE**

[75] Inventor: **Larry L. Miller**, Rossburg, Ohio

[73] Assignee: **M.L.W. Custom Cycle, Inc.**, Versailles, Ohio

[\*\*] Term: **14 Years**

[21] Appl. No.: **61,968**

[22] Filed: **Nov. 4, 1996**

[51] **LOC (6) CL** ..... **12-06**

[52] **U.S. Cl.** ..... **D12/223; D8/354**

[58] **Field of Search** ..... **D8/354, 349; D12/223, D12/114; 280/96.1; 180/219; 248/300, 200, 201, 27.1**

1,765,410	6/1930	Folberth et al. .
2,180,219	11/1939	Wormley .
3,414,228	12/1968	Jennings .
3,711,050	1/1973	Case .
3,740,013	6/1973	Bentley et al. .
4,157,800	6/1979	Senter et al. .

### OTHER PUBLICATIONS

Montrose Supply and Equipment Catalog, May 9, 1977, p. 229, mounting bracket found at right side of page. Saddle Supports by Winn Products—1994, p. 387.

*Primary Examiner*—Holly Baynham  
*Attorney, Agent, or Firm*—Jacox, Meckstroth & Jenkins

### [57] CLAIM

The ornamental design of a saddle bag mounting bracket for a motorcycle, as shown and described.

### DESCRIPTION

FIG. 1 is a front view of a saddle bag mounting bracket for a motorcycle showing my new design; FIG. 2 is an end view thereof; FIG. 3 is an opposite end view thereof; FIG. 4 is rear view thereof; FIG. 5 is a top view thereof; and, FIG. 6 is a bottom view thereof.

**1 Claim, 1 Drawing Sheet**

### [56] References Cited

#### U.S. PATENT DOCUMENTS

D. 87,702	9/1932	Aufiero .
D. 192,849	5/1962	McEvoy et al. .
D. 245,312	8/1977	Rasmussen .
D. 255,323	6/1980	Palmroth .
D. 274,803	7/1984	Hughes .
D. 288,171	2/1987	Dey .
D. 313,338	1/1991	Rasmussen .

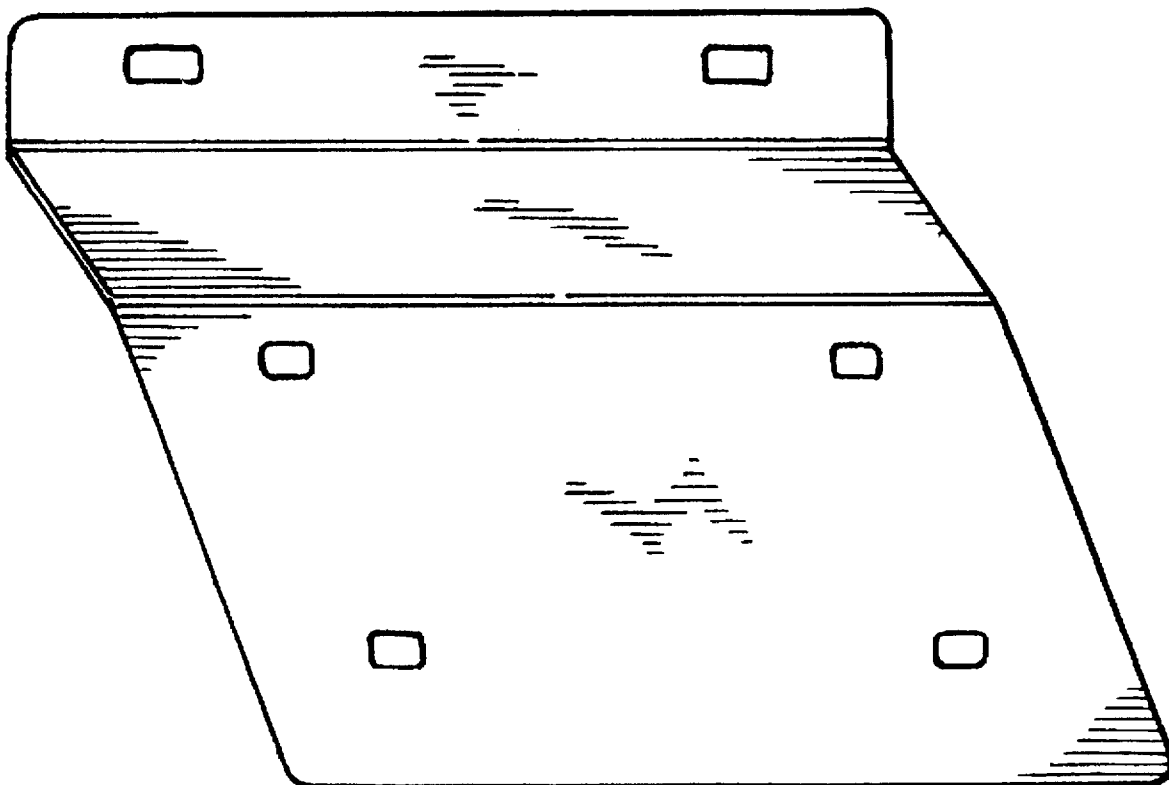


FIG-1

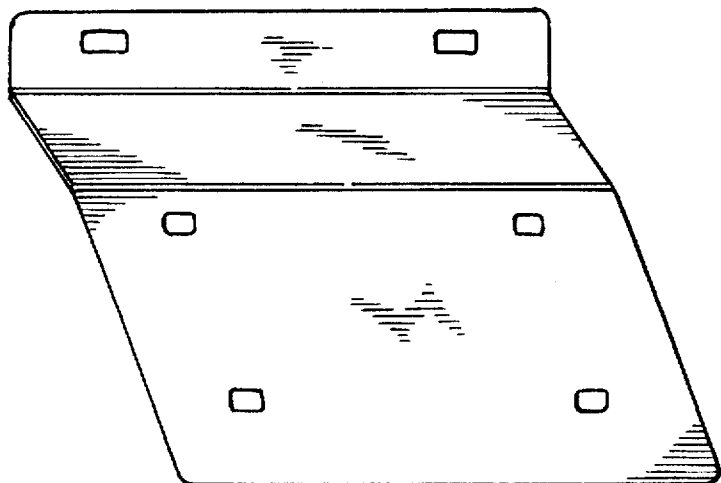


FIG-2

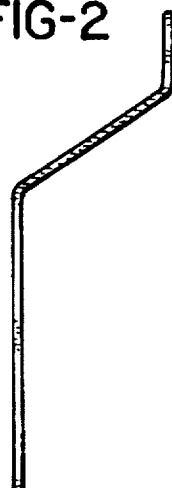


FIG-3

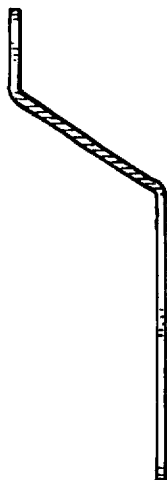


FIG-4

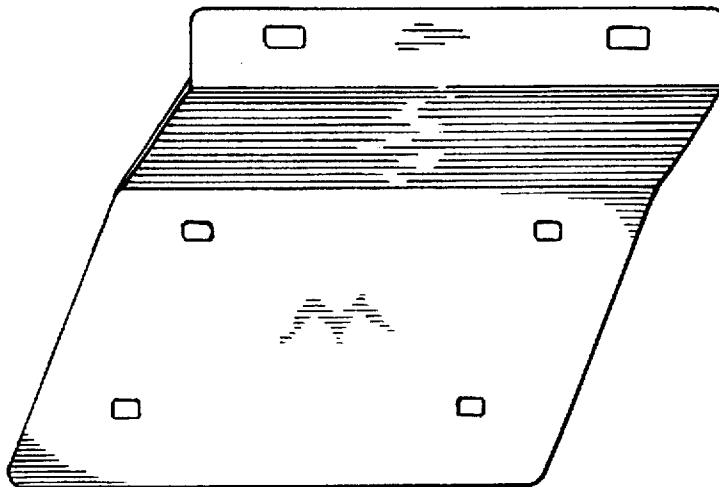


FIG-5

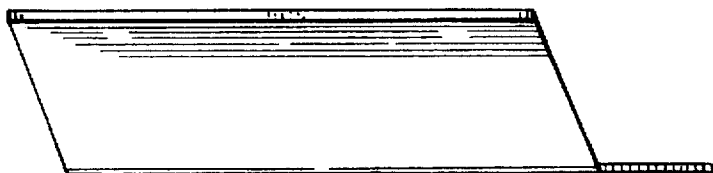


FIG-6

