

(12) **United States Design Patent**  
**Shin**

(10) **Patent No.:** **US D783,912 S**  
(45) **Date of Patent:** **\*\* Apr. 11, 2017**

(54) **CLEANER**

(71) Applicant: **Jiangsu Midea Chunhua Electric Appliance Co., Ltd., Suzhou (CN)**

(72) Inventor: **Jeehoon Shin, Suzhou (CN)**

(73) Assignee: **JIANGSU MIDEA CLEANING APPLIANCES CO., LTD, Suzhou, Jiangsu (CN)**

(\*\*) Term: **14 Years**

(21) Appl. No.: **29/510,946**

(22) Filed: **Dec. 4, 2014**

(30) **Foreign Application Priority Data**

Sep. 16, 2014 (CN) ..... 2014 3 0341784

(51) **LOC (10) Cl.** ..... **15-05**

(52) **U.S. Cl.**  
USPC ..... **D32/22**

(58) **Field of Classification Search**

USPC ... D32/17-18, 21-24, 31, 34, 40, 42, 49-52  
CPC ... A47L 5/28; A47L 5/32; A47L 5/362; A47L 5/365; A47L 5/24; A47L 5/34; A47L 7/0038; A47L 9/26; A47L 9/2857; A47L 9/20; A47L 9/02; A47L 9/322; A47L 9/325; A47L 11/34; A47L 11/40; A47L 11/4044; A47L 11/20; A47L 11/146  
See application file for complete search history.

(56) **References Cited**

**U.S. PATENT DOCUMENTS**

D462,813 S \* 9/2002 Nakano ..... D32/22  
D510,465 S \* 10/2005 Takahashi ..... D32/22

D537,584 S \* 2/2007 Greene ..... D32/22  
D587,870 S \* 3/2009 Baek ..... D32/22  
D610,317 S \* 2/2010 Lee ..... D32/22  
D610,318 S \* 2/2010 Shin ..... D32/22  
D633,264 S \* 2/2011 Lee ..... D32/22  
D652,589 S \* 1/2012 Lee ..... D32/22  
D670,878 S \* 11/2012 Lee ..... D32/22  
D730,001 S \* 5/2015 Yun ..... D32/22  
D735,426 S \* 7/2015 Yun ..... D32/22  
D739,620 S \* 9/2015 Johnson ..... D32/22  
D740,505 S \* 10/2015 Gidwell ..... D32/31  
2013/0232724 A1 \* 9/2013 Krebs ..... A47L 5/28  
15/353  
2015/0351596 A1 \* 12/2015 Thorne ..... A47L 5/28  
15/332

\* cited by examiner

*Primary Examiner* — Ruth McInroy

(74) *Attorney, Agent, or Firm* — Hamre, Schumann, Mueller & Larson, P.C.

(57) **CLAIM**

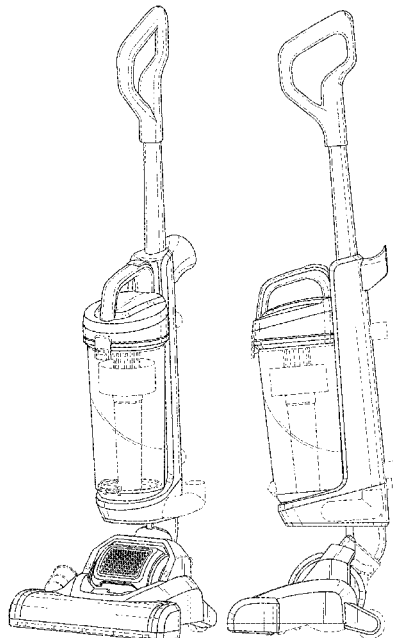
I claim the ornamental design for a cleaner, as shown and described.

**DESCRIPTION**

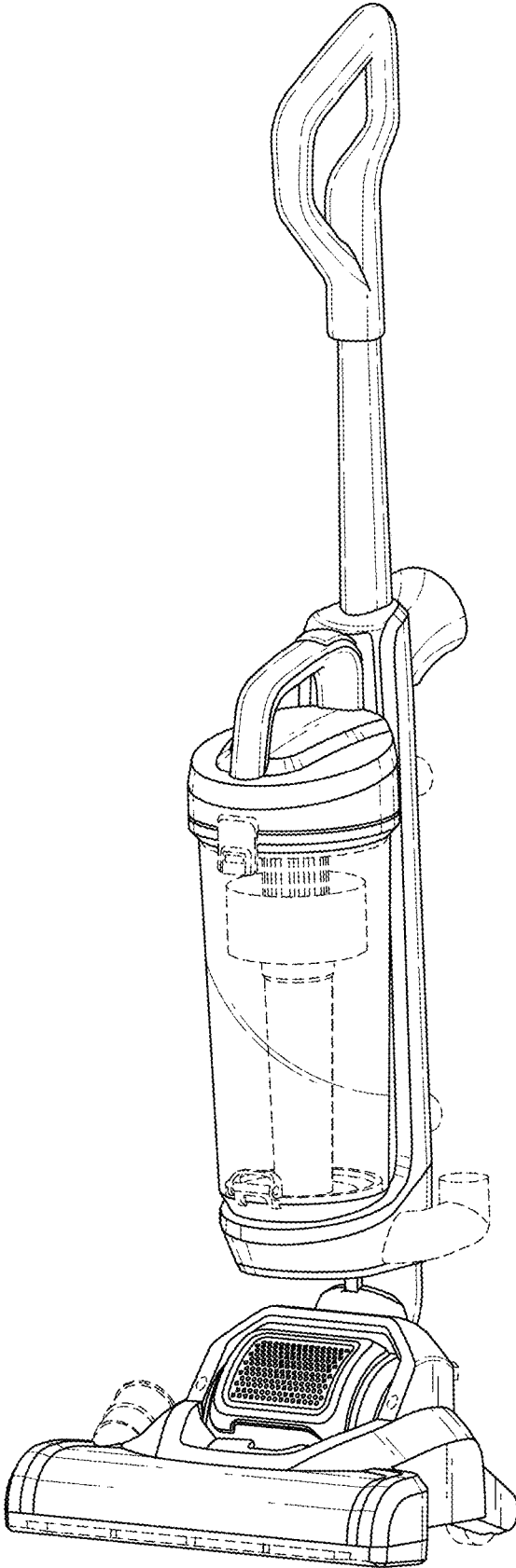
FIG. 1 is a perspective view of the cleaner;  
FIG. 2 is a front view of the cleaner;  
FIG. 3 is a back view of the cleaner;  
FIG. 4 is a left side view of the cleaner;  
FIG. 5 is a right side view of the cleaner; and,  
FIG. 6 is a top view of the cleaner.

The broken lines illustrate portions of the article and form no part of the claimed design.

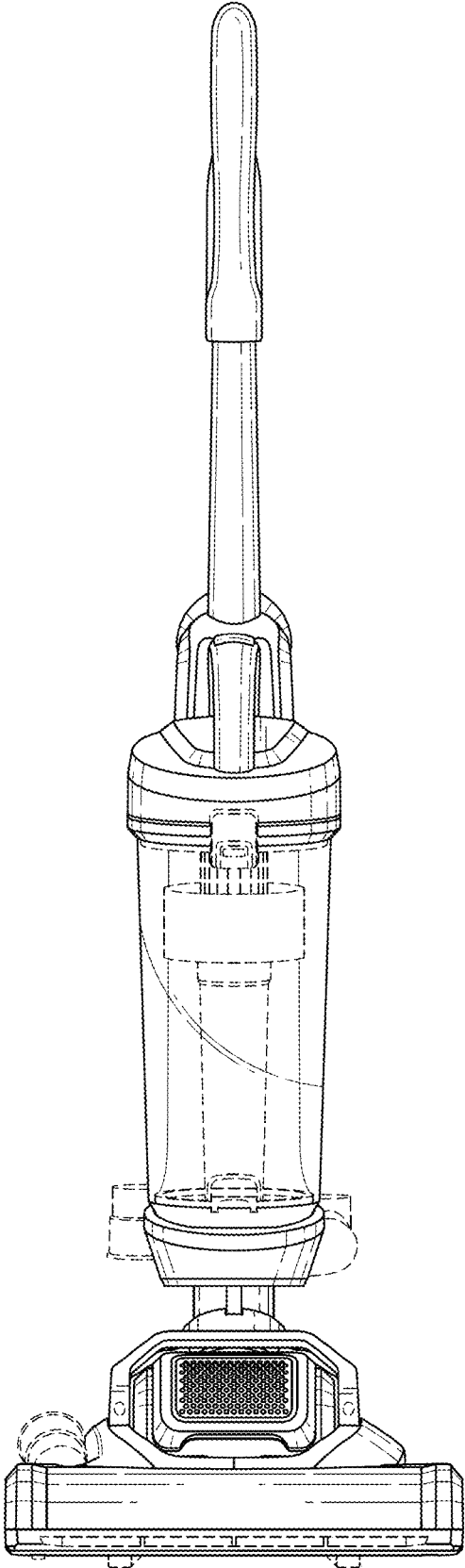
**1 Claim, 6 Drawing Sheets**



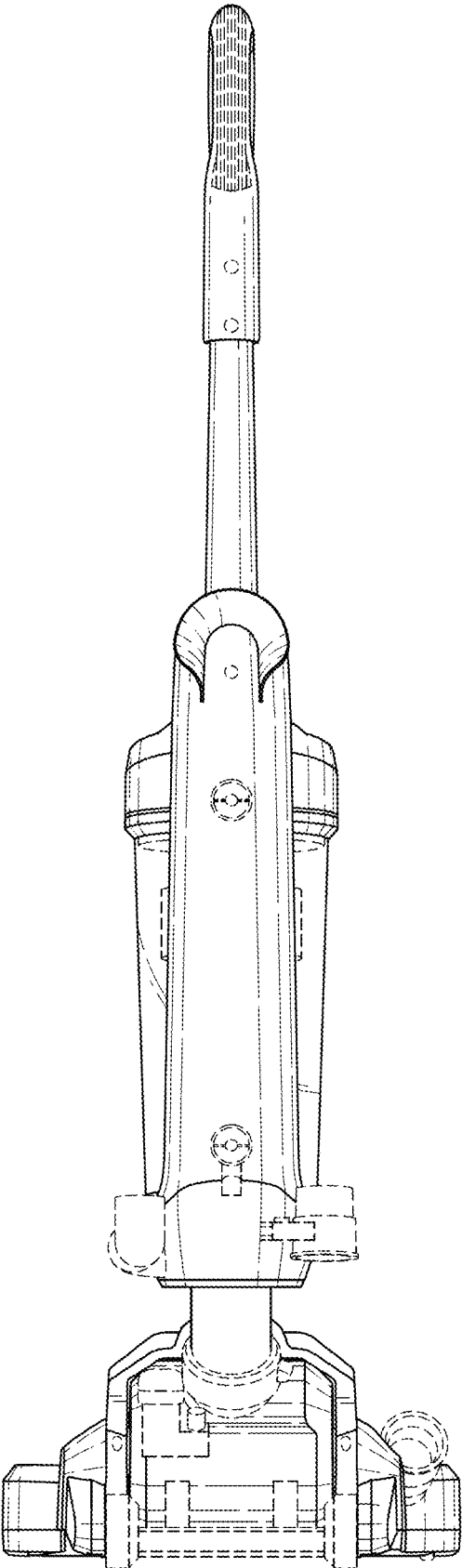
*Fig. 1*



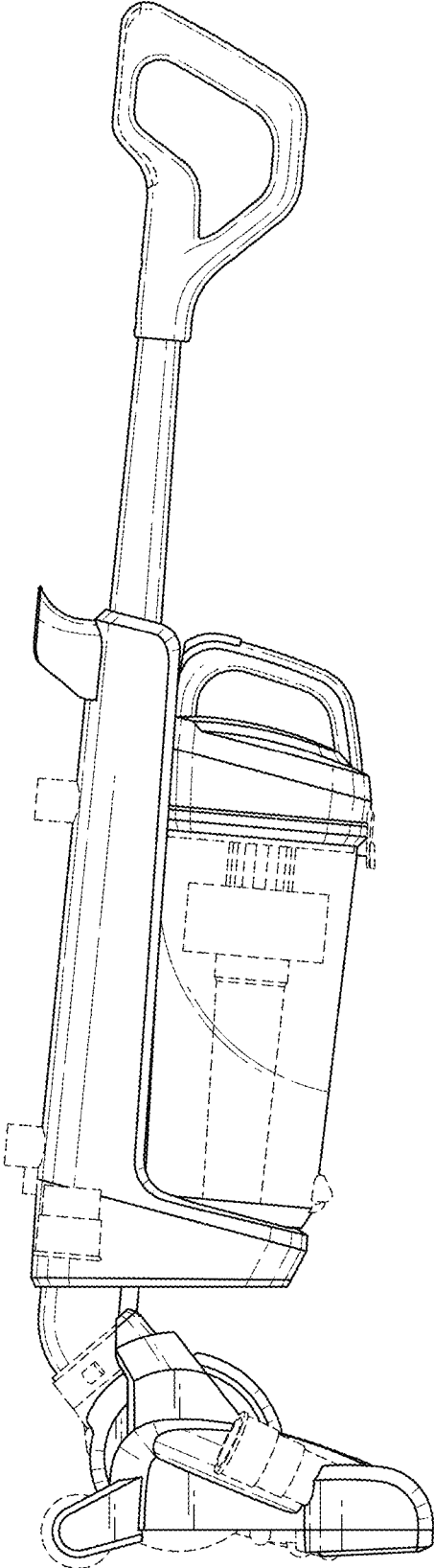
*Fig. 2*



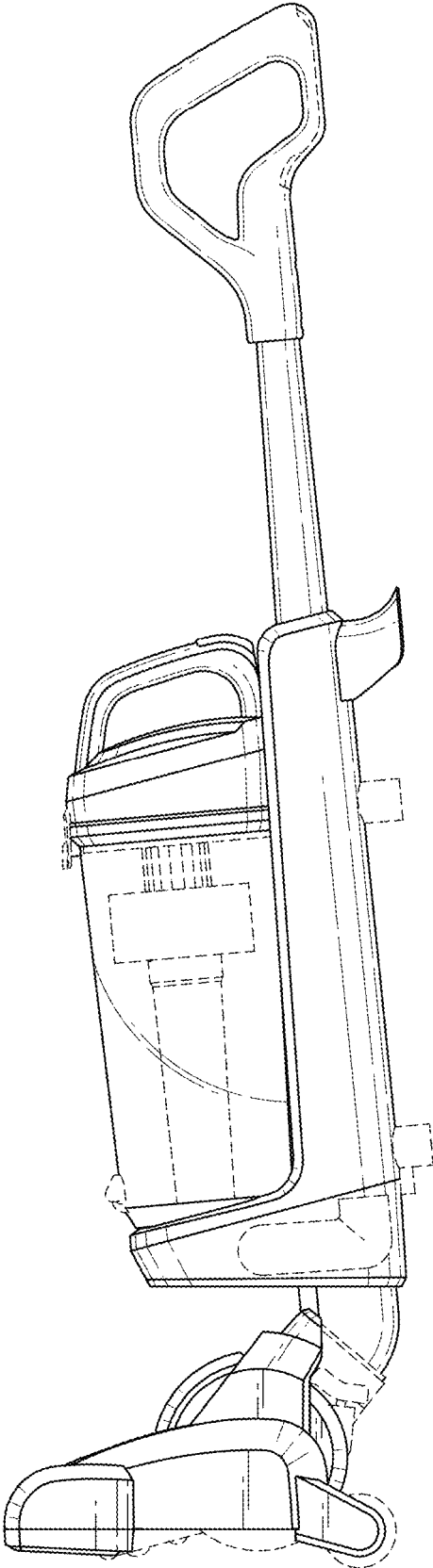
*Fig. 3*



*Fig. 4*



*Fig. 5*



*Fig. 6*

