



US00D466786S

(12) **United States Design Patent** (10) **Patent No.:** **US D466,786 S**  
**Bourgeois et al.** (45) **Date of Patent:** **\*\* Dec. 10, 2002**

- (54) **GRAB HANDLE**
- (75) Inventors: **Luc Bourgeois**, Bromont (CA);  
**Mathieu Gauthier**, Bromont (CA)
- (73) Assignee: **Bombardier Inc.**, Valcourt (CA)
- (\*\*) Term: **14 Years**
- (21) Appl. No.: **29/159,353**
- (22) Filed: **Apr. 22, 2002**
- (51) **LOC (7) Cl.** ..... **08-06**
- (52) **U.S. Cl.** ..... **D8/107; D8/307**
- (58) **Field of Search** ..... **D8/107, 69, 97,**  
**D8/312, 307; 81/177.1, 489; 16/110.1, 421,**  
**422, 430, 431, 444, 446, 419, 420, DIG. 12,**  
**DIG. 41**

(56) **References Cited**  
U.S. PATENT DOCUMENTS

D187,633 S	*	4/1960	Bower	.....	D8/97
D256,405 S	*	8/1980	Wheeler	.....	D3/315
D282,433 S	*	2/1986	Rauen et al.	.....	D7/682
D288,278 S	*	2/1987	Bright	.....	D8/107
D294,988 S	*	3/1988	Goodrich	.....	D32/34
5,351,365 A	*	10/1994	Hauck	.....	16/114 R
5,644,844 A	*	7/1997	Pink	.....	30/276
5,887,315 A	*	3/1999	Rogers	.....	16/125
D456,237 S	*	4/2002	Sokurenko et al.	.....	D8/307

\* cited by examiner

*Primary Examiner*—Alan P. Douglas  
*Assistant Examiner*—Clare E. Heflin  
 (74) *Attorney, Agent, or Firm*—Pillsbury Winthrop LLP

(57) **CLAIM**

The ornamental design for a grab handle, as shown and described.

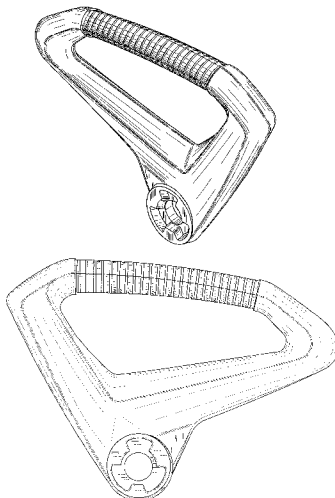
**DESCRIPTION**

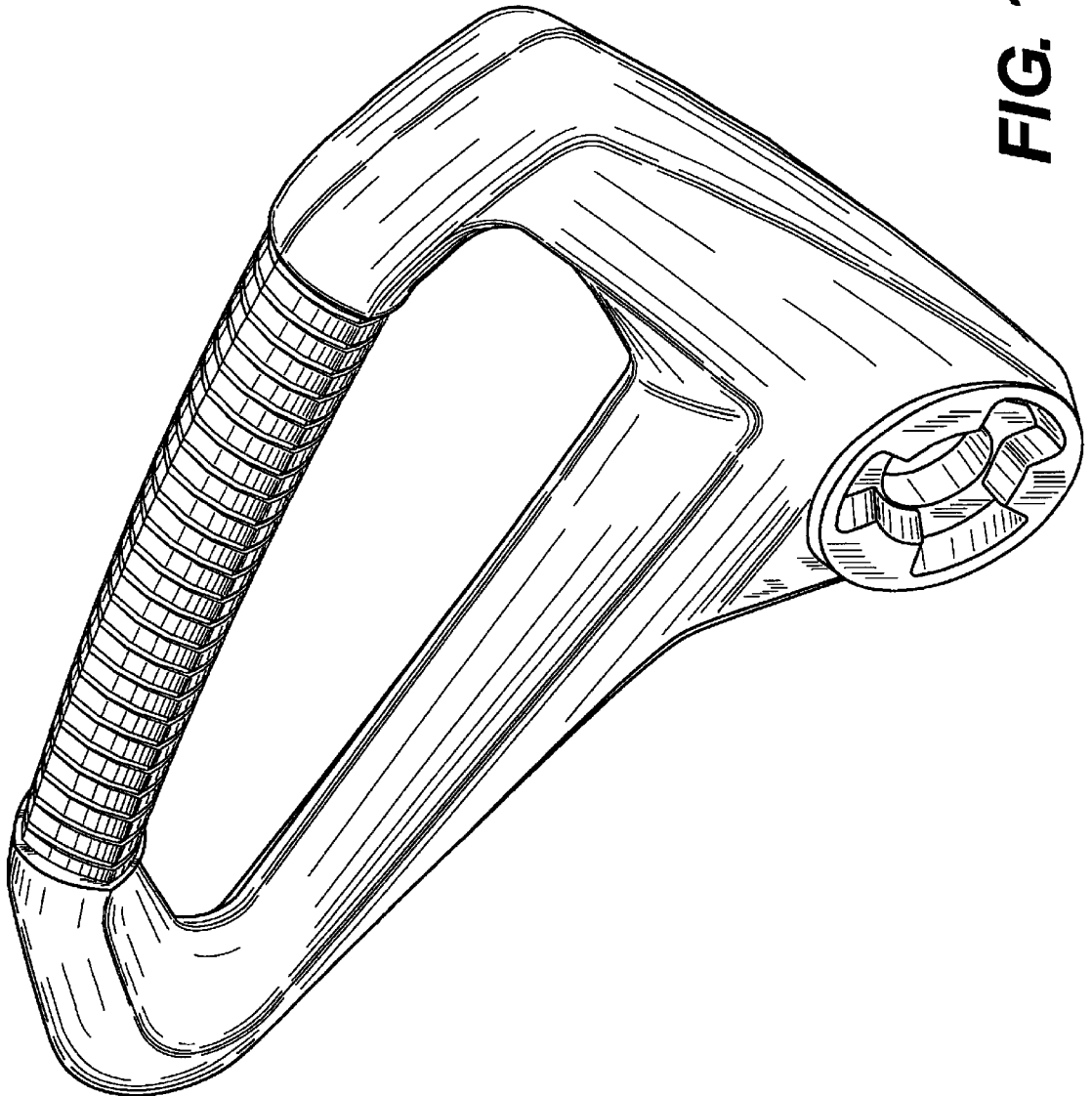
FIG. 1 is a perspective illustration, from the rear and left

side, of the grab handle of our design;  
 FIG. 2 is a rear view thereof;  
 FIG. 3 is a front view thereof;  
 FIG. 4 is a right side view thereof;  
 FIG. 5 is a left side view thereof;  
 FIG. 6 is a top view thereof;  
 FIG. 7 is a bottom view thereof;  
 FIG. 8 is a perspective illustration, from the rear and left side, of a second embodiment of the grab handle of our design;  
 FIG. 9 is a rear view thereof;  
 FIG. 10 is a front view thereof;  
 FIG. 11 is a right side view thereof;  
 FIG. 12 is a left side view thereof;  
 FIG. 13 is a top view thereof;  
 FIG. 14 is a bottom view thereof;  
 FIG. 15 is a perspective illustration, from the rear and left side, of a third embodiment of the grab handle of our design;  
 FIG. 16 is a rear view thereof;  
 FIG. 17 is a front view thereof;  
 FIG. 18 is a right side view thereof;  
 FIG. 19 is a left side view thereof;  
 FIG. 20 is a top view thereof; and,  
 FIG. 21 is a bottom view thereof.

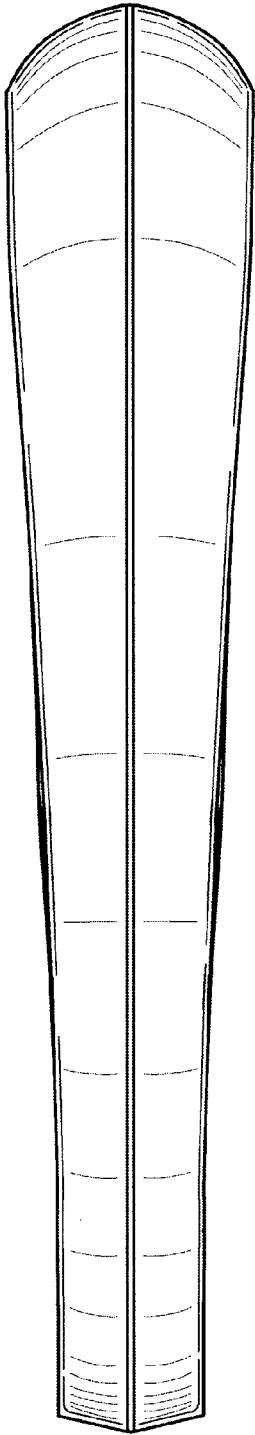
Where included, broken lines showing environment or structure are for illustrative purposes only and form no part of the claimed design. The omission of a view is meant to indicate that the view is plain and unornamented.

**1 Claim, 15 Drawing Sheets**

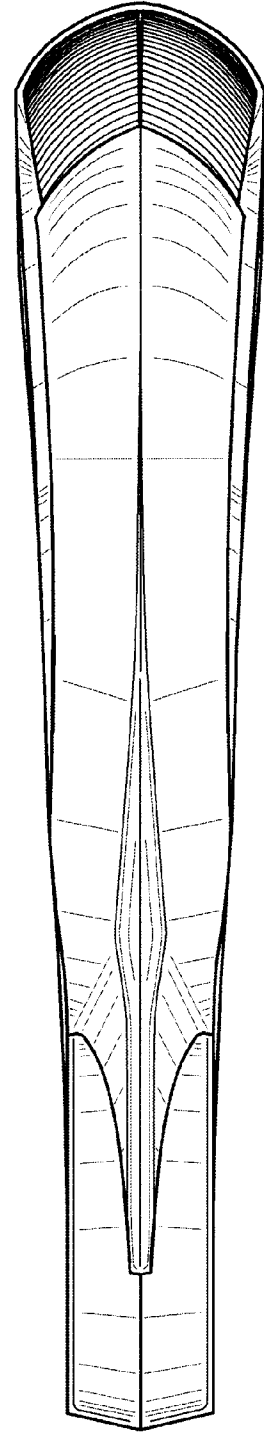




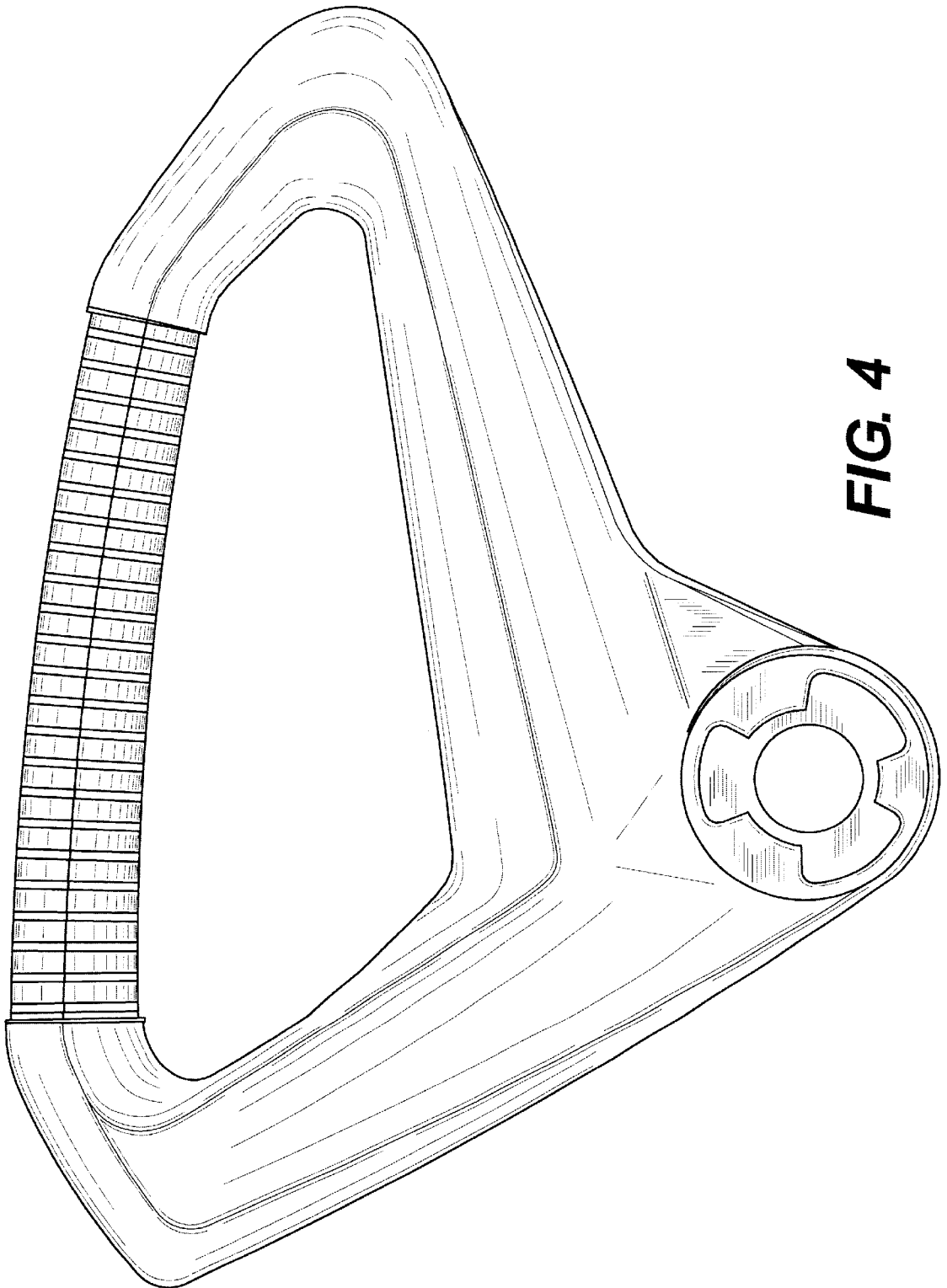
**FIG. 1**



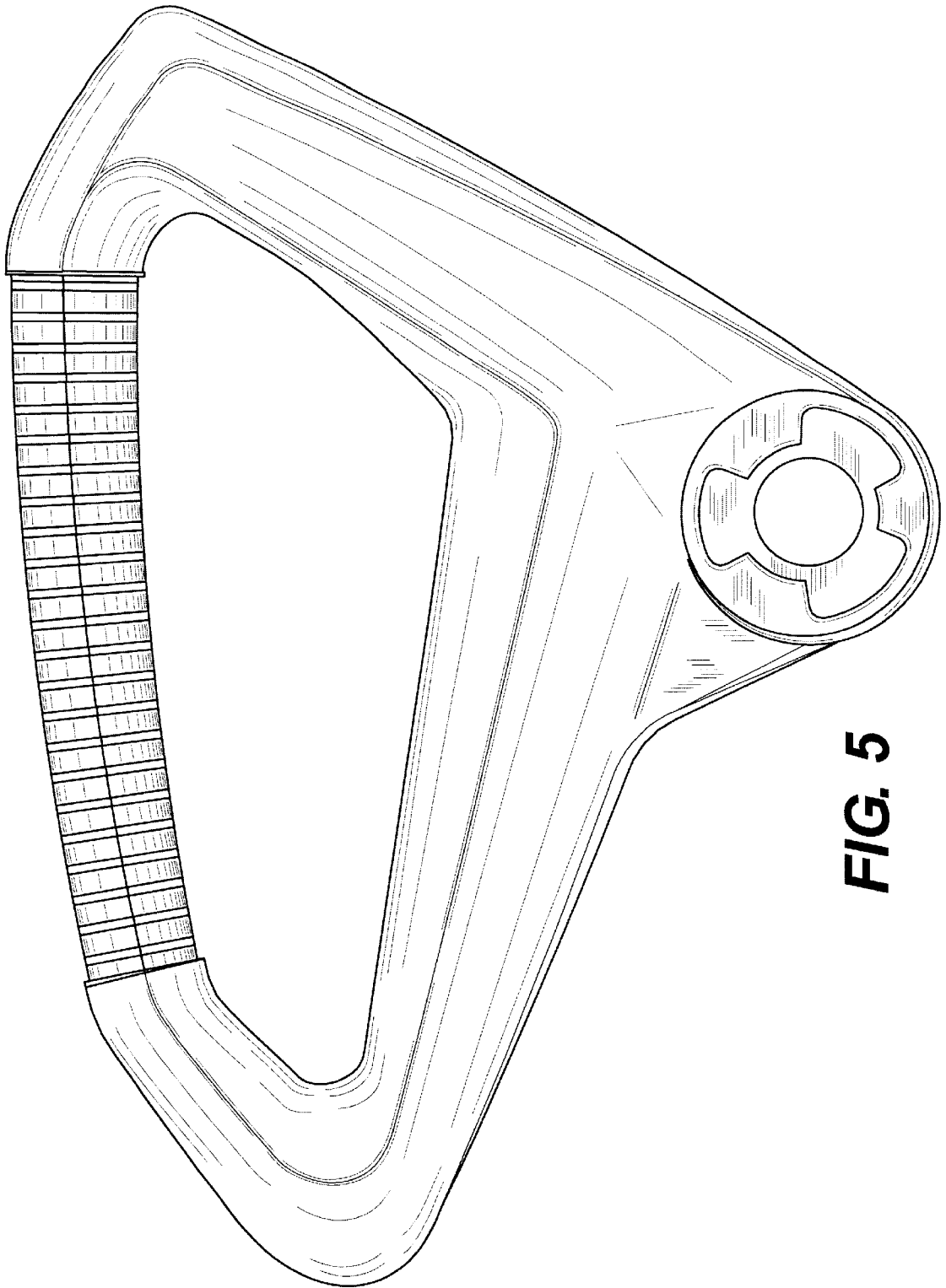
**FIG. 2**



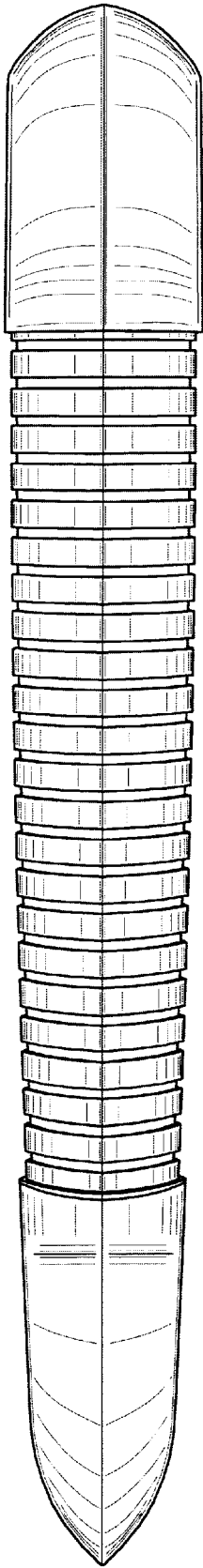
**FIG. 3**



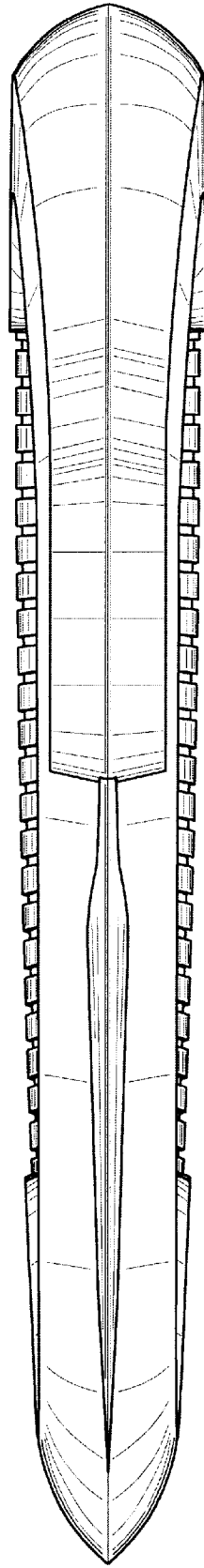
**FIG. 4**



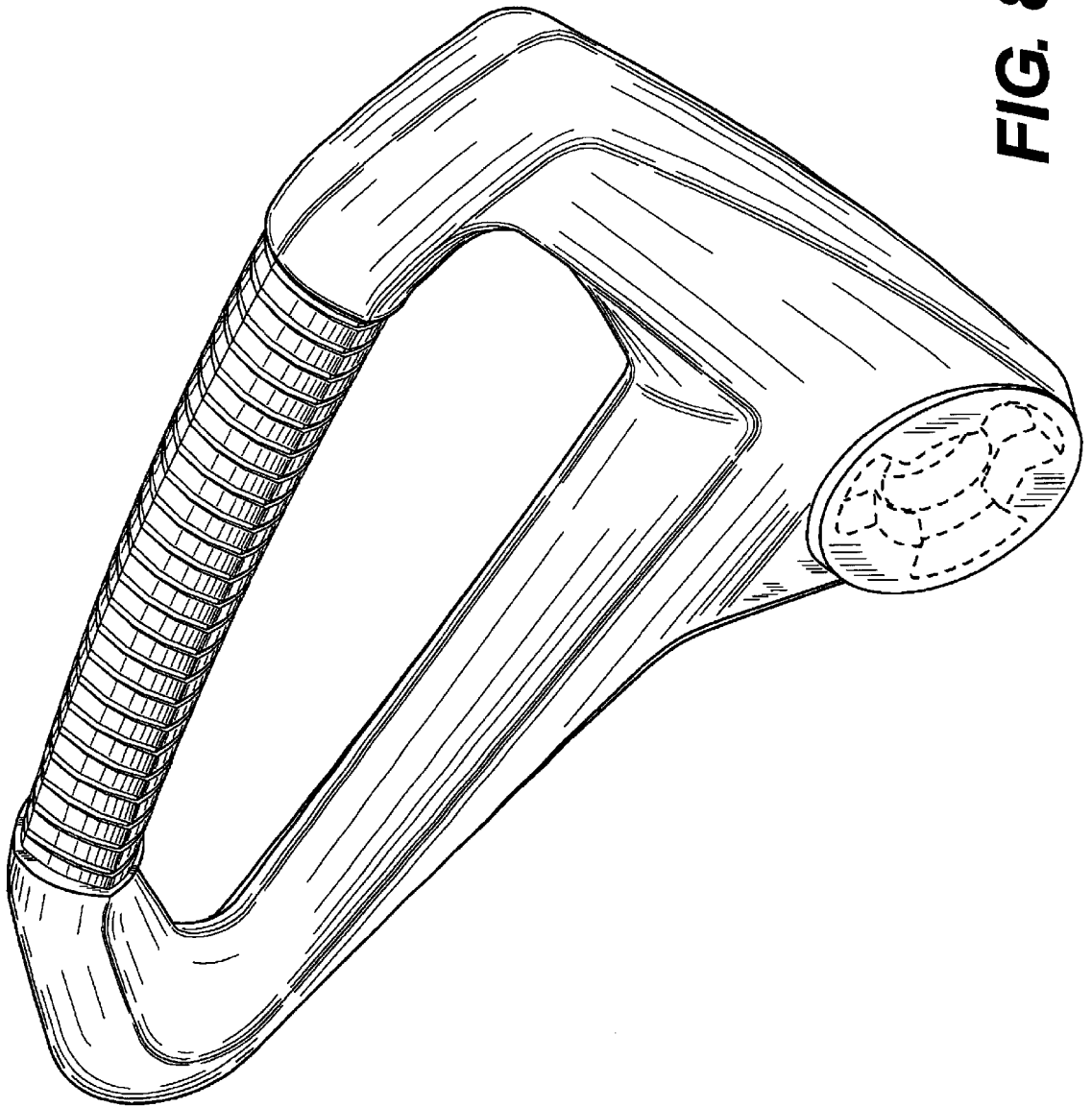
**FIG. 5**



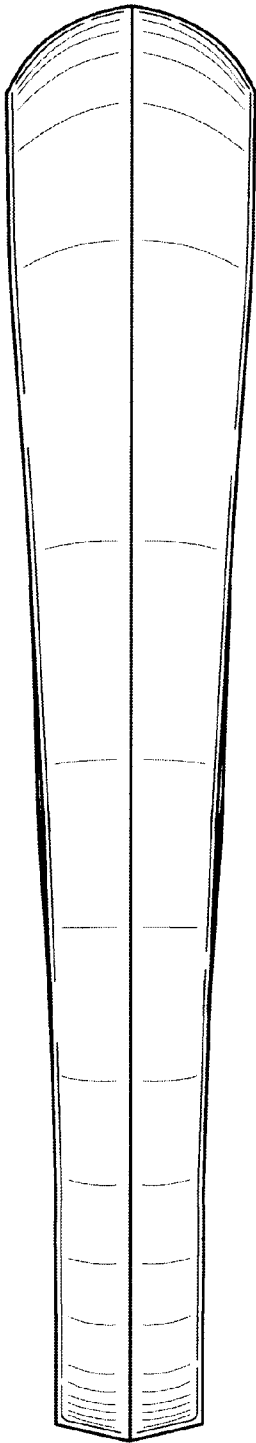
**FIG. 6**



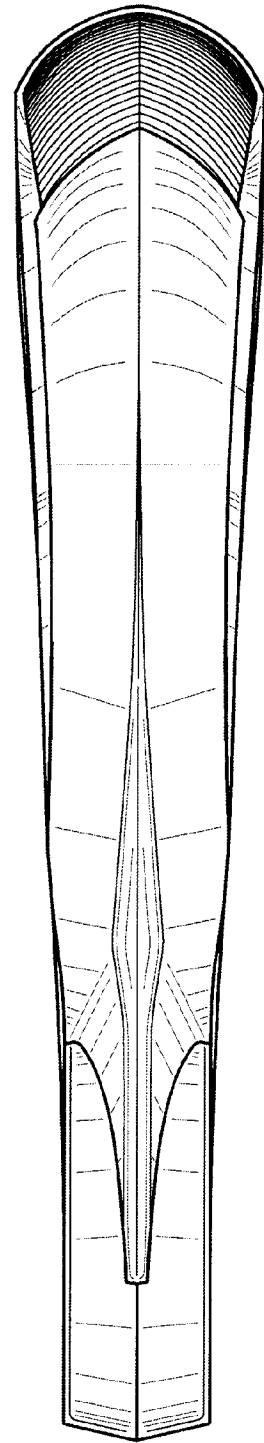
**FIG. 7**



**FIG. 8**

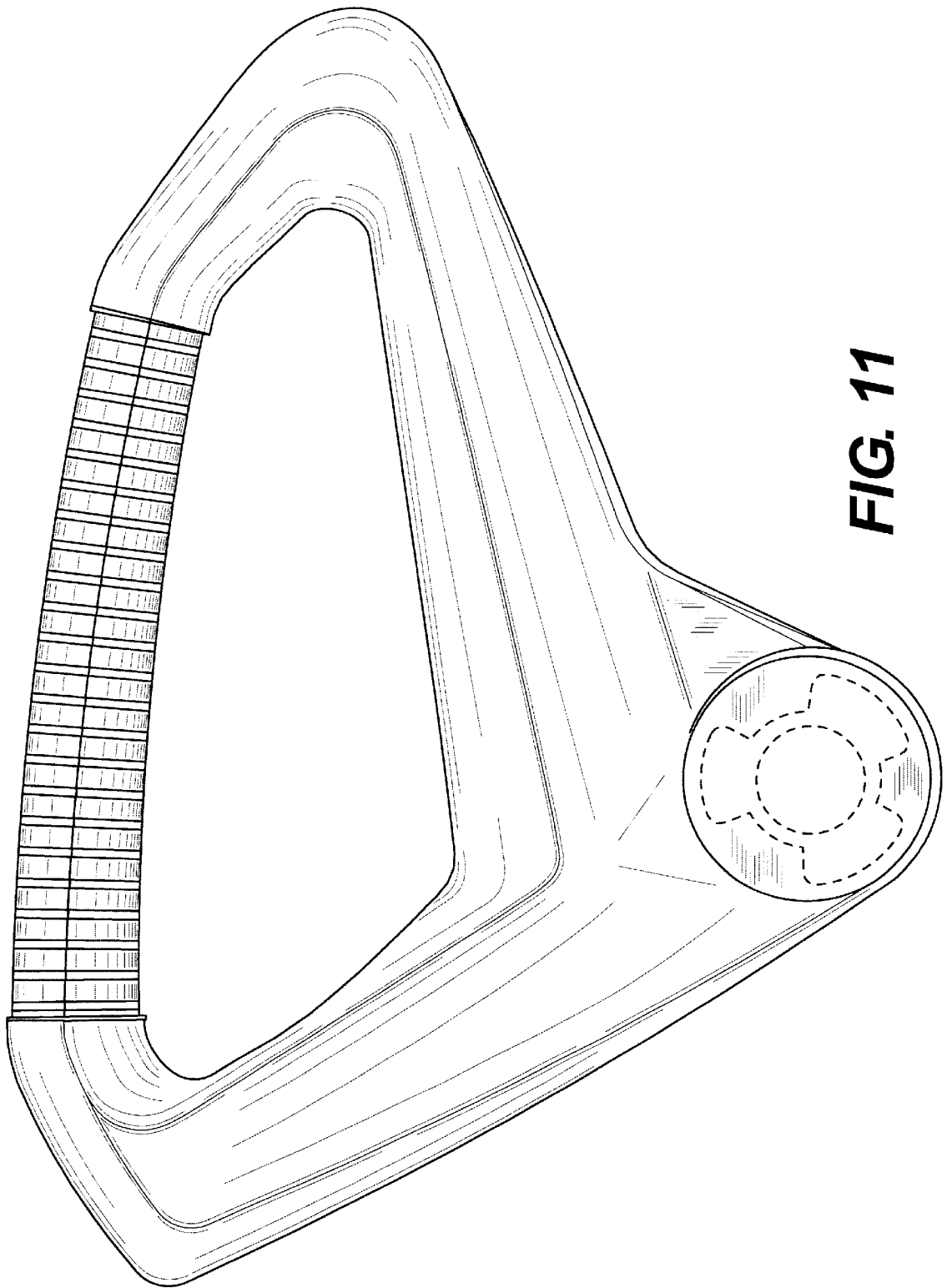


**FIG. 9**

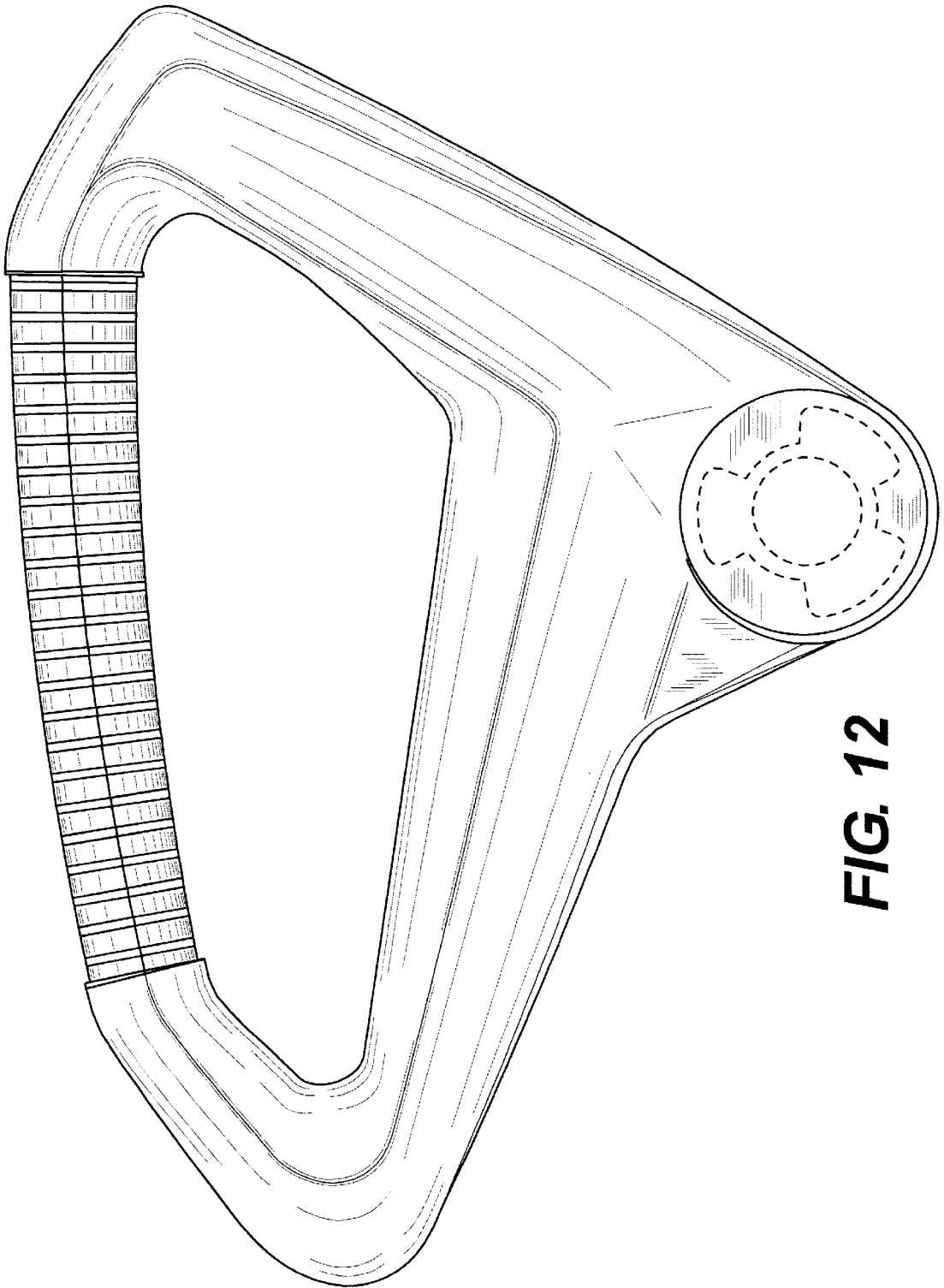


**FIG. 10**

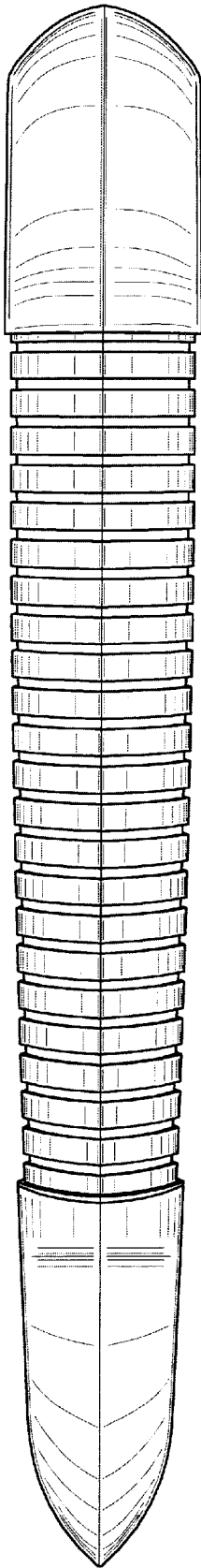




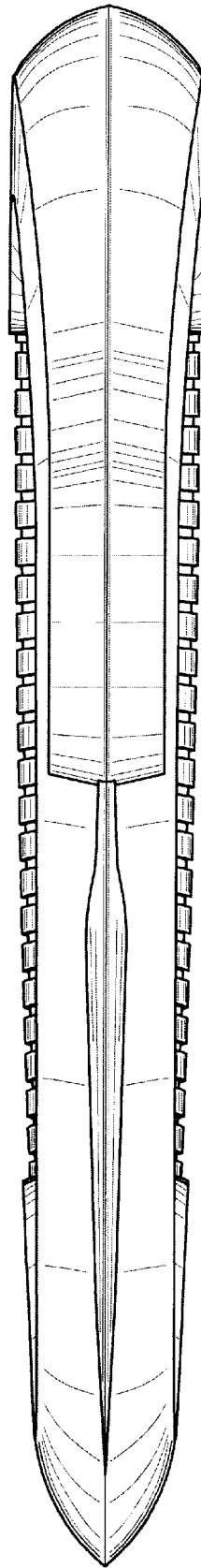
**FIG. 11**



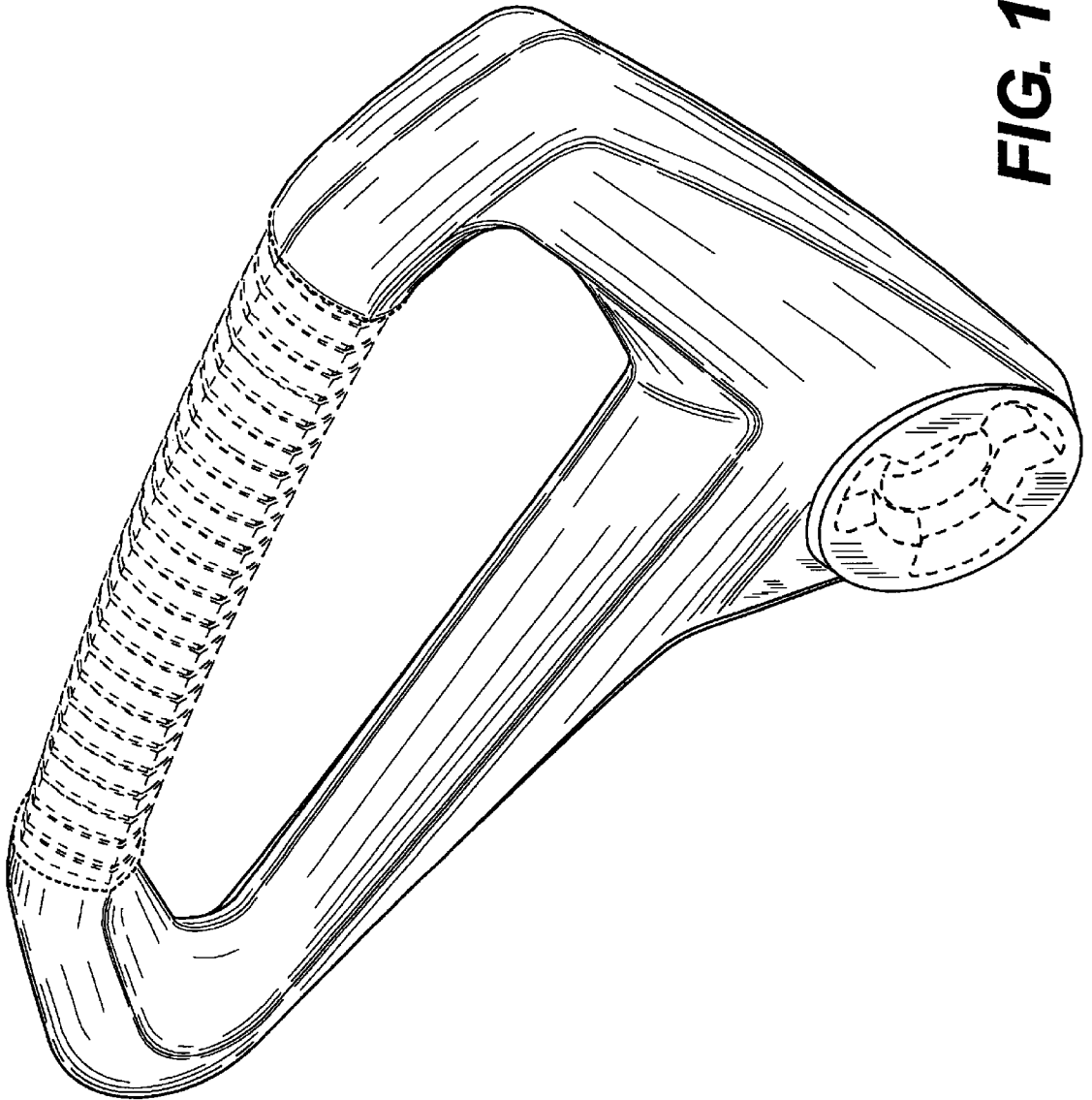
**FIG. 12**



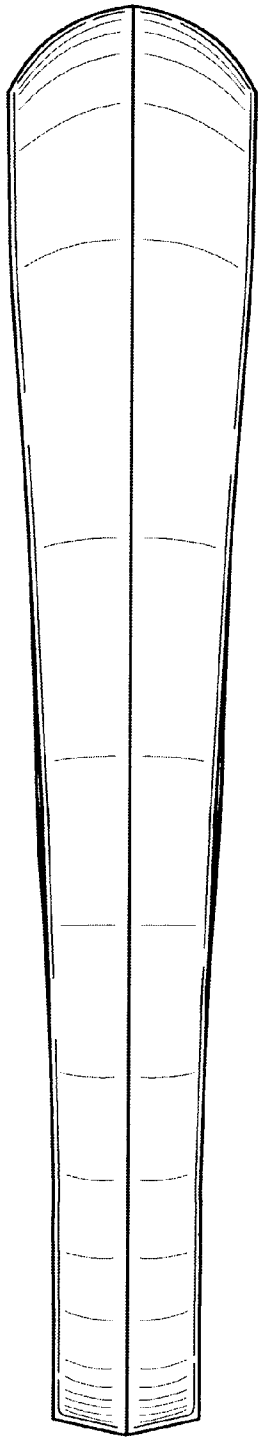
**FIG. 13**



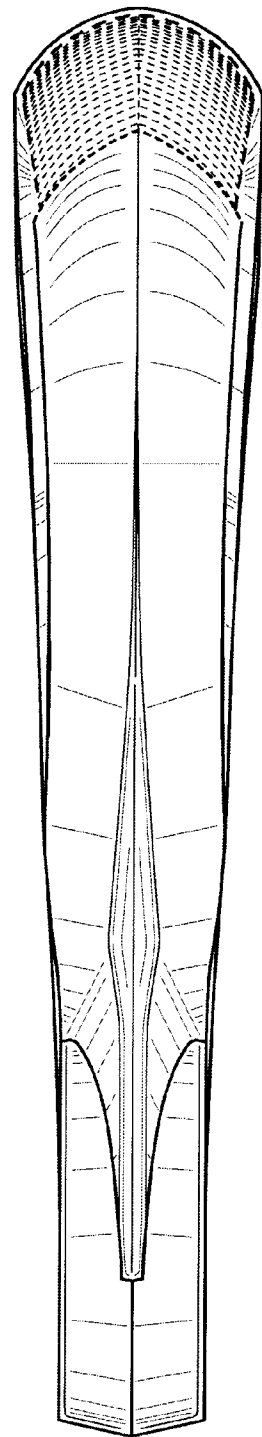
**FIG. 14**



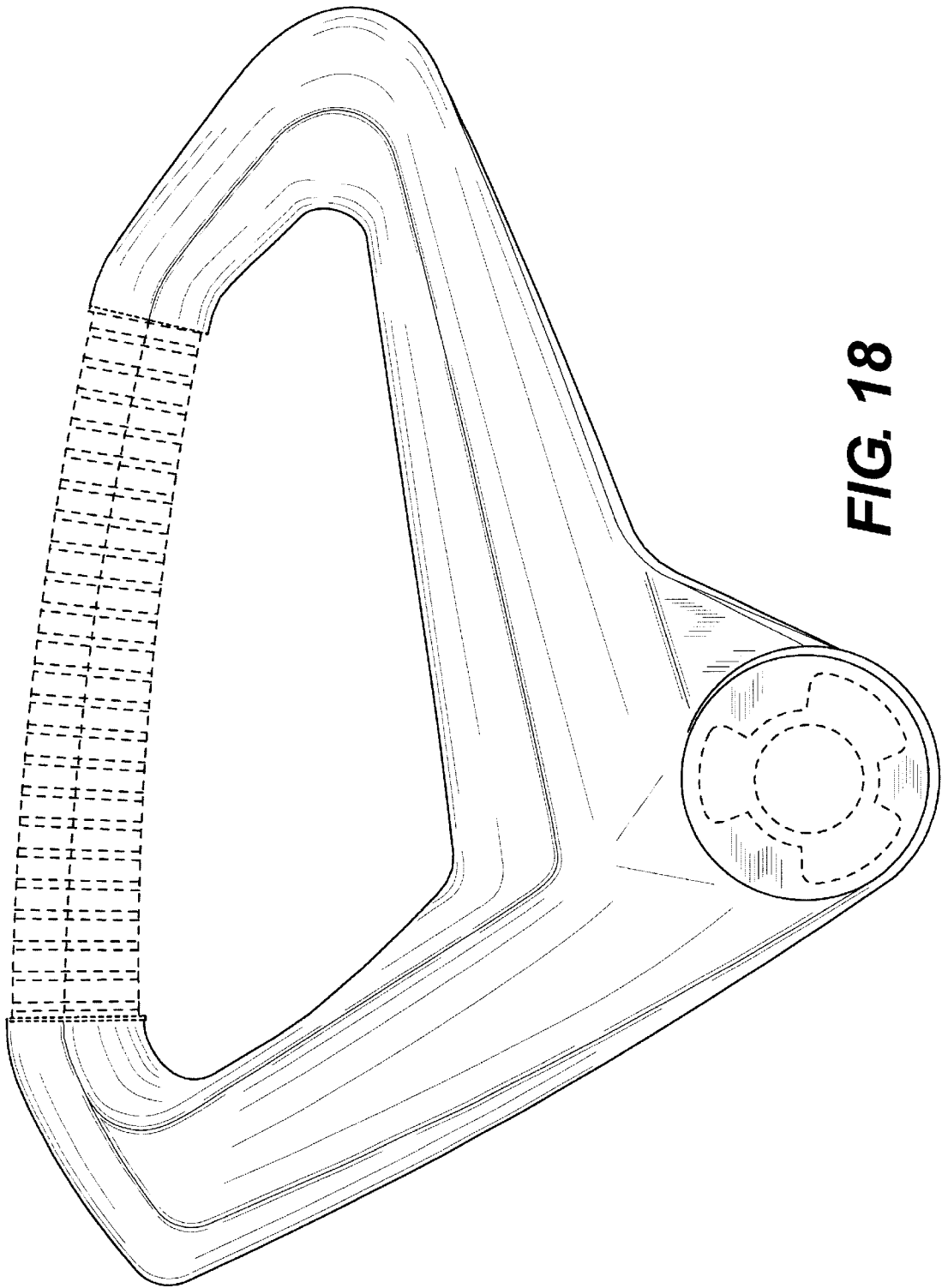
**FIG. 15**



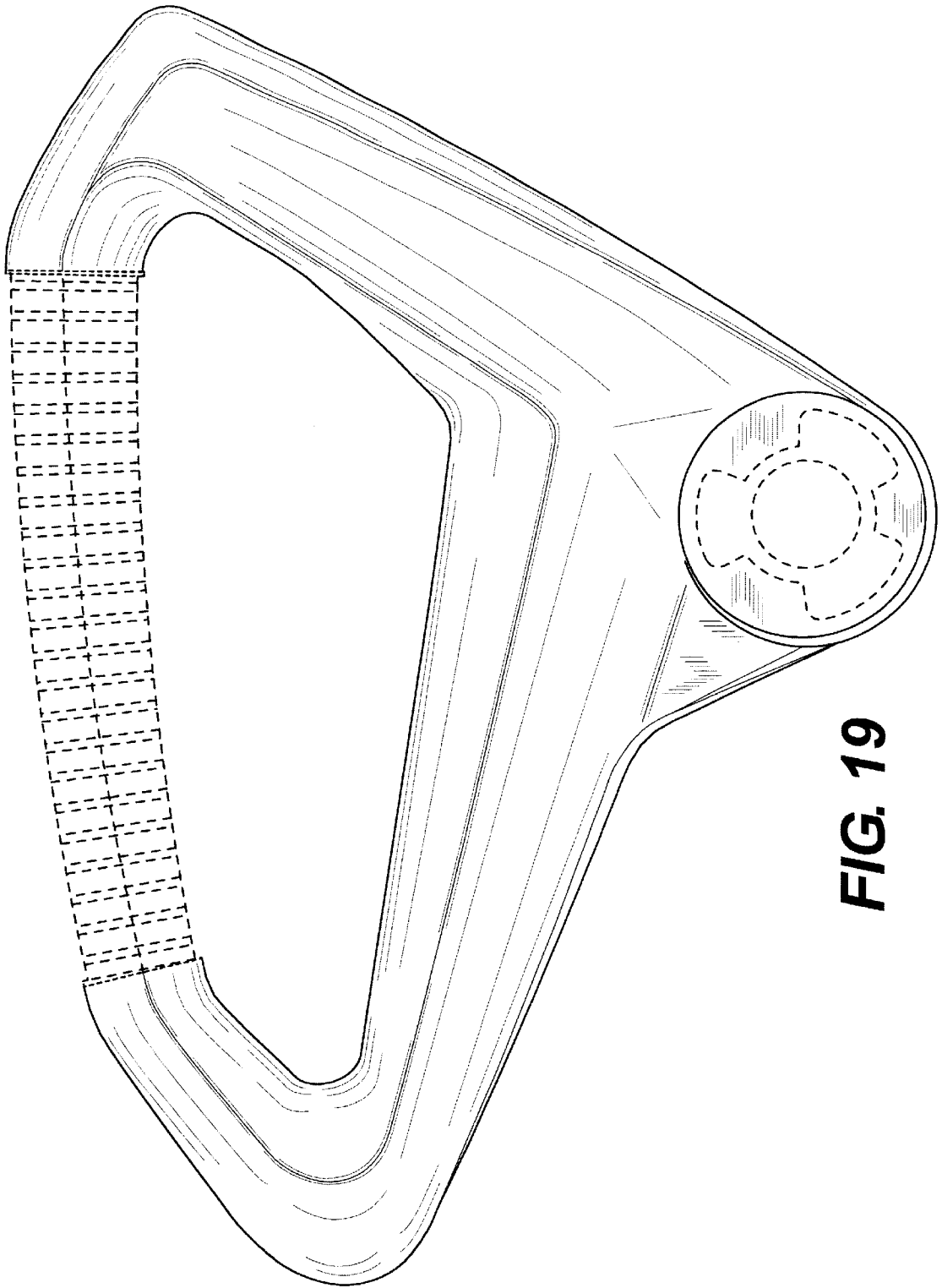
**FIG. 16**



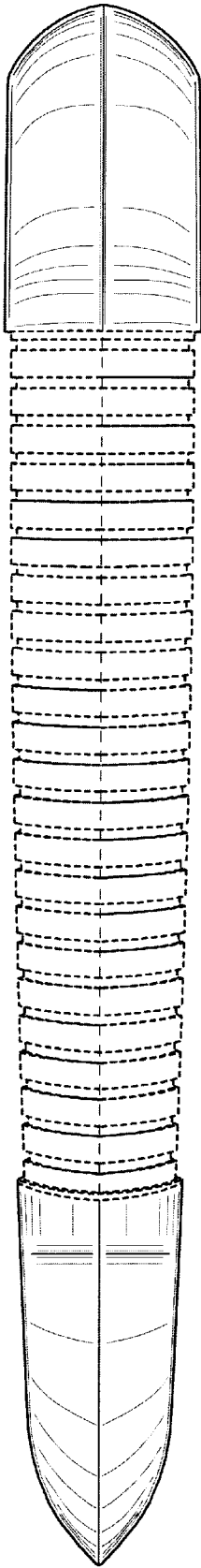
**FIG. 17**



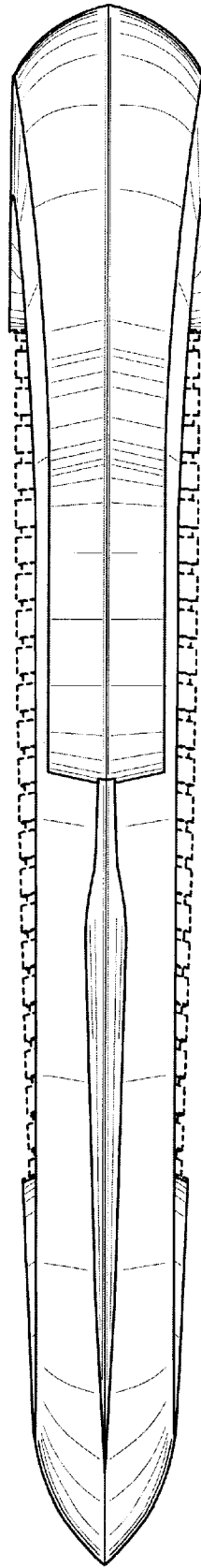
**FIG. 18**



**FIG. 19**



**FIG. 20**



**FIG. 21**