



US00D928734S

(12) **United States Design Patent**
Brunner et al.

(10) **Patent No.:** **US D928,734 S**

(45) **Date of Patent:** **** *Aug. 24, 2021**

(54) **HEADSET**

(71) Applicant: **Apple Inc.**, Cupertino, CA (US)

(72) Inventors: **Robert Brunner**, Glen Ellen, CA (US);
Christopher Kuh, San Francisco, CA (US)

(73) Assignee: **Apple Inc.**, Cupertino, CA (US)

(*) Notice: This patent is subject to a terminal disclaimer.

(**) Term: **15 Years**

(21) Appl. No.: **29/713,080**

(22) Filed: **Nov. 13, 2019**

Related U.S. Application Data

(60) Continuation of application No. 29/634,460, filed on Jan. 22, 2018, now Pat. No. Des. 867,327, which is a continuation of application No. 29/568,227, filed on Jun. 16, 2016, now Pat. No. Des. 809,477, which is a continuation of application No. 29/527,761, filed on May 21, 2015, now Pat. No. Des. 760,688, which is a continuation of application No. 29/490,833, filed on May 14, 2014, now Pat. No. Des. 732,503, which is a continuation of application No. 29/471,109, filed on Oct. 28, 2013, now Pat. No. Des. 709,860, which is a
(Continued)

(51) **LOC (13) Cl.** **14-01**

(52) **U.S. Cl.**
USPC **D14/205**

(58) **Field of Classification Search**

USPC D14/205, 223, 206, 218, 195, 188, 192,
D14/217, 408, 155, 168; D29/112;
2/209; 381/380, 381, 370; D21/444;
446/46; 473/589; 455/90.3, 575.1,
455/569.1; D26/88, 89
CPC H04R 25/00; H04R 25/02; H04R 1/1066;
H04R 1/1016; H04R 5/033; H04R
5/0335; H04R 1/1091

See application file for complete search history.

(56) **References Cited**

U.S. PATENT DOCUMENTS

1,066,511 A 7/1913 Markoff
1,367,746 A 2/1921 Kent
(Continued)

FOREIGN PATENT DOCUMENTS

EM 001334221-0001 7/2012
GB 2072035 B 1/1998
(Continued)

OTHER PUBLICATIONS

Office Action dated Dec. 10, 2010 for Russian Report Application No. 2010501890.

(Continued)

Primary Examiner — Paula Allen Greene

(74) *Attorney, Agent, or Firm* — Sterne, Kessler, Goldstein & Fox P.L.L.C.

(57) **CLAIM**

The ornamental design for a headset, as shown and described.

DESCRIPTION

FIG. 1 is a front perspective view of a headset showing the claimed design;

FIG. 2 is a rear view thereof;

FIG. 3 is a bottom view thereof;

FIG. 4 is a front view thereof;

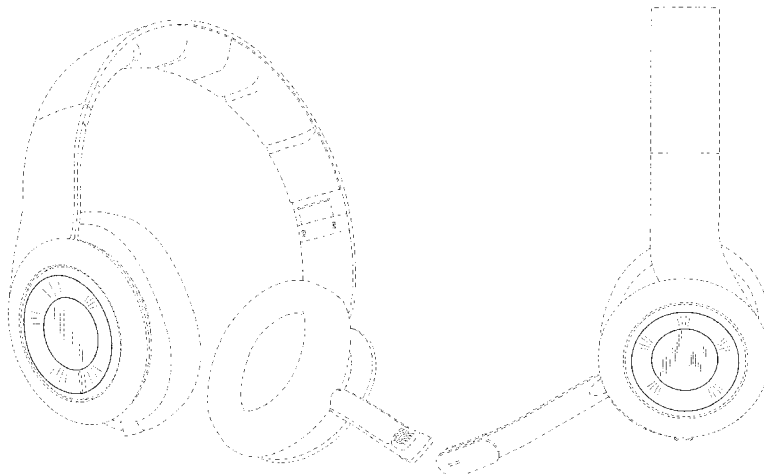
FIG. 5 is a right side view thereof;

FIG. 6 is a left side view thereof; and,

FIG. 7 is a top view thereof.

The broken lines in the figures show portions of the headset that form no part of the claimed design.

1 Claim, 7 Drawing Sheets



Related U.S. Application Data

division of application No. 29/410,584, filed on Jan.
9, 2012, now Pat. No. Des. 692,410.

(56)

References Cited

U.S. PATENT DOCUMENTS

1,615,028	A *	1/1927	Morser	H04M 1/19	D502,938	S	3/2005	Tokioka et al.	
				381/371	D504,414	S	4/2005	Yoshida	
1,648,832	A *	11/1927	Urban	H04R 1/1008	D504,883	S	5/2005	Jacobson et al.	
				181/129	D508,247	S *	8/2005	Fisher	382/124
2,149,341	A	3/1939	Harrison		D512,381	S	12/2005	Sirichai et al.	
2,640,699	A	6/1953	Garbo		D512,417	S	12/2005	Hirakawa et al.	
3,104,398	A	9/1963	Palmaer		D512,708	S	12/2005	Harris, Jr. et al.	
D203,677	S	2/1966	Spilman et al.		D512,981	S	12/2005	Jacobson et al.	
3,359,678	A	12/1967	Headrick		D514,086	S	1/2006	Skulley	
3,580,580	A	5/1971	Wark et al.		D517,043	S	3/2006	Jacobson et al.	
D229,833	S	1/1974	Becker		D517,528	S	3/2006	Skulley	
D244,300	S	5/1977	Besasio		7,072,483	B2	7/2006	Lenhard-Backhaus	
4,114,885	A	9/1978	Morrow		D532,407	S	11/2006	Motoishi	
4,173,715	A	11/1979	Gosman		D534,155	S	12/2006	Obata	
D254,183	S	2/1980	Doodson		D534,156	S	12/2006	Obata	
D254,876	S	5/1980	Reitenga et al.		7,172,052	B2	2/2007	Lenhard-Backhaus	
D255,352	S	6/1980	Besasio		D539,788	S	4/2007	Thompson et al.	
4,288,942	A *	9/1981	Nicholl	A63H 33/18	D540,301	S *	4/2007	Obata	D14/205
				446/48	D540,303	S	4/2007	Rausch et al.	
4,306,121	A	12/1981	Joscelyn et al.		D540,778	S	4/2007	Thompson et al.	
4,378,824	A *	4/1983	Carder, Sr.	B67D 7/48	D541,255	S	4/2007	Taylor et al.	
				137/382.5	D541,256	S	4/2007	Rausch et al.	
4,385,209	A	5/1983	Greason et al.		D541,257	S	4/2007	Thursfield	
4,404,445	A	9/1983	Baran et al.		D552,077	S	10/2007	Brunner et al.	
D274,516	S *	7/1984	Walker, Jr.	D14/249	D557,684	S	12/2007	Pundsack et al.	
4,609,786	A	9/1986	Omoto et al.		D560,654	S	1/2008	Feng	
D286,874	S	11/1986	Bertagna et al.		D563,382	S	3/2008	Wikel	
4,634,816	A	1/1987	O'Malley et al.		D563,995	S	3/2008	Deguchi et al.	
4,875,233	A	10/1989	Derhaag et al.		7,356,362	B2	4/2008	Chang et al.	
D307,275	S *	4/1990	Pollard	379/452	D582,890	S	12/2008	Koza et al.	
D313,092	S	12/1990	Nilsson		D584,715	S	1/2009	Brennwald	
5,018,599	A	5/1991	Dohi et al.		D585,870	S *	2/2009	Zheng	D14/205
5,035,005	A	7/1991	Hung		D585,871	S	2/2009	Lee	
D328,074	S	7/1992	Yamazaki et al.		D585,872	S	2/2009	Lee	
D328,461	S	8/1992	Daido et al.		D588,098	S	3/2009	Kurihara	
D338,010	S	8/1993	Yamatogi		D588,100	S	3/2009	Densho et al.	
5,288,256	A *	2/1994	Lee	A63H 33/18	D591,263	S	4/2009	Shimizu	
				222/78	D592,182	S *	5/2009	Sanguinetti	D14/205
D351,172	S	10/1994	Nakamura et al.		D592,640	S	5/2009	Tkachuk	
D358,389	S	5/1995	Isono		D593,995	S	6/2009	Shimizu	
D358,391	S *	5/1995	Isono	D14/205	D600,674	S	9/2009	Brennwald	
D374,658	S	10/1996	Bever et al.		D602,906	S	10/2009	Groves et al.	
D375,825	S	11/1996	Whidden		D603,370	S	11/2009	Suzuki	
D386,223	S *	11/1997	Imai	D21/444	D603,371	S	11/2009	Boaleng et al.	
D390,282	S *	2/1998	Burdick	D21/443	D616,865	S	6/2010	Marchand et al.	
D392,629	S	3/1998	Amafuji et al.		D617,769	S	6/2010	Birger	
D394,649	S	5/1998	Pombo		D617,771	S	6/2010	Groves et al.	
5,812,680	A *	9/1998	Glendon	H04R 25/60	7,735,154	B2	6/2010	Gellis et al.	
				381/322	D625,705	S	10/2010	Ohoi et al.	
D403,128	S	12/1998	Scanlon et al.		D632,668	S *	2/2011	Brunner	D14/205
D407,985	S *	4/1999	Pimentel	D10/104.2	D633,896	S	3/2011	Kondo et al.	
D420,356	S	2/2000	Suzuki		D635,959	S	4/2011	Hutchieson	
D422,592	S	4/2000	Deguchi		D637,176	S *	5/2011	Brunner	D14/205
6,081,604	A	6/2000	Hikichi et al.		D637,998	S	5/2011	Brunner et al.	
D430,140	S	8/2000	Roman		D637,999	S	5/2011	Brunner et al.	
D435,249	S	12/2000	Yasutomi		D638,000	S	5/2011	Hoggarth	
6,163,615	A	12/2000	Callahan		D639,776	S	6/2011	Arimoto	
6,195,839	B1	3/2001	Patterson et al.		D641,725	S	7/2011	Chong et al.	
D457,512	S	5/2002	Yoneda		D643,833	S *	8/2011	Lee	D14/223
6,449,806	B1	9/2002	Engelhard et al.		D646,280	S *	10/2011	Yano	D14/412
D468,723	S	1/2003	Pham et al.		D648,330	S	11/2011	Fischer	
6,560,346	B2	5/2003	Ohta et al.		D652,017	S	1/2012	Groves et al.	
D482,484	S *	11/2003	Benghozi	D26/85	D652,405	S	1/2012	Lee et al.	
D484,485	S	12/2003	Matsuoka		D652,406	S	1/2012	Lee et al.	
6,654,966	B2	12/2003	Rolla		D654,471	S	2/2012	Fischer	
D484,868	S	1/2004	Suzuki		D654,472	S	2/2012	Fischer	
6,678,897	B2	1/2004	Lindgren		D657,344	S	4/2012	Brunner et al.	
D487,733	S *	3/2004	Lucaci	D14/137	D657,345	S *	4/2012	Brunner	H04R 1/1008
D491,163	S	6/2004	Green						D14/205
					D657,776	S	4/2012	Lee et al.	
					D660,823	S	5/2012	Hardi et al.	
					D660,824	S	5/2012	Hardi et al.	
					D660,826	S	5/2012	Brunner et al.	
					D662,490	S	6/2012	McSweyn	
					D663,716	S	7/2012	Hardi et al.	
					D667,381	S *	9/2012	Rolli	D13/168
					D673,136	S	12/2012	Kelly et al.	
					D673,518	S	1/2013	Tan	
					D673,520	S	1/2013	Tan	

(56)

References Cited

U.S. PATENT DOCUMENTS

D674,767 S 1/2013 Brunner et al.
 D675,595 S 2/2013 Cho et al.
 D677,647 S 3/2013 Lee et al.
 D677,648 S 3/2013 Lee et al.
 D682,934 S * 5/2013 Keramoal D19/164
 D683,329 S 5/2013 Hagelin
 D686,597 S 7/2013 Lee et al.
 D688,313 S 8/2013 Brunner et al.
 D689,843 S 9/2013 Lee
 D691,112 S * 10/2013 Brunner D14/206
 D691,579 S 10/2013 Lee et al.
 D691,984 S 10/2013 Wang
 D692,410 S * 10/2013 Brunner H04R 1/1008
 D14/206
 D693,791 S 11/2013 Troy
 D696,226 S 12/2013 Brunner et al.
 D698,749 S * 2/2014 Brunner D14/206
 D700,904 S * 3/2014 Miller D14/218
 D704,163 S 5/2014 Brunner et al.
 D709,860 S * 7/2014 Brunner H04S 1/005
 D14/205
 8,774,442 B2 7/2014 Huang
 D711,348 S 8/2014 Yang
 8,831,266 B1 9/2014 Huang
 D716,760 S 11/2014 Brunner et al.
 D720,304 S * 12/2014 Haug D13/168
 9,031,275 B2 5/2015 Brodsgaard
 9,036,855 B2 5/2015 Shah
 D731,457 S * 6/2015 Brunner D14/205
 D732,000 S * 6/2015 Brunner D14/205
 D732,503 S * 6/2015 Brunner H04R 1/1008
 D14/205
 D734,296 S * 7/2015 Paterson D14/205
 9,084,055 B2 7/2015 Brunner et al.
 D738,350 S * 9/2015 Brunner D14/205
 D746,792 S * 1/2016 Kim D14/205
 D760,687 S * 7/2016 Brunner D14/205
 D760,688 S * 7/2016 Brunner H04S 1/005
 D14/206
 D764,435 S * 8/2016 Brunner D14/205
 D767,531 S 9/2016 Szymanski
 9,445,185 B2 9/2016 Brunner et al.
 D775,104 S 12/2016 Lee et al.
 D778,258 S * 2/2017 Hsu D14/205
 D780,713 S 3/2017 Szymanski
 D782,995 S 4/2017 Matthews
 D786,824 S 5/2017 Hembrey
 D787,470 S 5/2017 Kelly et al.
 D791,103 S * 7/2017 Brunner D14/205
 D791,733 S * 7/2017 Brunner D14/205
 D794,601 S 8/2017 Riggs et al.
 D795,835 S * 8/2017 Nagamine D14/205
 D797,074 S 9/2017 Martin et al.
 D797,075 S 9/2017 Mauro
 D800,691 S 10/2017 Ando et al.
 D808,358 S 1/2018 Dennis
 D809,477 S * 2/2018 Brunner H04R 1/1008
 D14/205
 D809,478 S 2/2018 Arimoto et al.
 D811,365 S 2/2018 Czaniecki
 D813,837 S * 3/2018 Paterson D14/205
 D814,438 S * 4/2018 Brunner D14/205

D815,614 S 4/2018 Tzeng et al.
 D826,210 S * 8/2018 Chong D14/205
 D826,895 S 8/2018 Sharp et al.
 D827,607 S 9/2018 Ando et al.
 D828,326 S 9/2018 Ye
 D830,333 S 10/2018 Carr
 D832,813 S 11/2018 Levine et al.
 D834,557 S 11/2018 Hardi
 D836,084 S 12/2018 Xie
 D836,600 S 12/2018 Lee et al.
 D838,687 S 1/2019 Wu
 D840,370 S 2/2019 Kelly et al.
 D840,970 S 2/2019 Dryden et al.
 D843,345 S * 3/2019 Brunner D14/205
 D860,969 S * 9/2019 Brunner D14/205
 D863,256 S * 10/2019 Lindof D14/217
 D867,327 S * 11/2019 Brunner H04S 1/005
 D14/205
 D868,729 S * 12/2019 Czaniecki D14/205
 D874,430 S * 2/2020 Liu D14/205
 D875,068 S * 2/2020 Nagamine D14/205
 D889,432 S * 7/2020 Brunner D14/205
 D893,449 S * 8/2020 Tsubone D14/205
 2003/0182713 A1 10/2003 Rolla
 2004/0216946 A1 11/2004 Lenhard-Backhaus
 2005/0053255 A1 3/2005 Harris et al.
 2005/0226452 A1 10/2005 Amae et al.
 2006/0001307 A1 1/2006 Embach
 2006/0062417 A1 3/2006 Tachikawa
 2006/0104471 A1 5/2006 Tsunoda et al.
 2008/0056525 A1 3/2008 Fujiwara et al.
 2009/0220118 A1 9/2009 Meter et al.
 2010/0128884 A1 5/2010 Sapiejewski et al.
 2010/0284558 A1 11/2010 Kimura et al.
 2011/0206216 A1 8/2011 Brunner et al.
 2011/0249856 A1 10/2011 Takei
 2014/0211976 A1 7/2014 Brunner et al.
 2015/0086058 A1 3/2015 Harms et al.
 2016/0330542 A1 * 11/2016 Hsiao H04R 1/1091

FOREIGN PATENT DOCUMENTS

JP D1318386 12/2007
 JP D1406347 1/2011
 JP D1430542 12/2011
 KR 30-0476152 1/2008
 KR 300709905.0000 * 9/2013
 WO WO 2007/103561 A2 9/2007
 WO WO 2012/094176 A2 7/2012

OTHER PUBLICATIONS

Search Report dated Mar. 31, 2011 for Taiwan Patent Application No. 099303306.
 Search Report and Written Opinion for PCT Application No. PCT/US11/67045 dated Sep. 27, 2012.
 Taiwan Office Action for Taiwan Application No. 101303990 dated Aug. 26, 2013.
 Taiwan Office Action for Taiwan Application No. 101301117 dated Aug. 26, 2013.
 Taiwan Office Action for Taiwan Application No. 102302000 dated Aug. 26, 2013.

* cited by examiner

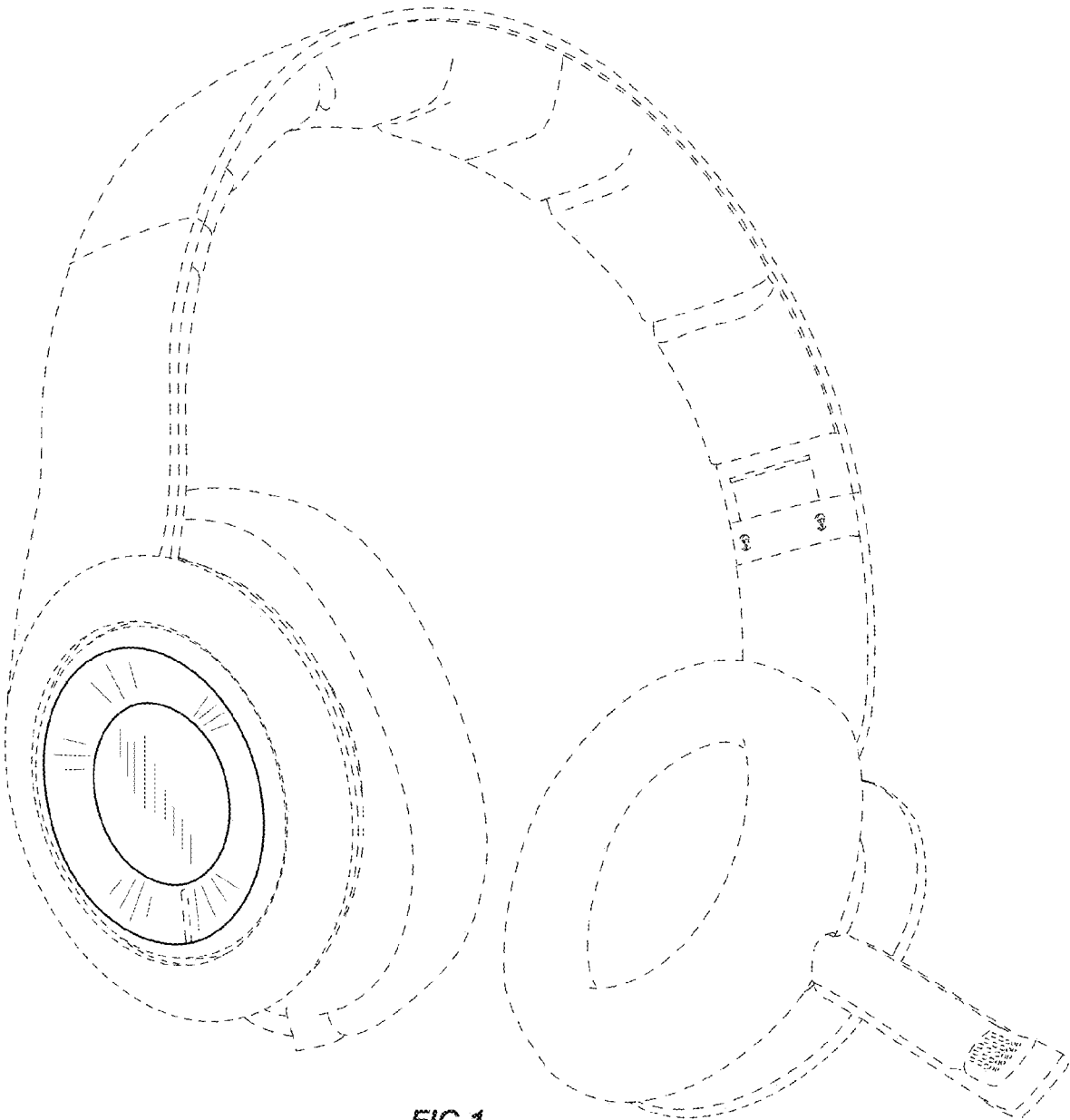


FIG. 1

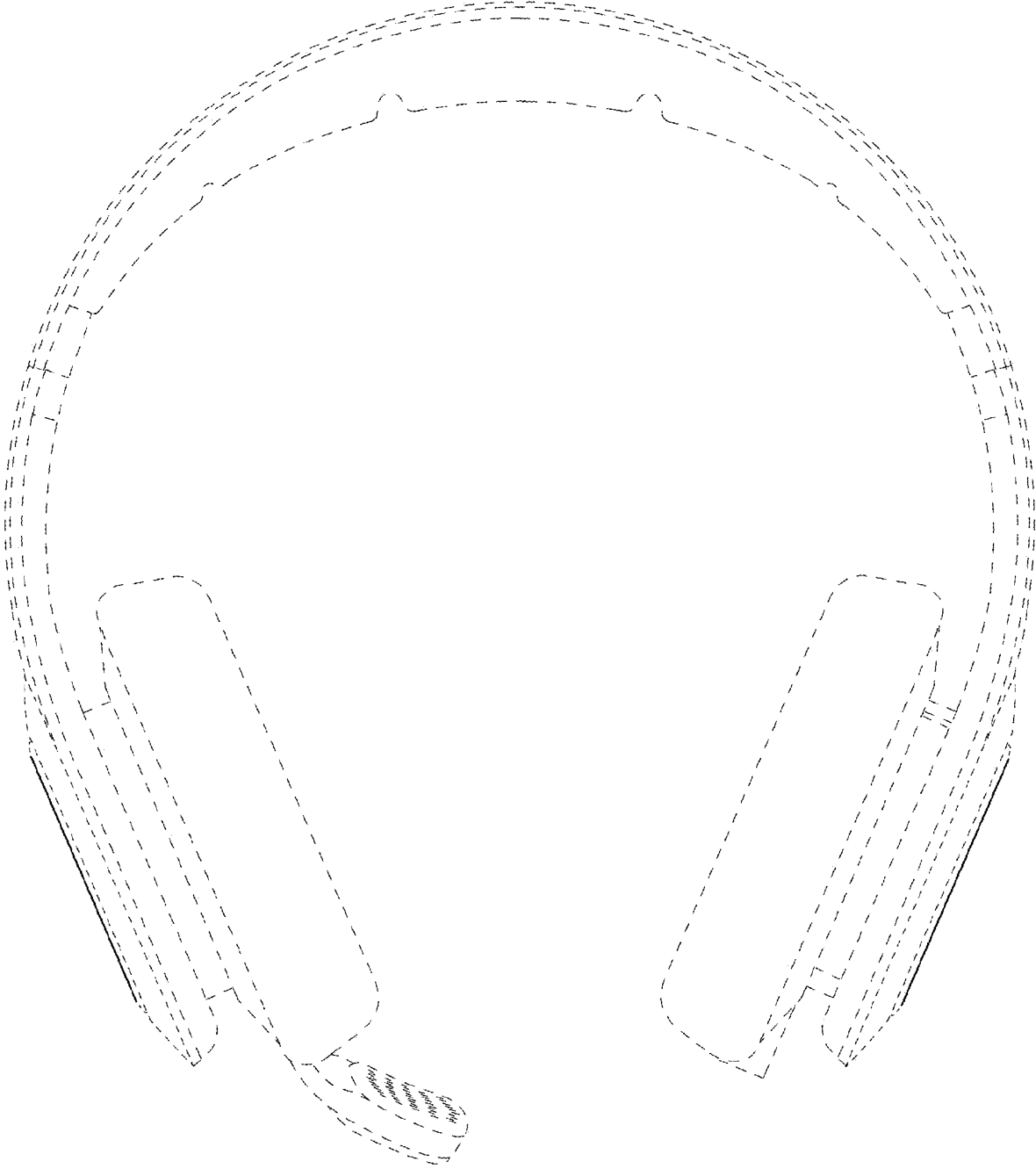


FIG. 2

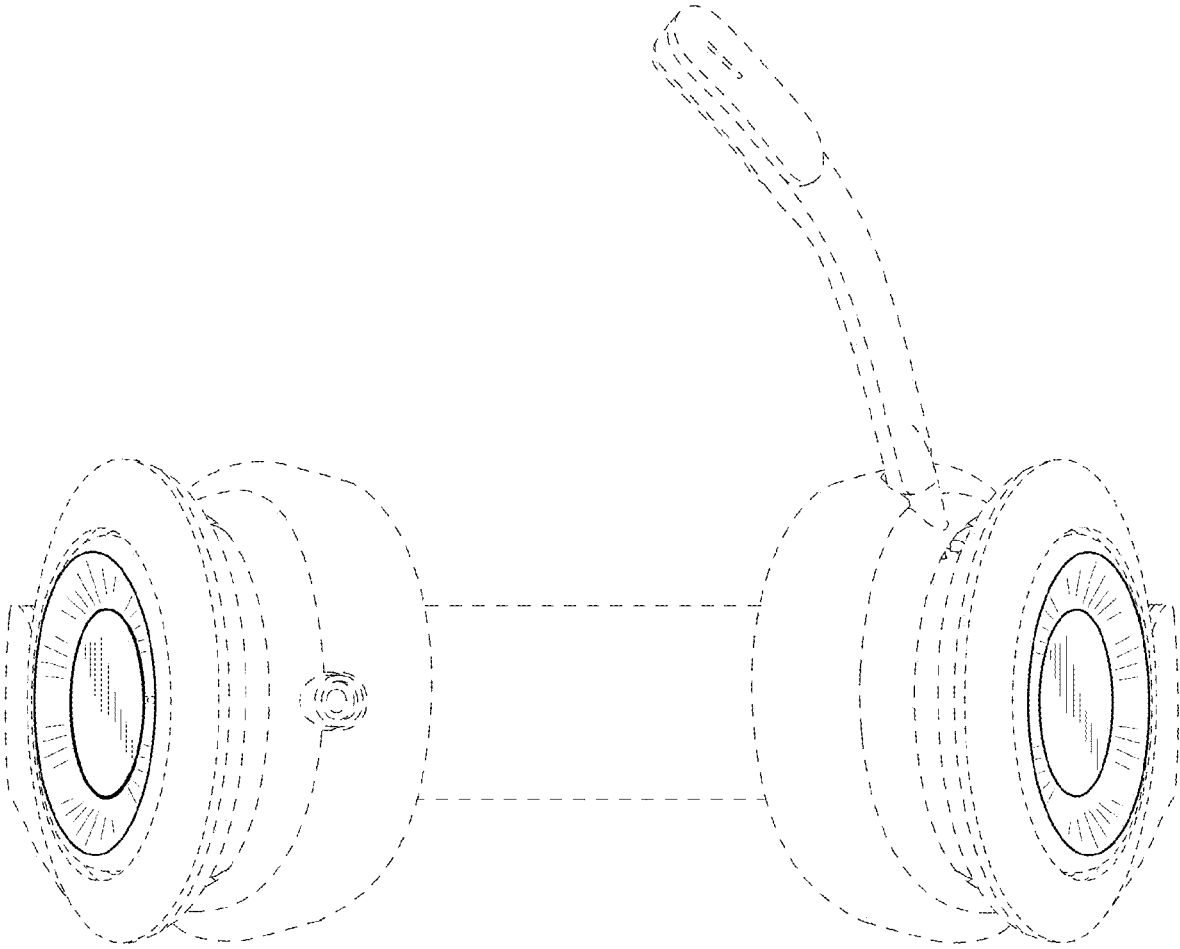


FIG.3

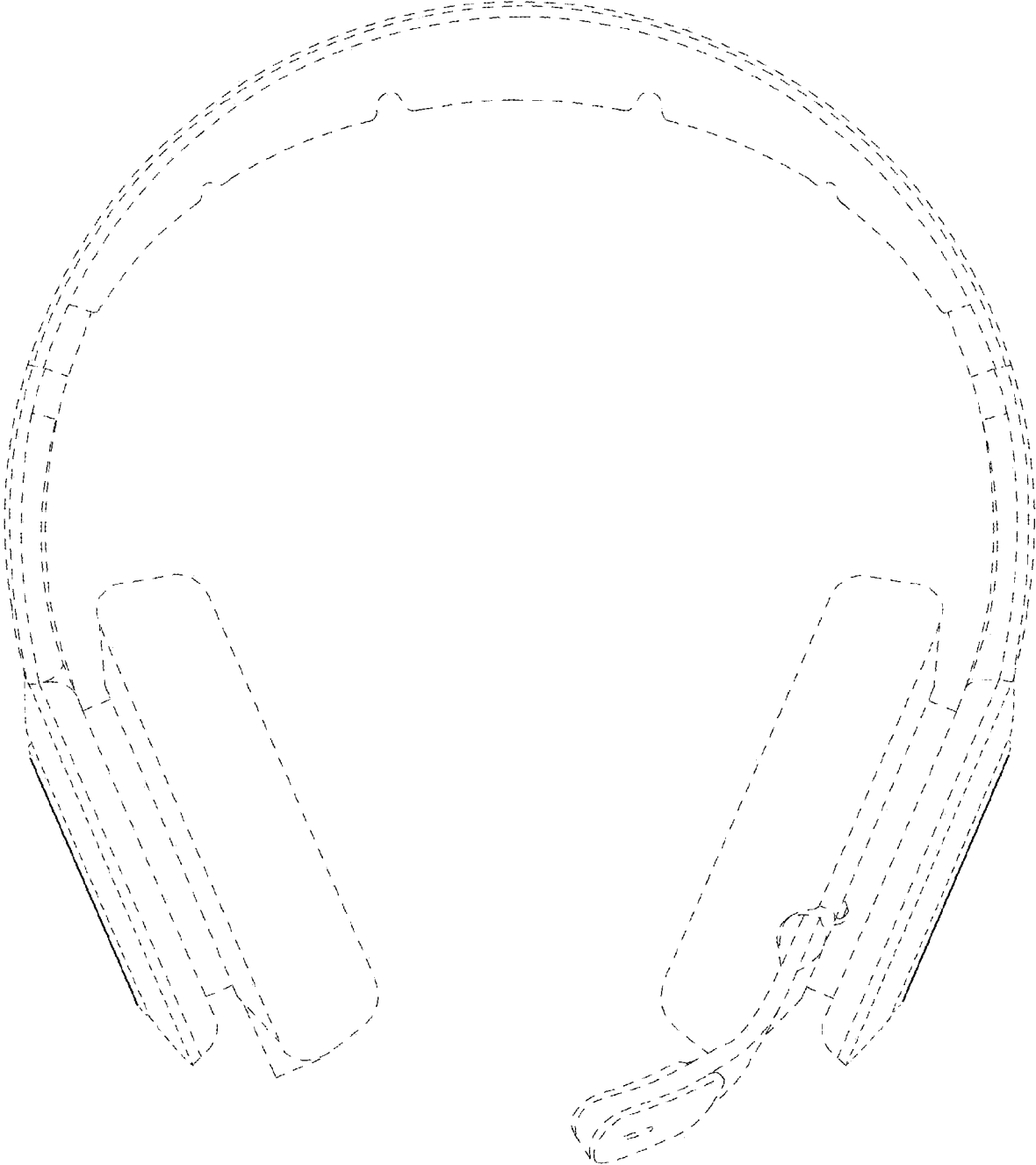


FIG.4

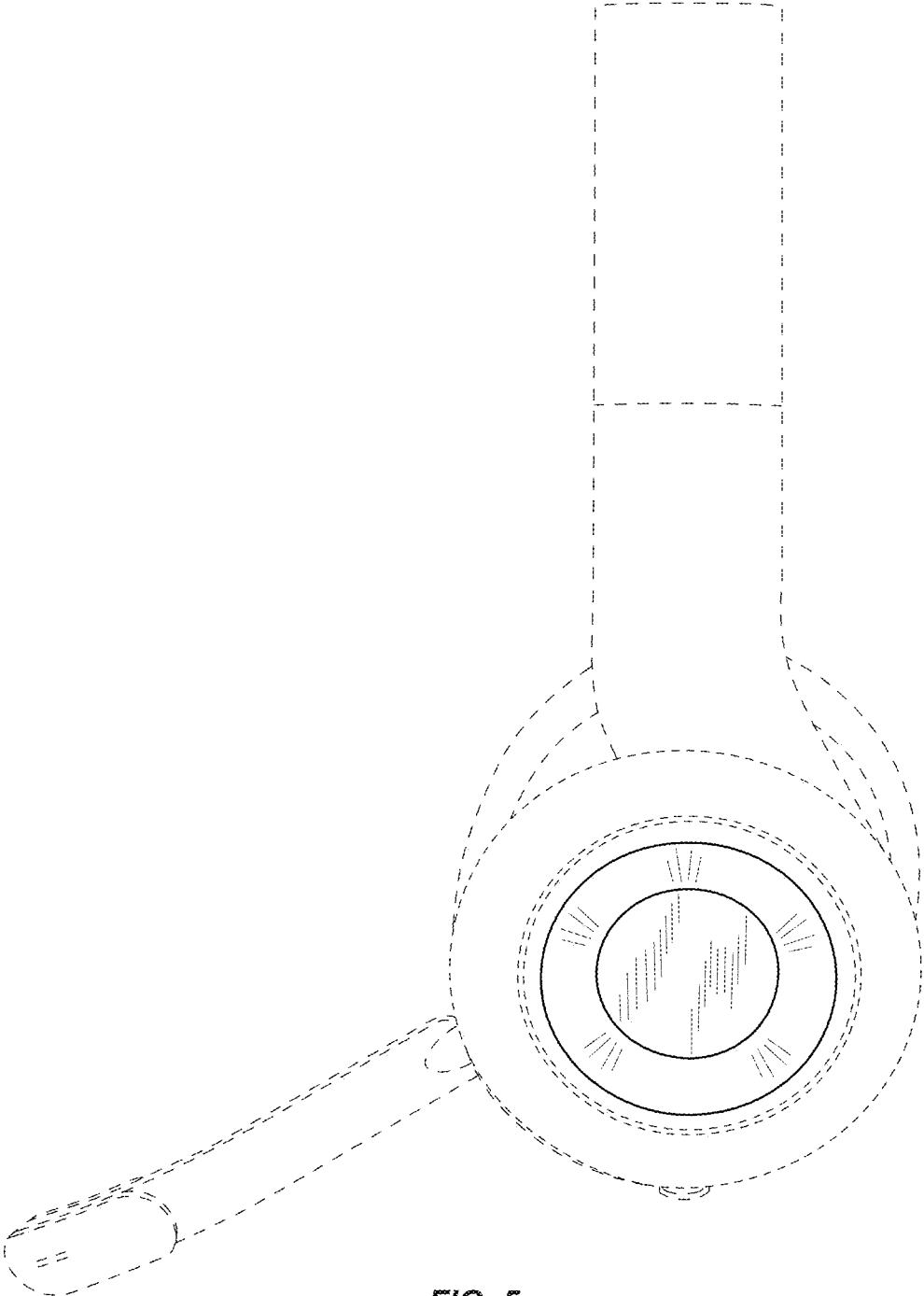


FIG. 5

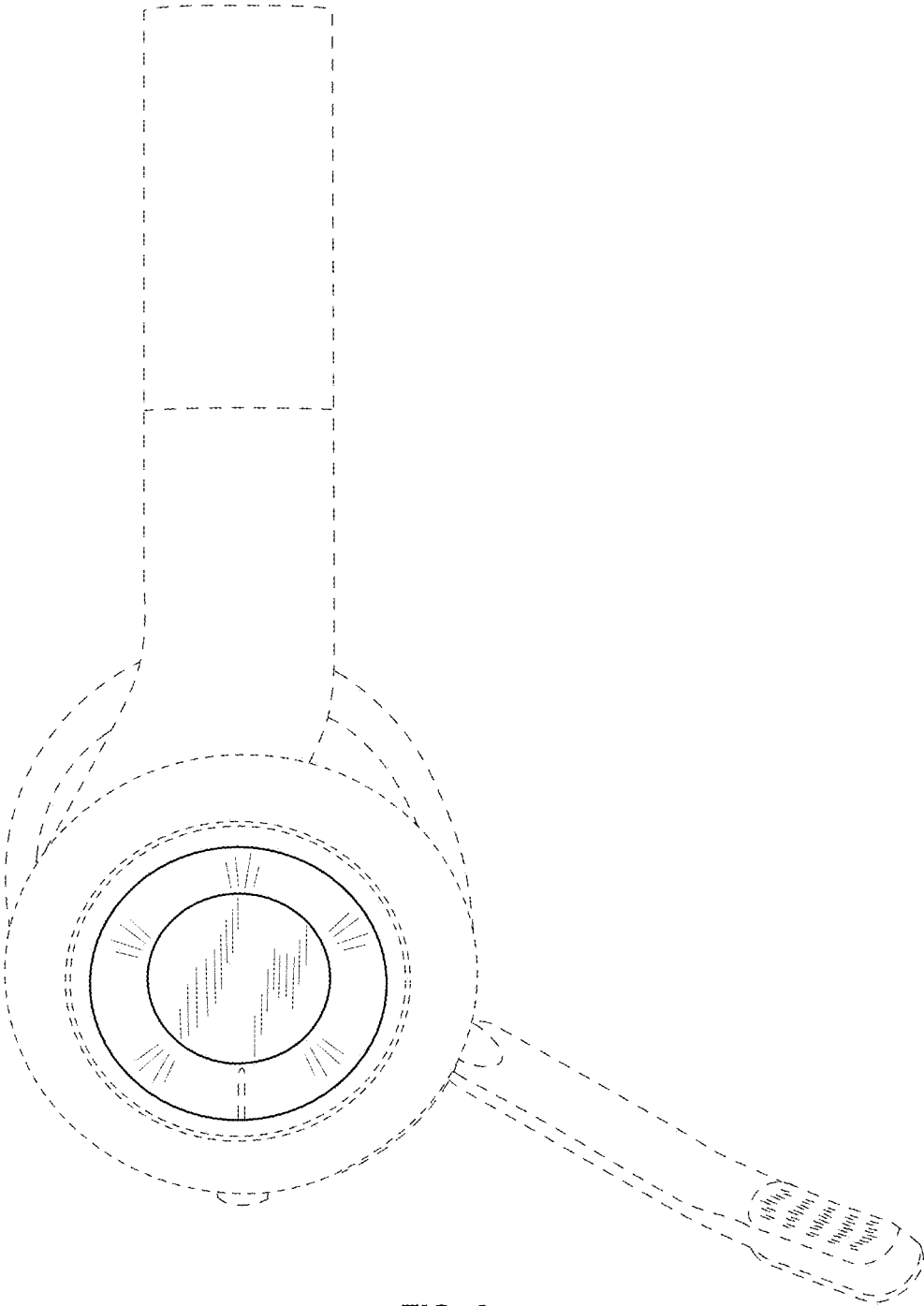


FIG. 6

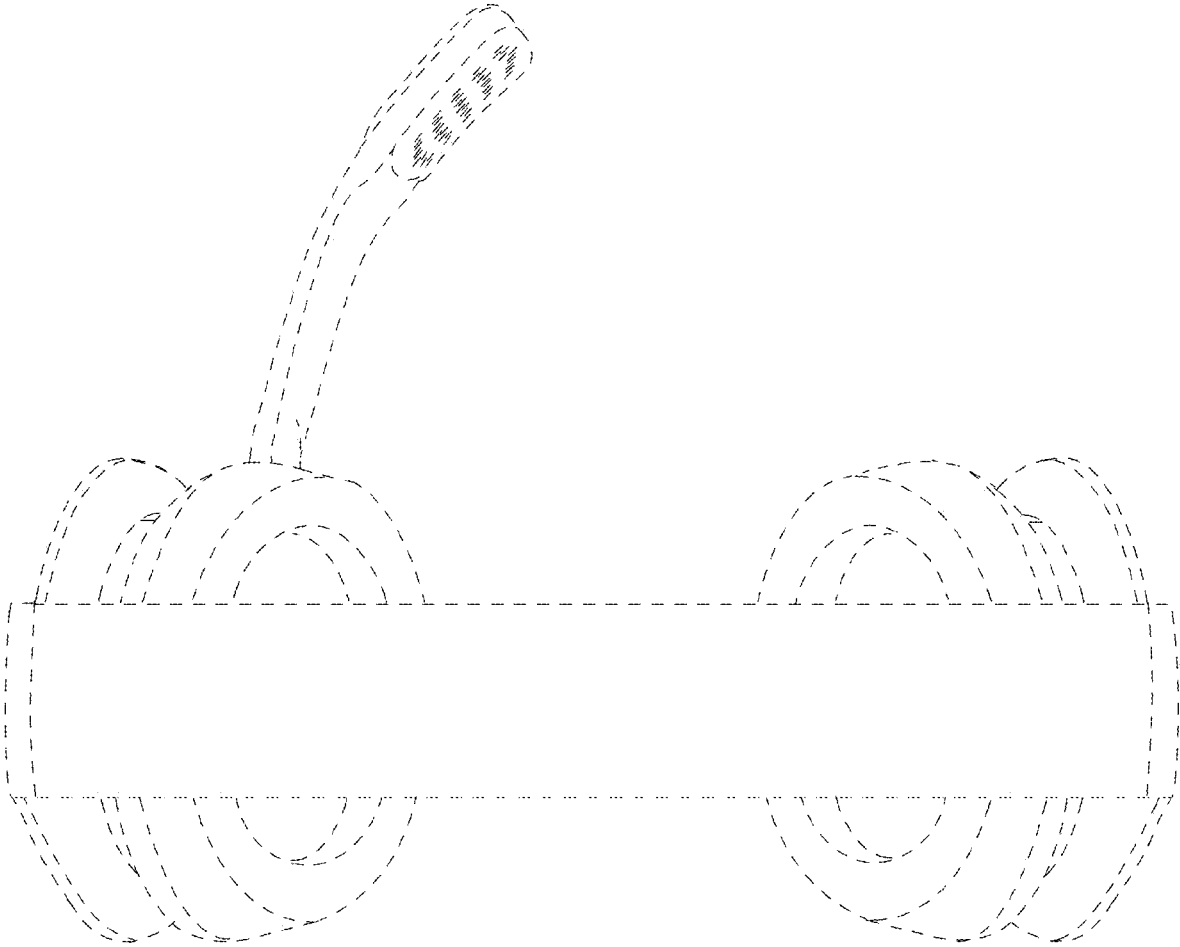


FIG.7