



US00D476609S

(12) **United States Design Patent**
Gibson

(10) **Patent No.:** **US D476,609 S**

(45) **Date of Patent:** **** Jul. 1, 2003**

(54) **SUN VISOR**

(75) **Inventor:** **Ricardo Perez Gibson**, 982 N. Los Robles, Pasadena, CA (US) 91104

(73) **Assignee:** **Ricardo Perez Gibson**, Pasadena, CA (US)

(**) **Term:** **14 Years**

(21) **Appl. No.:** **29/172,151**

(22) **Filed:** **Dec. 9, 2002**

(51) **LOC (7) Cl.** **12-16**

(52) **U.S. Cl.** **D12/191**

(58) **Field of Search** D12/191, 417, D12/190; 224/669, 670, 277, 312; 296/97.1-97.7, 97.9, 97.11-97.13; 248/481, 484; 160/370.21, DIG. 3; D5/15

(56) **References Cited**

U.S. PATENT DOCUMENTS

2,239,240	A	*	4/1941	Magness	D12/191	X
2,422,863	A	*	6/1947	Stroth	D12/191	X
2,733,763	A	*	2/1956	Nygaard	D12/191	X
2,842,395	A	*	7/1958	Davis	D12/191	X
D201,242	S	*	6/1965	Deaver	D12/191	
D298,427	S	*	11/1988	Jonsas	D12/191	
D325,719	S	*	4/1992	Langlais	D12/191	
D334,911	S	*	4/1993	Kucharski	D12/191	
D338,183	S	*	8/1993	Spiwak	D12/191	
D344,530	S	*	2/1994	Johnson	D12/191	
D361,970	S	*	9/1995	Zetterlund	D12/191	
D381,006	S	*	7/1997	Tuday	D12/417	
D397,660	S	*	9/1998	Rosen	D12/191	
D398,893	S	*	9/1998	Lyons	D12/191	
D405,746	S	*	2/1999	Larson	D12/191	

D431,805 S * 10/2000 Baltazar D12/191
D443,573 S * 6/2001 Finlayson et al. D12/191

* cited by examiner

Primary Examiner—Stacia Cadmus

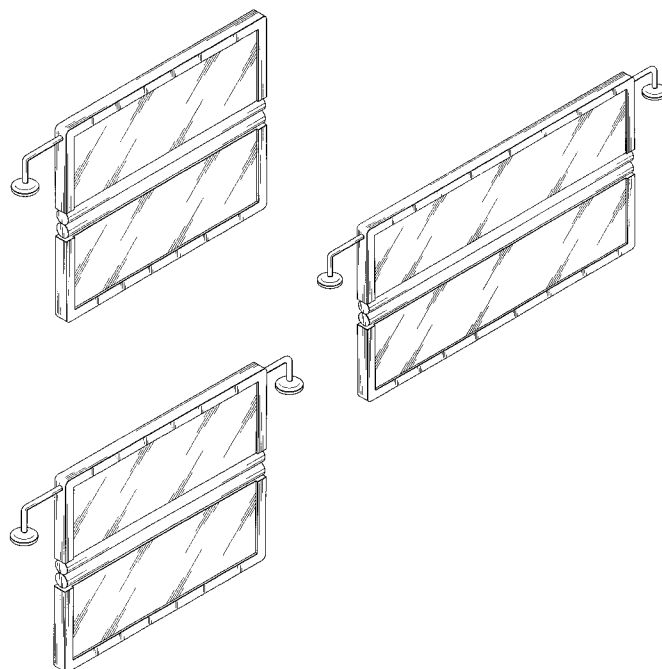
(57) **CLAIM**

The ornamental design for a sun visor, as shown and described.

DESCRIPTION

FIG. 1 is an isometric elevation view of a sun visor showing my new design for the front and side windshield;
 FIG. 2 is a front elevation view thereof;
 FIG. 3 is a top elevation view thereof;
 FIG. 4 is a bottom elevation view thereof;
 FIG. 5 is a side elevation view thereof;
 FIG. 6 is a right elevation view thereof;
 FIG. 7 is an isometric elevation view of a second embodiment of a sun visor showing my new design for the left and right backside windows;
 FIG. 8 is a front elevation view thereof;
 FIG. 9 is a top elevation view thereof;
 FIG. 10 is a bottom elevation view thereof;
 FIG. 11 is a side elevation view thereof;
 FIG. 12 is a right elevation view thereof;
 FIG. 13 is an isometric elevation view of a third embodiment of a sun visor showing my new design for the protective sun visor for the rear windshield.
 FIG. 14 is a front elevation view thereof;
 FIG. 15 is a top elevation view thereof;
 FIG. 16 is a bottom elevation view thereof;
 FIG. 17 is a side elevation view thereof; and,
 FIG. 18 is a right elevation view thereof.

1 Claim, 9 Drawing Sheets



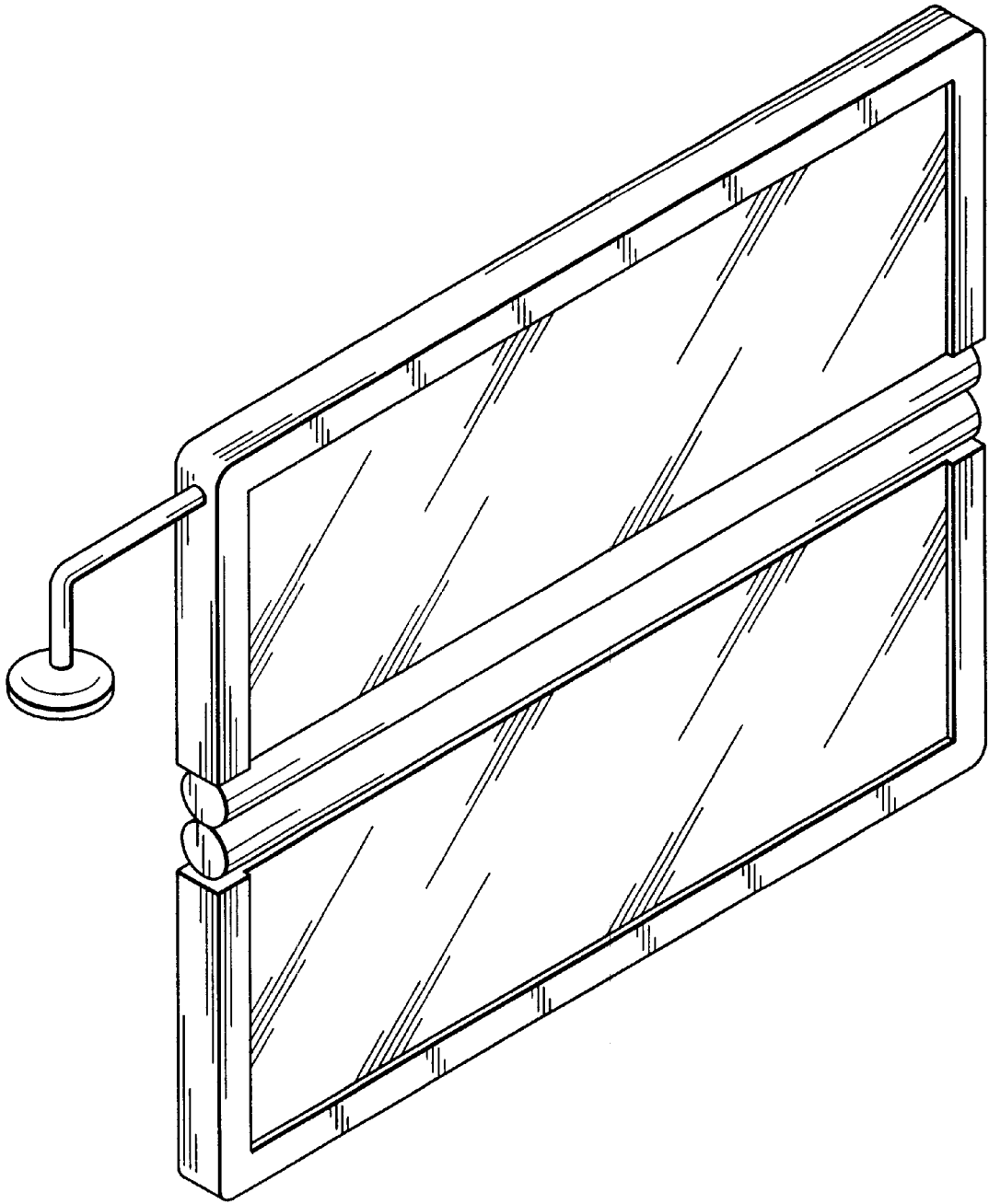


FIG. 1

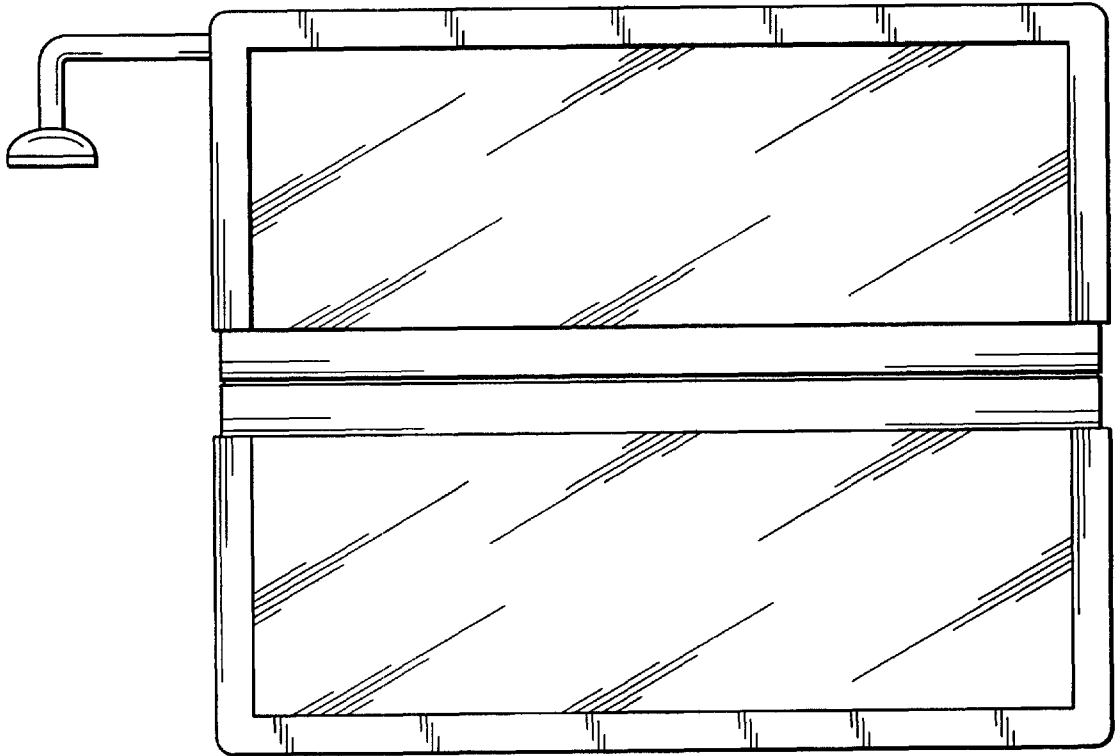


FIG. 2

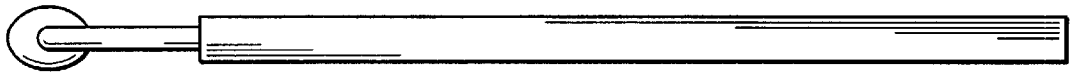


FIG. 3



FIG. 4

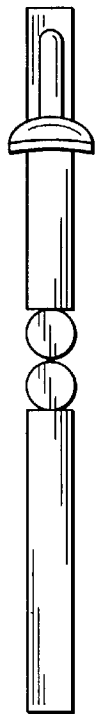


FIG. 5

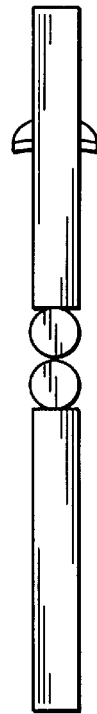


FIG. 6

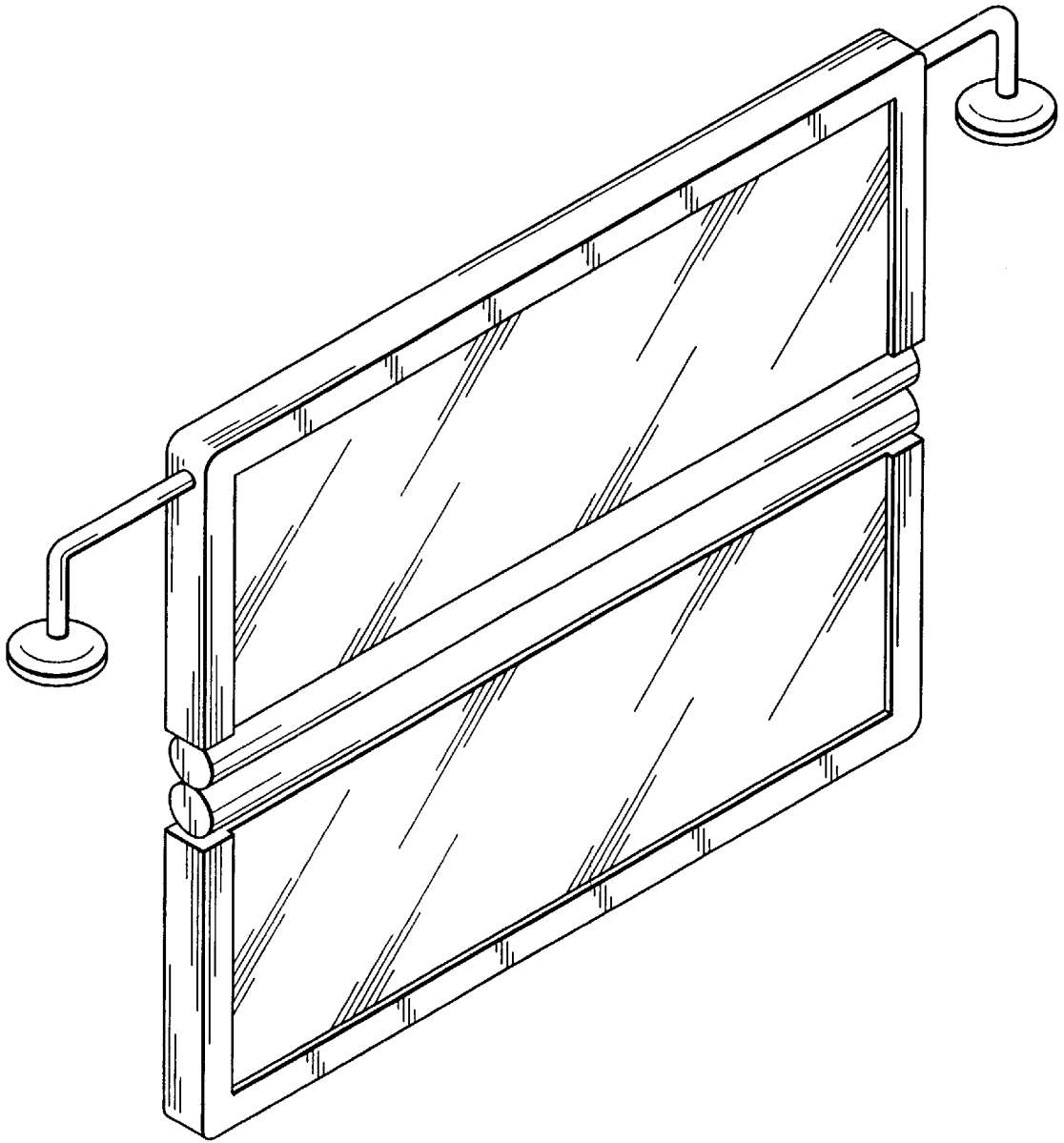


FIG. 7

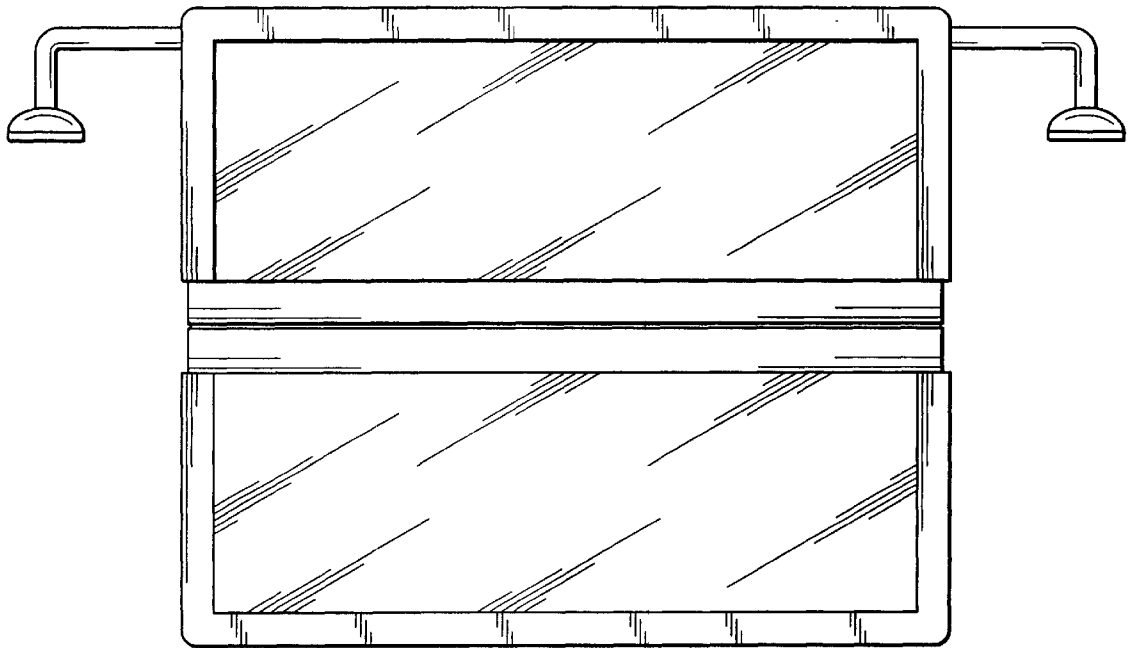


FIG. 8

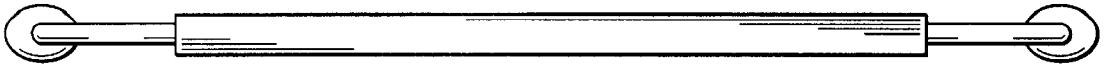


FIG. 9

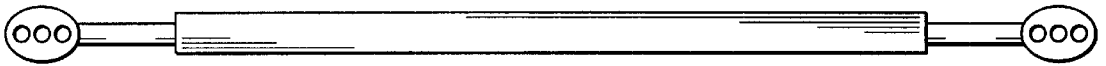


FIG. 10

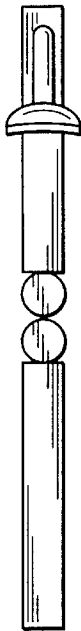


FIG. 11

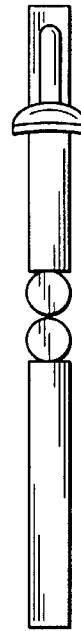


FIG. 12

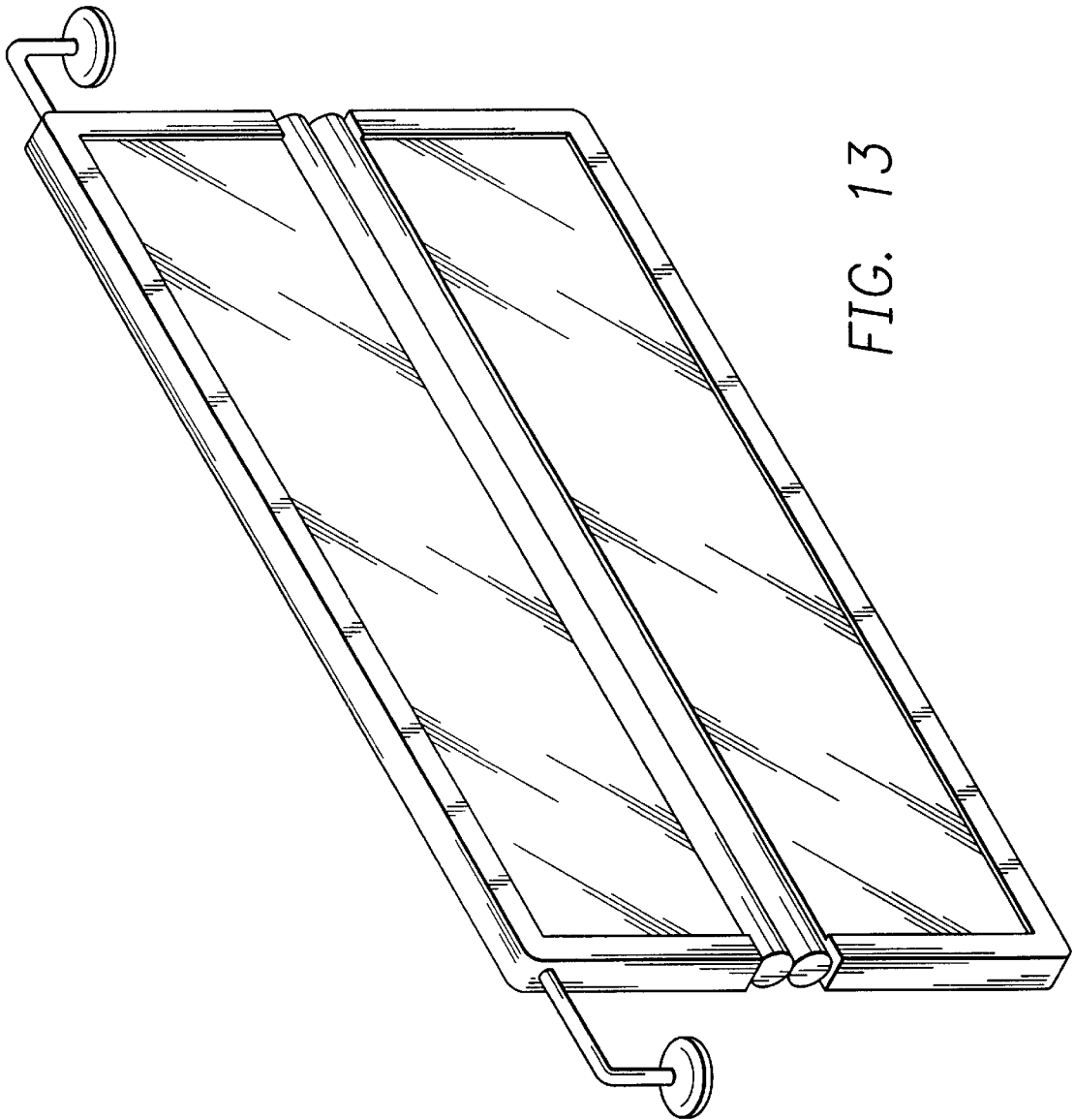


FIG. 13

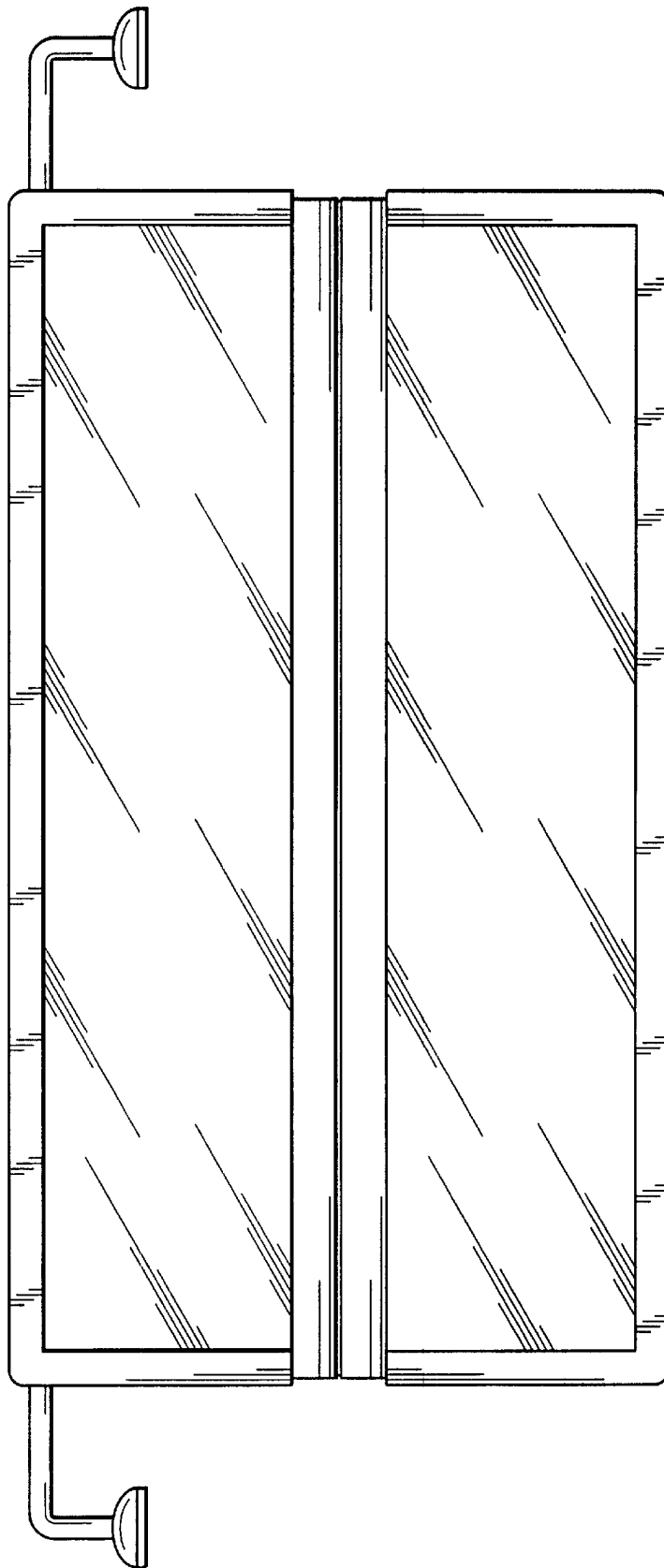


FIG. 14

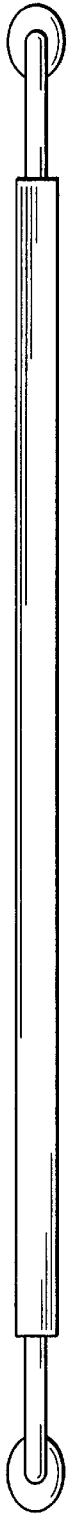


FIG. 15



FIG. 16

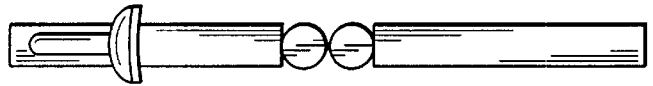


FIG. 17

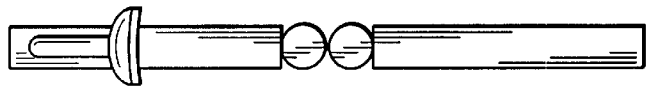


FIG. 18