



US00D721620S

(12) **United States Design Patent**
Huang

(10) **Patent No.:** **US D721,620 S**

(45) **Date of Patent:** **** Jan. 27, 2015**

(54) **WHEELED WALKER**

(76) Inventor: **Wendy Huang**, New Taipei (TW)

(**) Term: **14 Years**

(21) Appl. No.: **29/430,485**

(22) Filed: **Aug. 27, 2012**

(51) **LOC (10) Cl.** **12-12**

(52) **U.S. Cl.**
USPC **D12/130**

(58) **Field of Classification Search**
USPC D12/128-133; 280/62, 647-650, 29,
280/200, 47.38, 250.1, 259, 642, 658,
280/304.1; 128/99.1, 100.1
See application file for complete search history.

(56) **References Cited**

U.S. PATENT DOCUMENTS

4,211,309	A	*	7/1980	Ruggiero	188/83
4,341,381	A	*	7/1982	Norberg	482/67
D281,771	S	*	12/1985	Webb	D12/130
D289,507	S	*	4/1987	Danielsson	D12/130
D360,174	S	*	7/1995	Kjell et al.	D12/130
D367,833	S	*	3/1996	Ahlbertz	D12/130
D372,890	S	*	8/1996	Ferm et al.	D12/130
D396,437	S	*	7/1998	Liljedahl	D12/130
D503,909	S	*	4/2005	Tolfsen et al.	D12/130
D519,423	S	*	4/2006	Tolfsen	D12/130

D560,563	S	*	1/2008	Fransson et al.	D12/130
7,484,740	B2	*	2/2009	Miller	280/87.021
2007/0034243	A1	*	2/2007	Miller	135/67

* cited by examiner

Primary Examiner — Ian Simmons

Assistant Examiner — Charles Hanson

(74) *Attorney, Agent, or Firm* — Fitzpatrick, Cella, Harper & Scinto

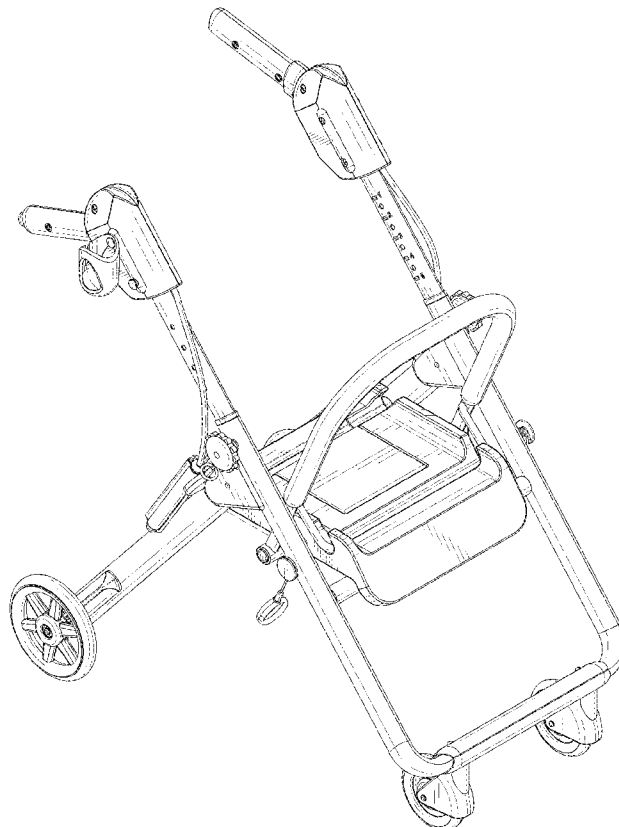
(57) **CLAIM**

The ornamental design for wheeled walker, as shown and described.

DESCRIPTION

FIG. 1 is a perspective view of wheeled walker showing my new design;
 FIG. 2 is a front elevational view thereof;
 FIG. 3 is a rear elevational view thereof;
 FIG. 4 is a left side elevational view thereof;
 FIG. 5 is a right side elevational view thereof;
 FIG. 6 is a top plan view thereof;
 FIG. 7 is a bottom plan view thereof; and,
 FIG. 8 is a left side view illustrating the folded state of wheeled walker.
 The broken lines shown in the drawings are for the purpose of illustrating portions of the wheeled walker and form no part of the claimed design.

1 Claim, 8 Drawing Sheets



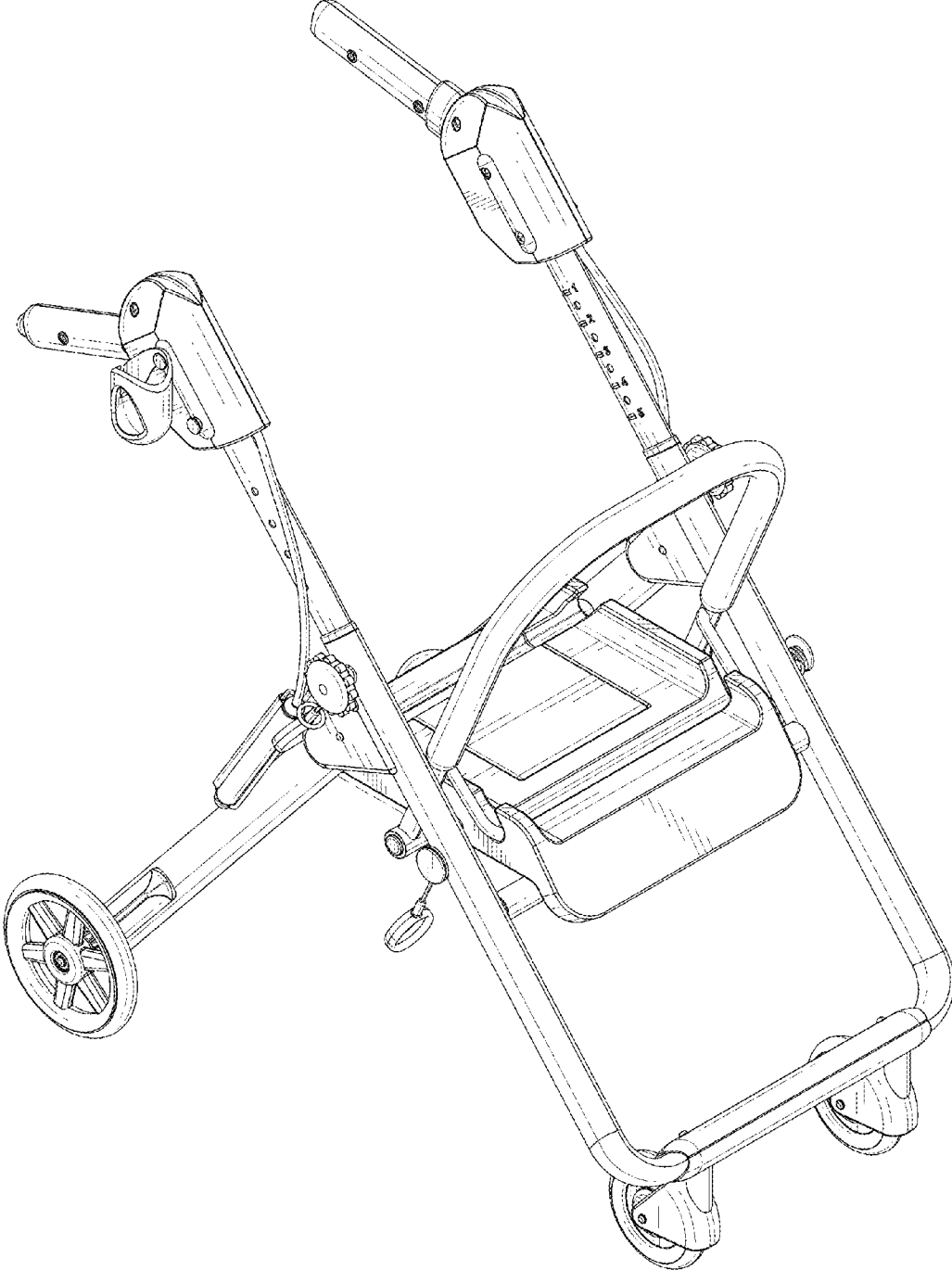


FIG. 1

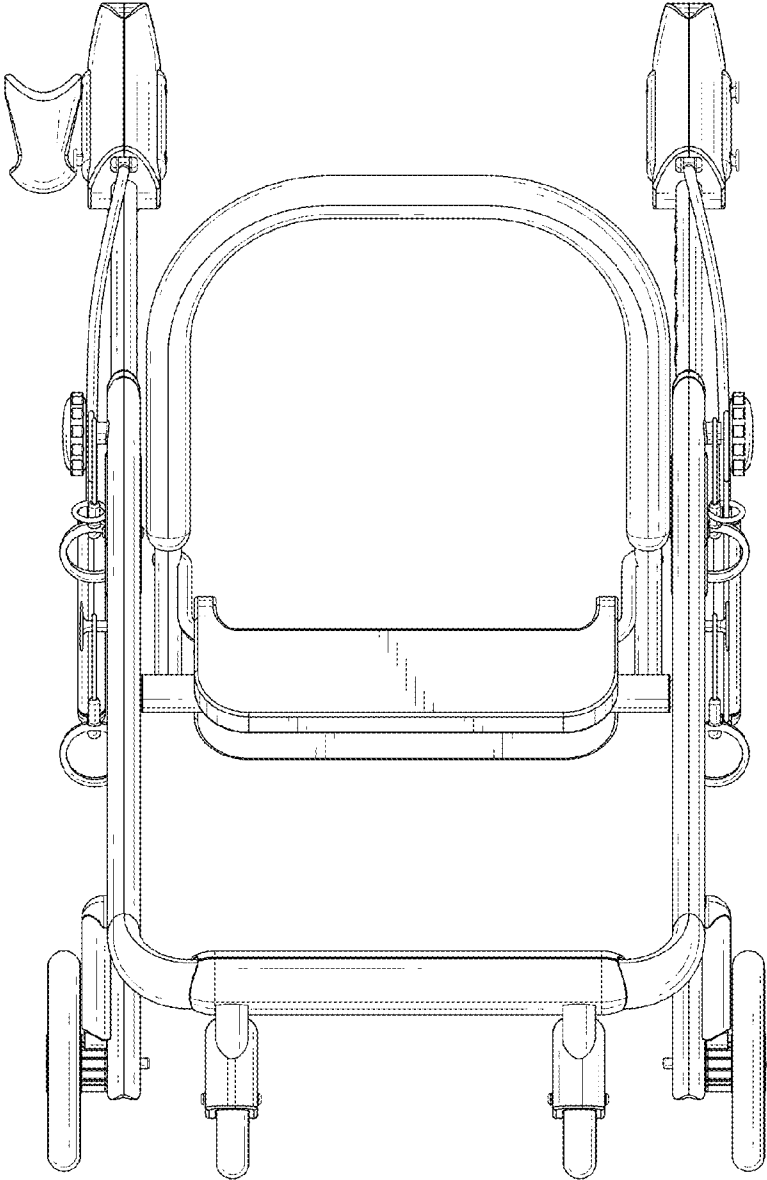


FIG. 2

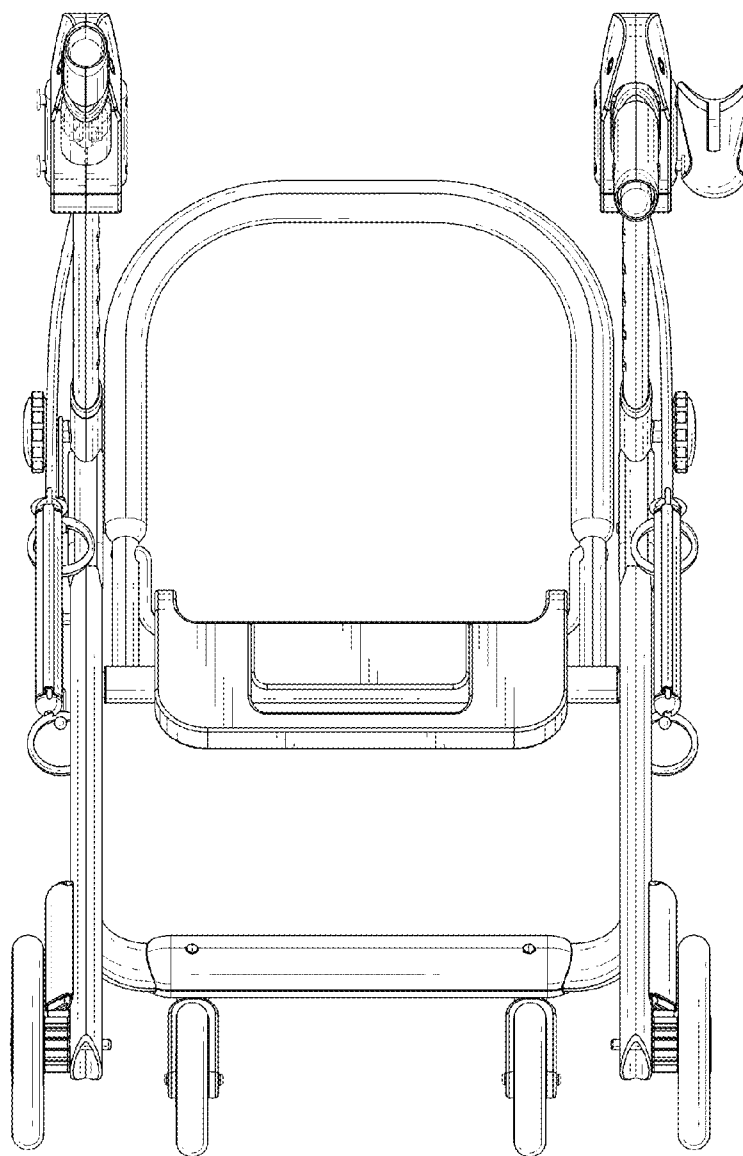


FIG. 3

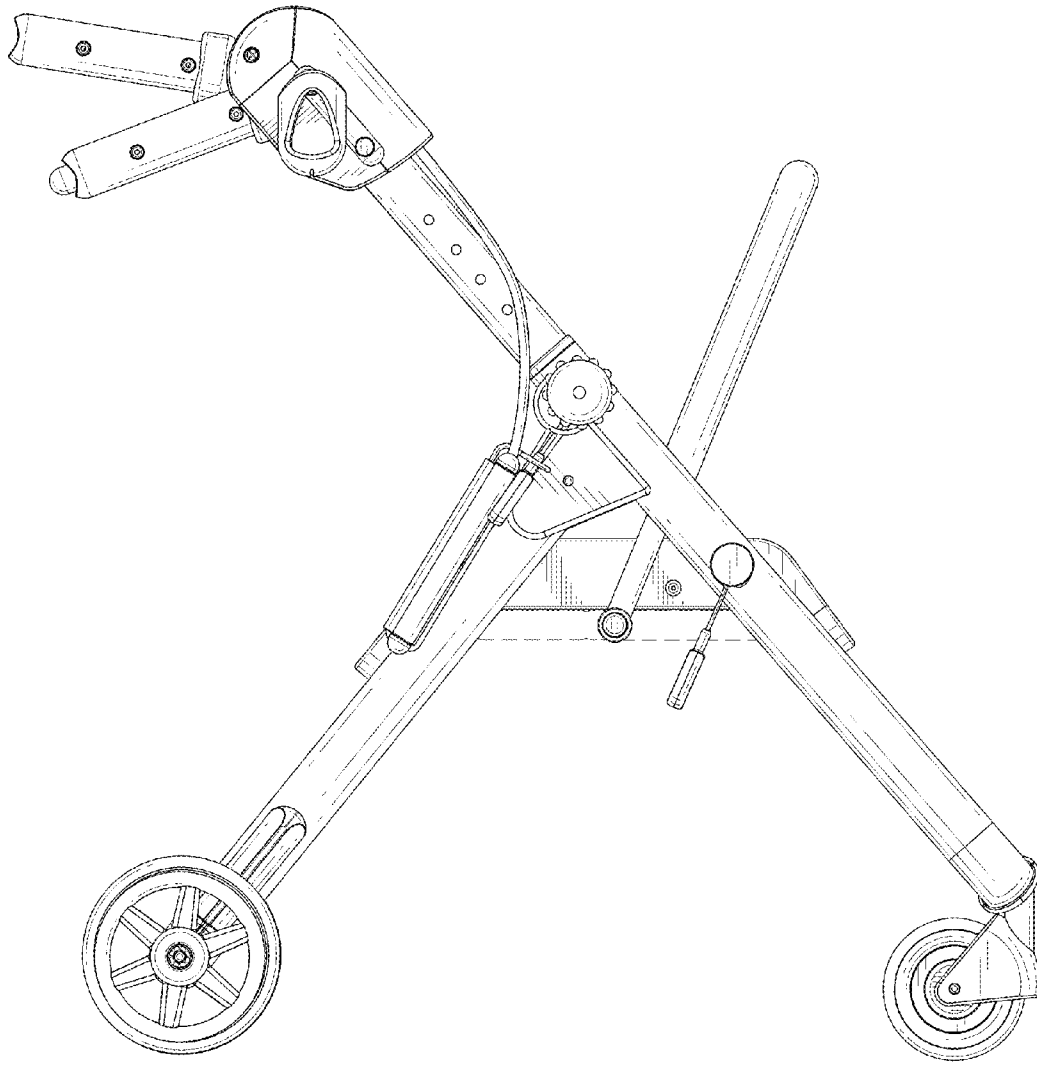


FIG. 4

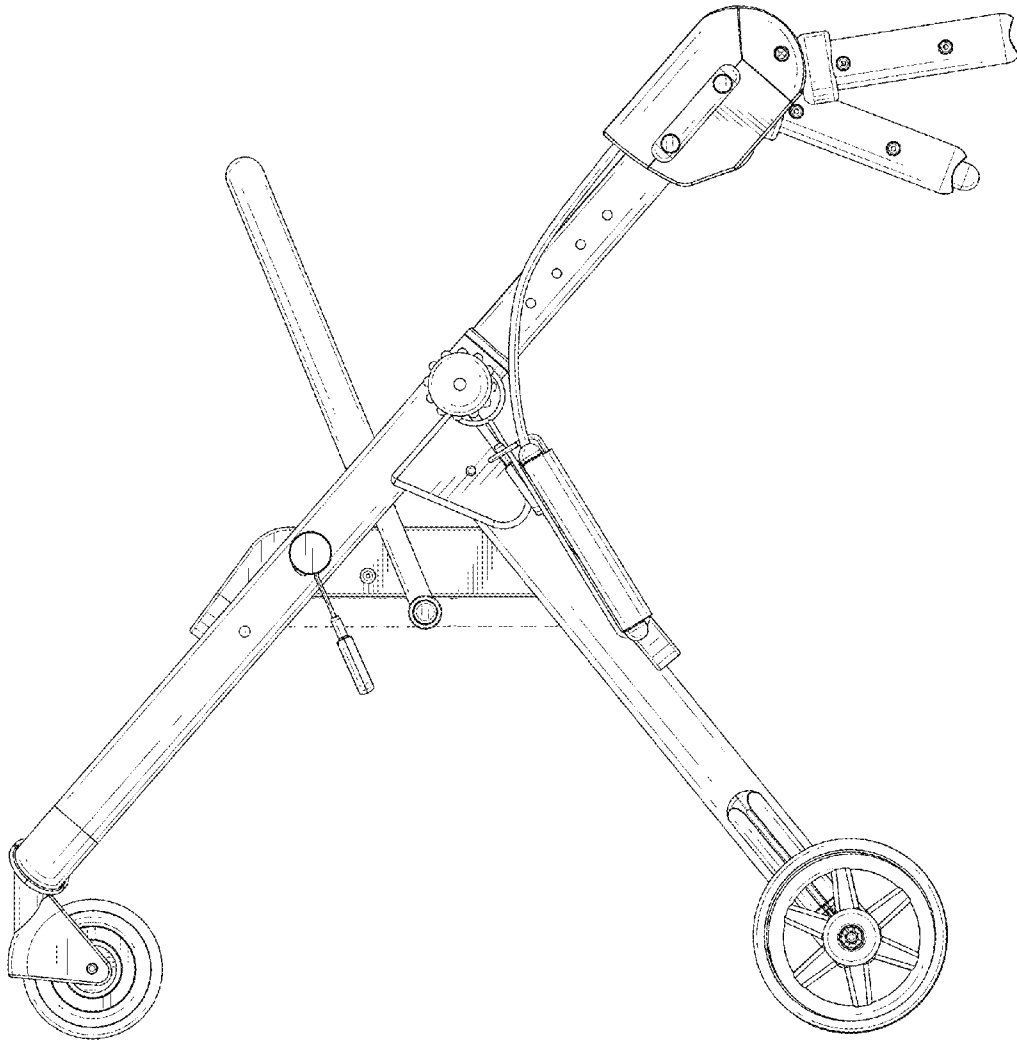


FIG. 5

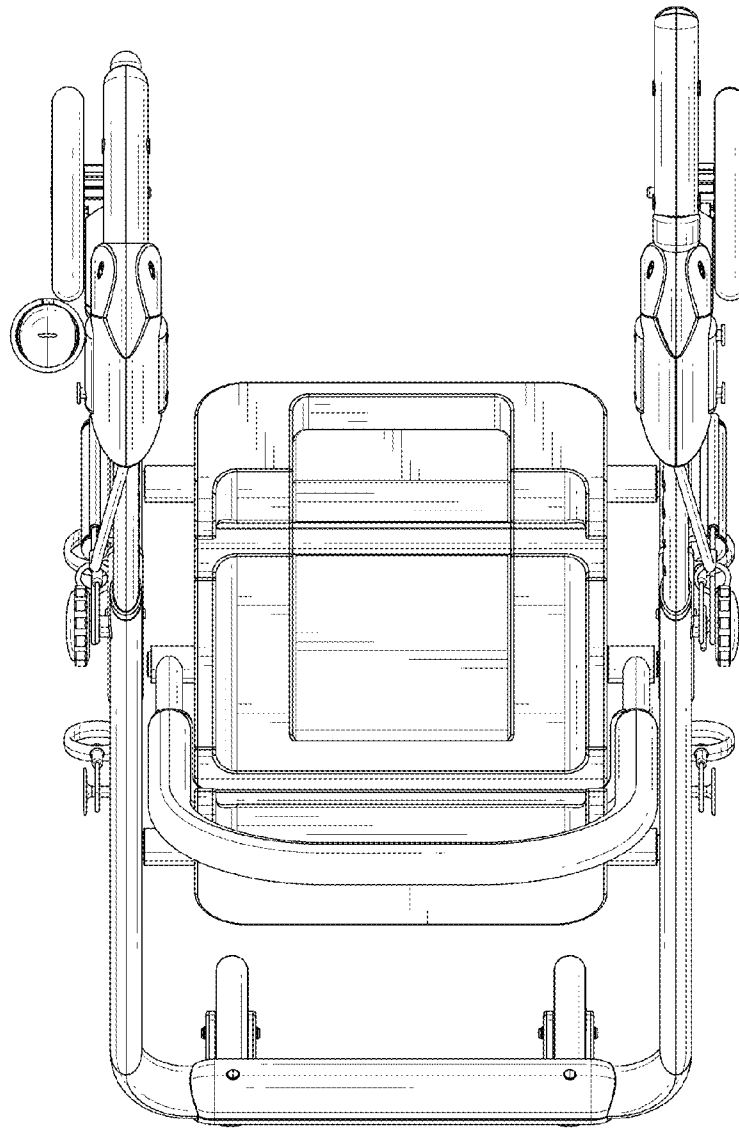


FIG. 6

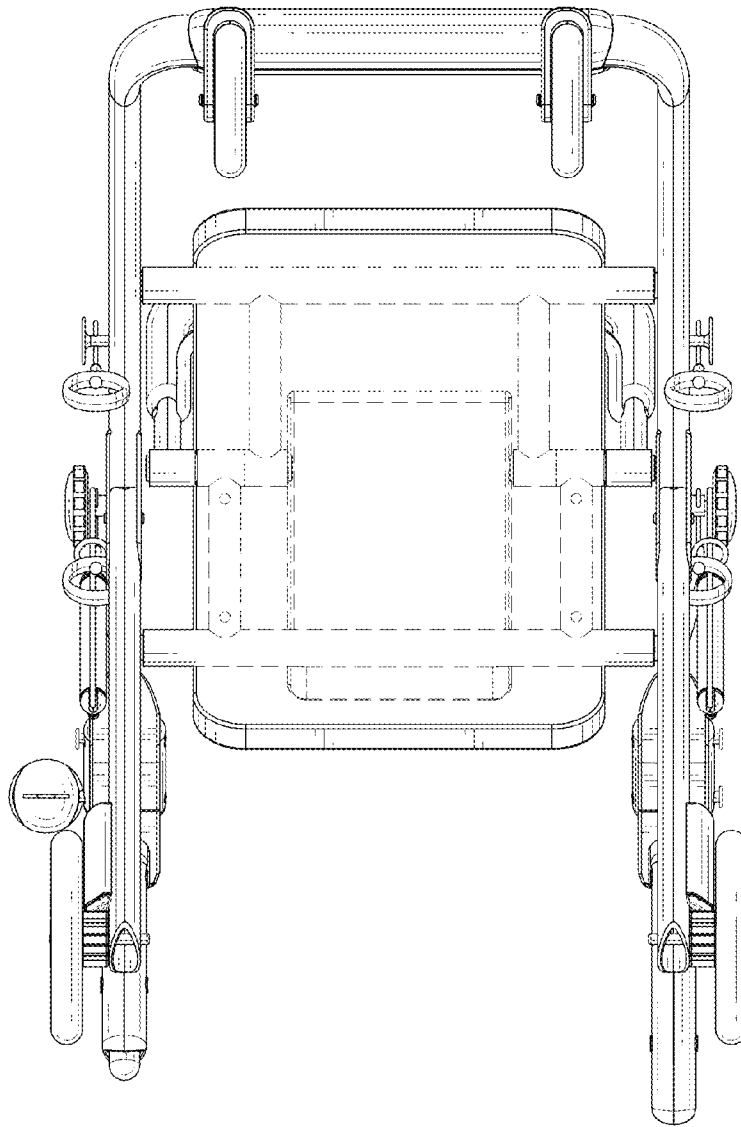


FIG. 7

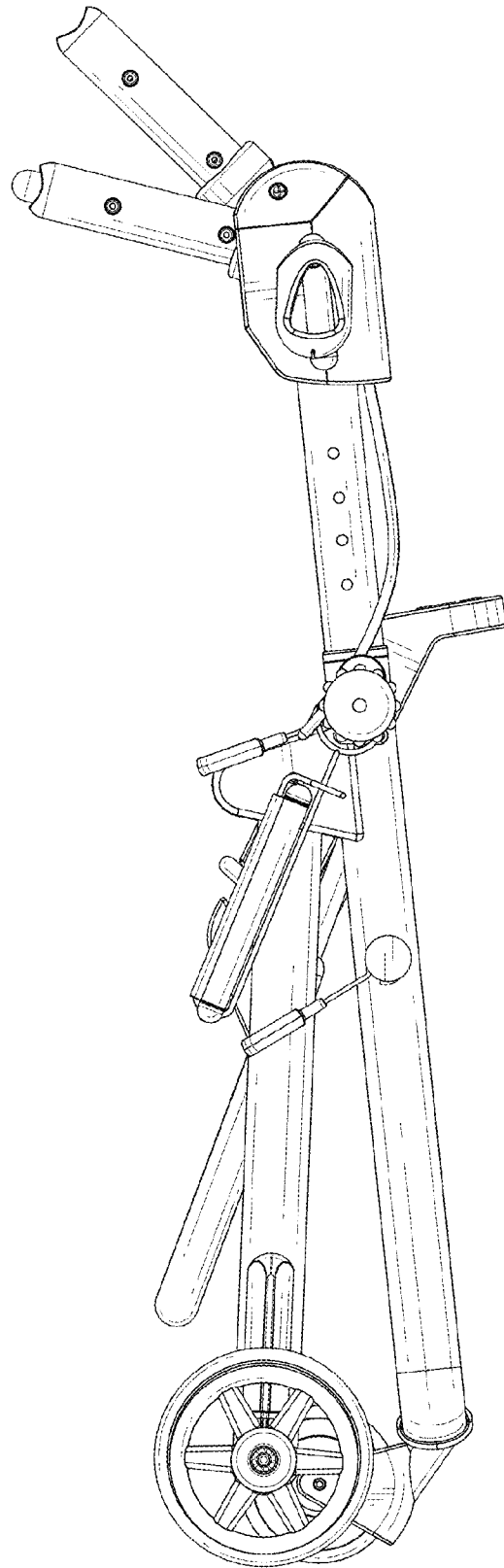


FIG. 8