



US00D559286S

(12) **United States Design Patent**  
**Waggle et al.**

(10) **Patent No.:** **US D559,286 S**

(45) **Date of Patent:** **\*\* Jan. 8, 2008**

(54) **CUTTING INSERT**

(75) Inventors: **James M. Waggle**, Derry, PA (US);  
**Ronald L. Dudzinsky**, Derry, PA (US);  
**Shawn E. Frye**, Latrobe, PA (US);  
**Dennis W. McNamara**, Greensburg, PA (US)

(73) Assignee: **Kennametal Inc.**, Latrobe, PA (US)

(\*\*) Term: **14 Years**

(21) Appl. No.: **29/285,052**

(22) Filed: **Mar. 20, 2007**

(51) **LOC (8) Cl.** ..... **15-09**

(52) **U.S. Cl.** ..... **D15/139**

(58) **Field of Classification Search** ..... D15/138,  
D15/139; 407/35, 42, 112-119  
See application file for complete search history.

(56) **References Cited**

**U.S. PATENT DOCUMENTS**

4,247,232	A *	1/1981	McCreery et al. ....	407/114
4,507,024	A *	3/1985	Stashko .....	407/114
5,441,370	A *	8/1995	Pantzar et al. ....	407/113
D363,076	S *	10/1995	Hansson et al. ....	D15/139

D364,178	S *	11/1995	Hansson et al. ....	D15/139
D369,362	S *	4/1996	Pantzar et al. ....	D15/139
5,544,984	A *	8/1996	Pantzar .....	407/113
D422,608	S *	4/2000	Malaker et al. ....	D15/139
D487,281	S *	3/2004	Roman et al. ....	D15/139
D496,950	S *	10/2004	Waggle et al. ....	D15/139
D497,923	S *	11/2004	Waggle et al. ....	D15/139
D523,039	S *	6/2006	Niebauer et al. ....	D15/139

\* cited by examiner

*Primary Examiner*—Antoine D. Davis

*Assistant Examiner*—Patricia Palasik

(74) *Attorney, Agent, or Firm*—Larry R. Meenan

(57) **CLAIM**

The ornamental design for a cutting insert, as shown.

**DESCRIPTION**

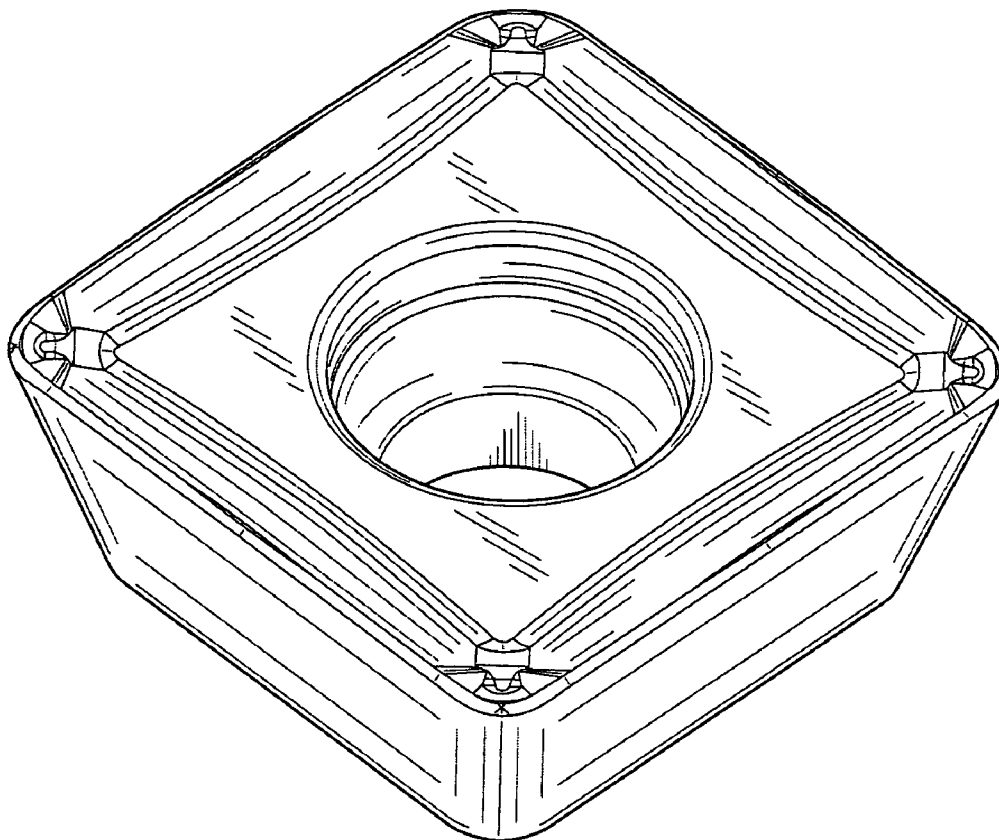
FIG. 1 is a perspective view of a cutting insert showing our new design.

FIG. 2 is a top plan view of the cutting insert shown in FIG. 1;

FIG. 3 is a bottom plan view of the cutting insert shown in FIG. 1; and,

FIG. 4 is a side view of the cutting insert shown in FIG. 1.

**1 Claim, 3 Drawing Sheets**



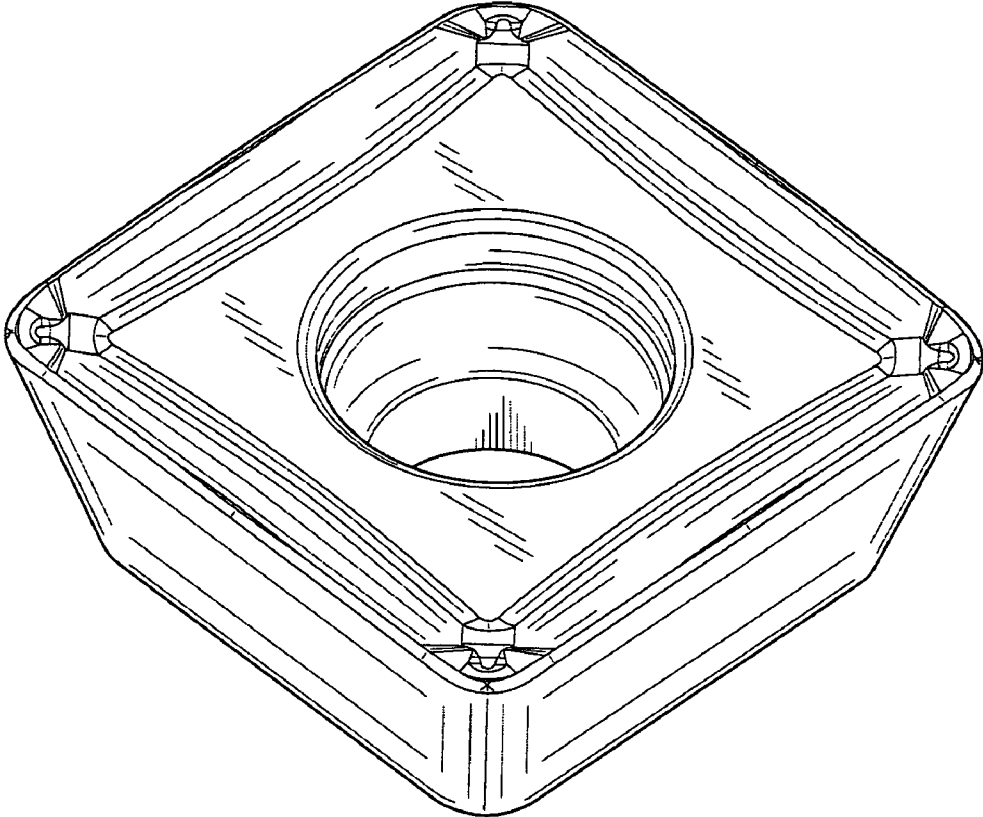


FIG. 1

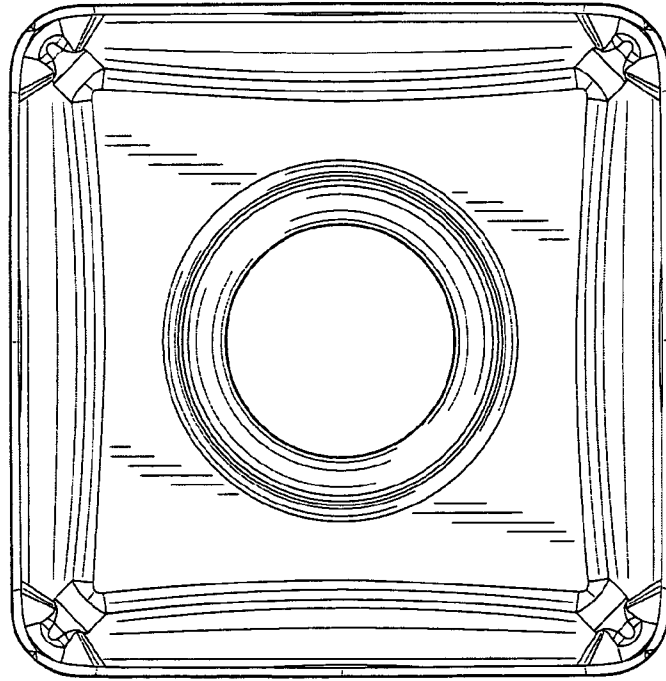


FIG. 2

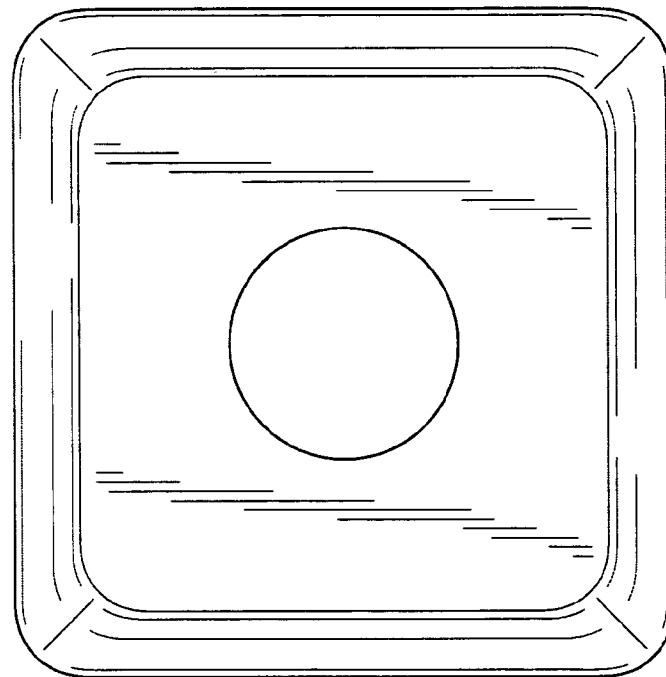
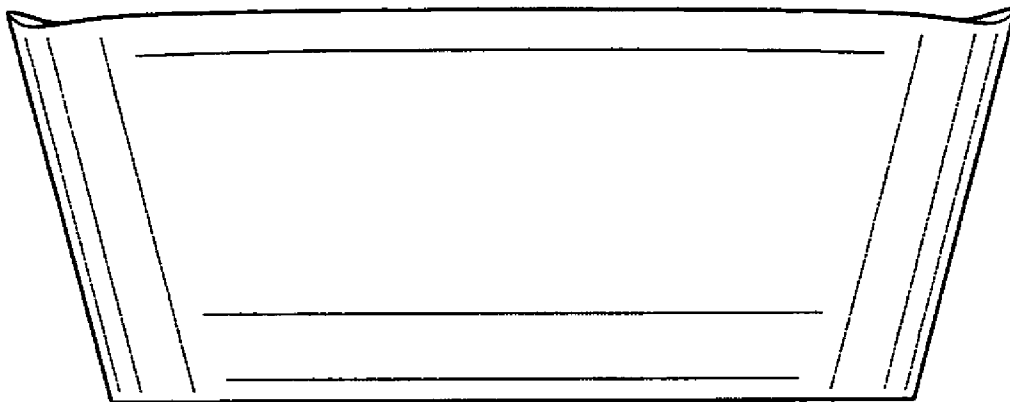


FIG. 3



*FIG. 4*