



US00D719851S

(12) **United States Design Patent**
Goodman et al.

(10) **Patent No.:** **US D719,851 S**

(45) **Date of Patent:** **** Dec. 23, 2014**

(54) **WATCH**

(75) Inventors: **Chris Goodman**, Ladera Ranch, CA (US); **Hans Moritz**, Foothill Ranch, CA (US)

(73) Assignee: **Oakley, Inc.**, Foothill Ranch, CA (US)

(**) Term: **14 Years**

(21) Appl. No.: **29/387,695**

(22) Filed: **Mar. 16, 2011**

(51) **LOC (10) Cl.** **10-02**

(52) **U.S. Cl.**
USPC **D10/38**

(58) **Field of Classification Search**
USPC D10/30-39; D11/3, 12; 368/276, 281, 368/282
See application file for complete search history.

(56) **References Cited**

U.S. PATENT DOCUMENTS

892,965 A *	7/1908	Sevcik	474/224
1,598,250 A *	8/1926	Person	59/80
2,143,703 A	12/1937	Kestenman	
2,954,665 A	10/1960	Panerai et al.	
D224,602 S	8/1972	Poon	
D246,830 S	1/1978	Lossini	
D247,103 S	1/1978	Lossini	
D279,172 S *	6/1985	Hysek	D10/32
D294,683 S *	3/1988	Perrin	D10/32
D294,806 S *	3/1988	Perrin	D10/32
D295,841 S	5/1988	Kano	
D301,986 S *	7/1989	Hysek	D10/32
D303,504 S *	9/1989	Hysek	D10/32
D318,237 S *	7/1991	Hysek	D10/32
D320,946 S *	10/1991	Crocco	D10/32
D350,072 S *	8/1994	Hitter	D10/32

D353,340 S *	12/1994	Burgener	D10/32
D354,919 S *	1/1995	Wunderman	D10/32
D361,285 S *	8/1995	Bulgari	D10/39
D362,192 S *	9/1995	Hitter	D10/32
D365,767 S *	1/1996	Hitter	D10/32
D377,150 S *	1/1997	Hartzband	D10/32
D378,062 S *	2/1997	Bulgari	D10/32
D378,063 S *	2/1997	Bulgari	D10/32
D383,083 S	9/1997	Ludvig	
D392,902 S	3/1998	Mouawad	
D401,513 S *	11/1998	Coquerel	D10/39
D410,853 S *	6/1999	Bulgari	D10/32

(Continued)

OTHER PUBLICATIONS

U.S. Appl. No. 29/314,126, filed Mar. 4, 2009, Goodman.

(Continued)

Primary Examiner — Lucy Lieberman

(74) *Attorney, Agent, or Firm* — Knobbe Martens Olson & Bear, LLP

(57) **CLAIM**

The ornamental design for a watch, as shown and described.

DESCRIPTION

FIG. 1 is a front perspective view of a watch of the present invention;

FIG. 2 is a front elevational view of the watch of FIG. 1;

FIG. 3 is a rear elevational view of the watch of FIG. 1;

FIG. 4 is a right side elevational view of the watch of FIG. 1;

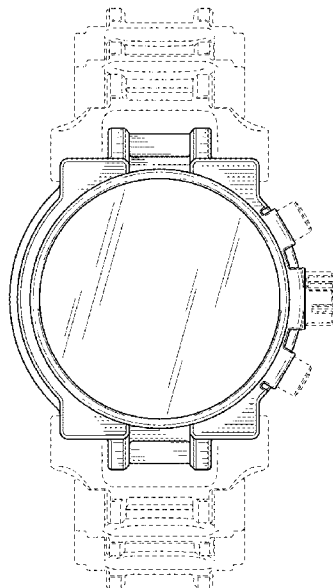
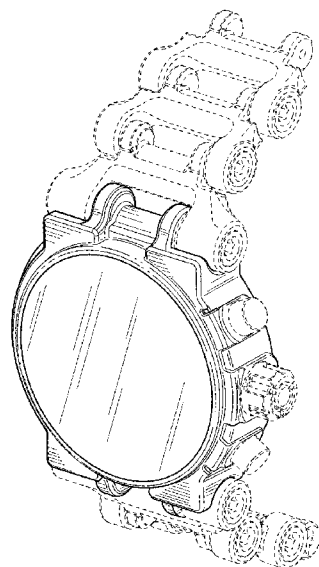
FIG. 5 is a left side elevational view of the watch of FIG. 1;

FIG. 6 is a top plan view of the watch of FIG. 1; and,

FIG. 7 is a bottom plan view of the watch of FIG. 1.

The broken lines are for illustrative purposes only and form no part of the claimed design.

1 Claim, 4 Drawing Sheets



(56)

References Cited

U.S. PATENT DOCUMENTS

D413,273 S * 8/1999 Hartzband D10/32
 D415,432 S * 10/1999 Cattin D10/30
 D416,815 S * 11/1999 Hartzband D10/32
 D425,799 S * 5/2000 Hysek D10/32
 D430,042 S * 8/2000 Schopfer D10/32
 D431,475 S 10/2000 Rabassa
 D438,813 S 3/2001 Yellen
 6,200,019 B1 3/2001 Latini
 D440,887 S * 4/2001 Tripet D10/32
 D443,833 S * 6/2001 Lepeu et al. D10/32
 D443,843 S * 6/2001 Schopfer D11/3
 D444,075 S * 6/2001 Lepeu et al. D10/32
 D444,078 S * 6/2001 Strasser D10/39
 D447,063 S 8/2001 Scheufele
 D447,065 S * 8/2001 Baumann D10/39
 D452,175 S 12/2001 Finazzi
 D460,698 S * 7/2002 Jamin D10/32
 D486,404 S * 2/2004 Shriqui D10/32
 D519,854 S 5/2006 Modolo
 D535,199 S * 1/2007 Lassigne D10/32

D536,627 S 2/2007 Behling
 D556,604 S 12/2007 Yee et al.
 D557,619 S 12/2007 Moritz
 D563,802 S 3/2008 Loth
 D569,741 S * 5/2008 Satou et al. D10/39
 D574,263 S 8/2008 Loth
 D574,734 S 8/2008 Loth
 D579,790 S 11/2008 Yee et al.
 D585,308 S 1/2009 Loth
 D585,768 S 2/2009 Loth
 D586,238 S 2/2009 Loth
 D590,728 S 4/2009 Moritz
 D595,156 S 6/2009 Yee
 D598,301 S 8/2009 Moritz
 D598,302 S 8/2009 Moritz
 D600,572 S 9/2009 Yee
 D610,473 S * 2/2010 Goodman D10/38
 D622,619 S 8/2010 Goodman

OTHER PUBLICATIONS

U.S. Appl. No. 29/314,424, filed Jul. 3, 2009, Goodman.

* cited by examiner

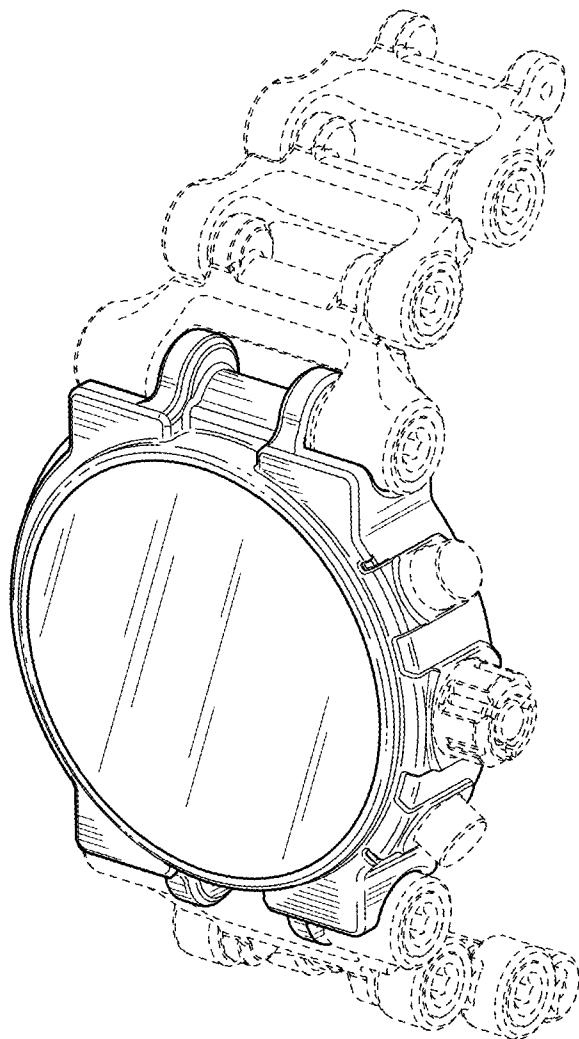


FIG. 1

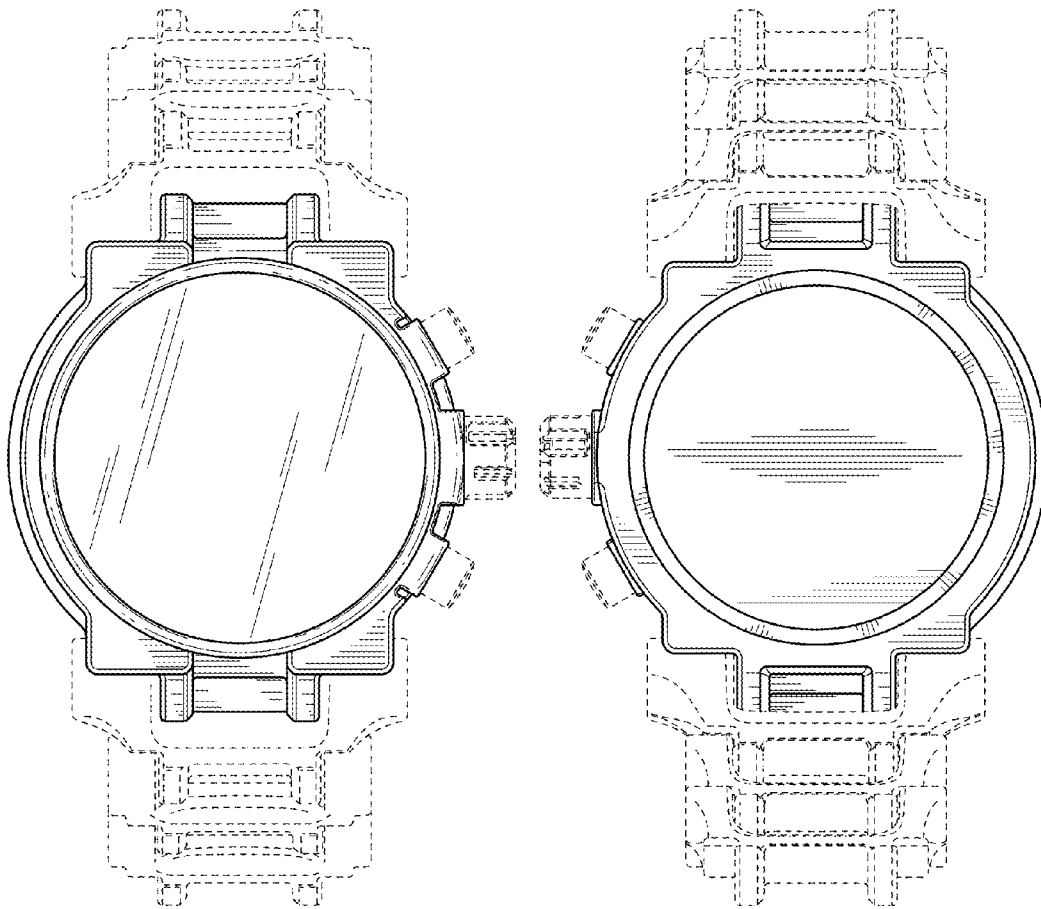


FIG. 2

FIG. 3

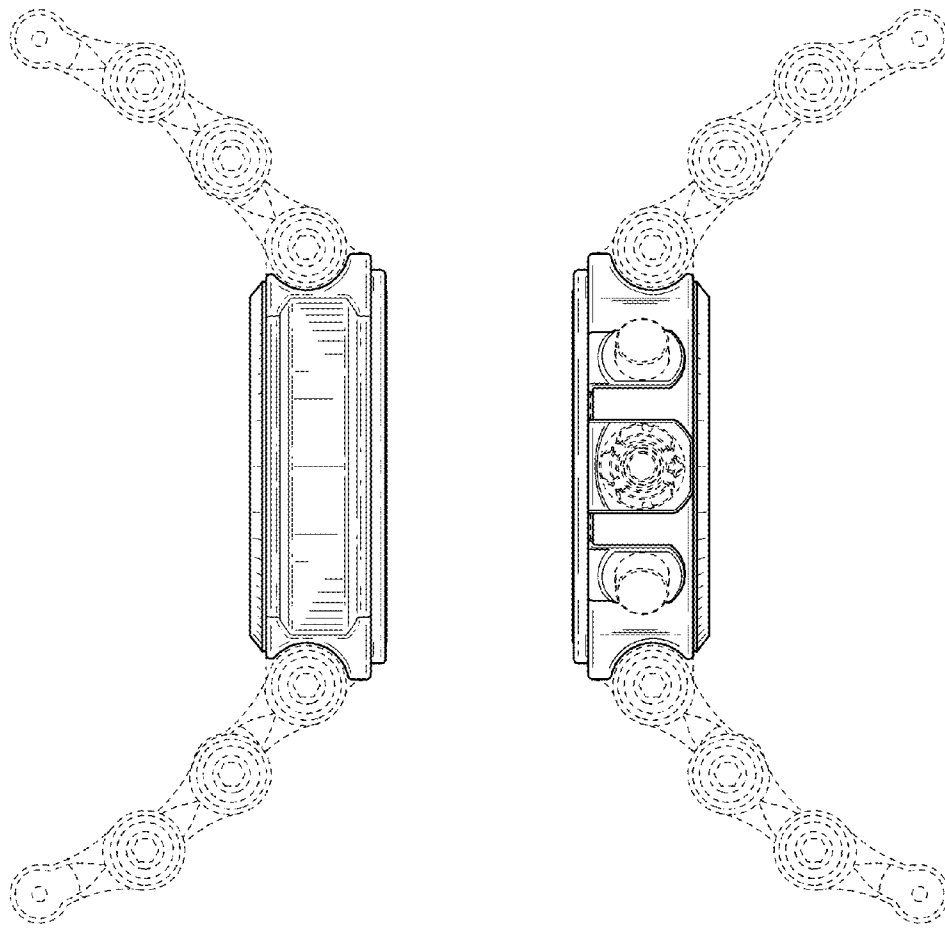


FIG. 4

FIG. 5

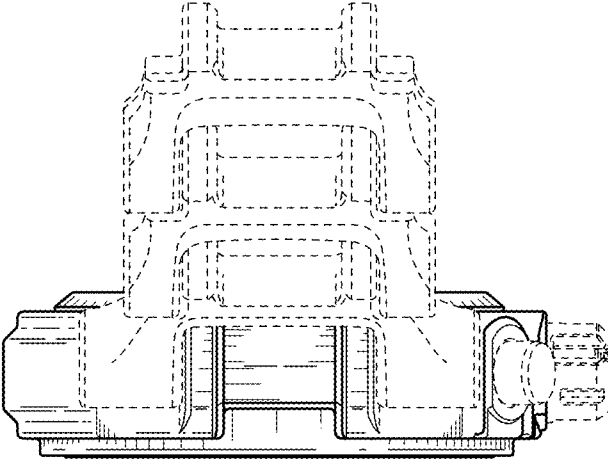


FIG. 6

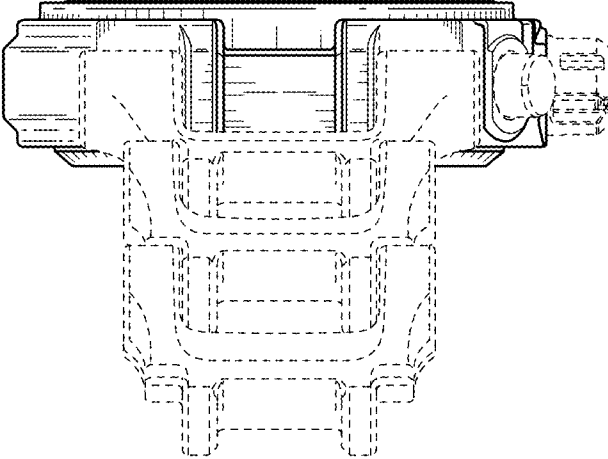


FIG. 7