

(12) **United States Design Patent**
Goddard

(10) **Patent No.:** **US D816,201 S**
(45) **Date of Patent:** **** Apr. 24, 2018**

(54) **AIR FRESHENER**

(71) Applicant: **Kraco Enterprises, LLC**, Compton, CA (US)
(72) Inventor: **Lingere D. Goddard**, Carson, CA (US)
(73) Assignee: **Kraco Enterprises, LLC.**, Compton, CA (US)

(**) Term: **15 Years**

(21) Appl. No.: **29/579,595**

(22) Filed: **Sep. 30, 2016**

(51) **LOC (11) Cl.** **28-99**

(52) **U.S. Cl.**
USPC **D23/366**

(58) **Field of Classification Search**
USPC D23/355-370, 386-388; D8/387;
D9/436; D11/40-44, 121, 160; D22/145
CPC F16B 39/30; F16B 25/0052; F16B 25/02;
F16B 33/02; F16B 25/0026; F16B
25/0015

See application file for complete search history.

(56) **References Cited**

U.S. PATENT DOCUMENTS

3,990,848 A	11/1976	Corris
4,059,422 A	11/1977	Steiner
4,166,087 A	8/1979	Cline et al.
4,268,285 A	5/1981	Mason
4,830,791 A	5/1989	Muderlak et al.
4,865,816 A	9/1989	Walz et al.
5,034,222 A	7/1991	Kellett et al.
5,419,879 A	5/1995	Vlahakis et al.

(Continued)

Primary Examiner — Robert M. Spear

Assistant Examiner — John A Voytek

(74) *Attorney, Agent, or Firm* — Wood Herron & Evans LLP

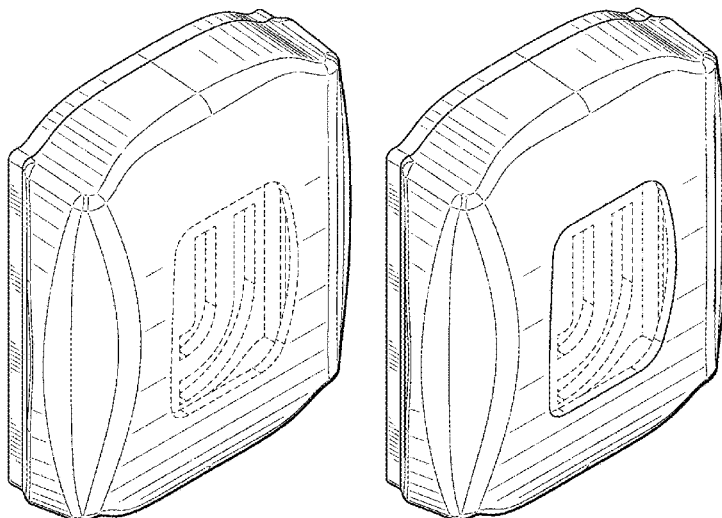
(57) **CLAIM**

The ornamental design for an air freshener, as shown and described.

DESCRIPTION

FIG. 1 is a front top isometric view of an air freshener in accordance with a first embodiment of this invention; FIG. 2 is a front elevational view of the air freshener of FIG. 1; FIG. 3 is a rear elevational view of the air freshener of FIG. 1; FIG. 4 is a right side elevational view of the air freshener of FIG. 1; FIG. 5 is a left side elevational view of the air freshener of FIG. 1; FIG. 6 is a top plan view of the air freshener of FIG. 1; and FIG. 7 is a bottom plan view of the air freshener of FIG. 1. FIG. 8 is a front top isometric view of an air freshener in accordance with a second embodiment of this invention; FIG. 9 is a front elevational view of the air freshener of FIG. 8; FIG. 10 is a rear elevational view of the air freshener of FIG. 8; FIG. 11 is a right side elevational view of the air freshener of FIG. 8; FIG. 12 is a left side elevational view of the air freshener of FIG. 8; FIG. 13 is a top plan view of the air freshener of FIG. 8; and, FIG. 14 is a bottom plan view of the air freshener of FIG. 8. The broken dash lines shown in the drawings are for illustrative purposes only and form no part of the claimed invention. To this end, the broken dash lines represent non-claimed subject matter, and neither the lines themselves nor anything within the lines form any part of the claimed invention.

1 Claim, 6 Drawing Sheets



(56)

References Cited

U.S. PATENT DOCUMENTS

D376,639 S * 12/1996 Moore D23/356
D396,275 S * 7/1998 Pearson D23/355
D426,627 S * 6/2000 Cho D23/355
6,135,431 A 10/2000 Muhmel et al.
6,581,915 B2 6/2003 Bartsch et al.
6,631,888 B1 10/2003 Prueter
D497,984 S * 11/2004 Tokunaga D23/364
6,913,733 B2 7/2005 Hardy et al.
7,036,800 B2 5/2006 Ellis
7,175,815 B2 2/2007 Yamasaki et al.
D599,896 S * 9/2009 Choi D23/364
D627,044 S * 11/2010 Virr D23/356
D633,610 S * 3/2011 Wu D23/366
D657,036 S * 4/2012 Vetu D23/364
D694,382 S 11/2013 Brandenburg et al.
D709,172 S 7/2014 Brandenburg et al.
8,925,905 B2 1/2015 Vieira
D737,944 S * 9/2015 Shore D23/364
D748,238 S * 1/2016 Mecker D23/366
9,265,853 B2 2/2016 Scott et al.
2006/0039835 A1 2/2006 Nottingham et al.
2008/0056691 A1 3/2008 Wingo et al.
2008/0213372 A1 9/2008 Pastor et al.
2010/0129268 A1 5/2010 Andersen
2010/0226818 A1 9/2010 Miyagi et al.
2011/0027124 A1 2/2011 Albee et al.
2011/0038761 A1 2/2011 Saleh et al.
2012/0181350 A1 7/2012 Snider
2013/0034444 A1 2/2013 Muderlak et al.
2015/0016995 A1 1/2015 Scolari
2015/0352241 A1 12/2015 Furner et al.
2016/0106877 A1 4/2016 Albee et al.

* cited by examiner

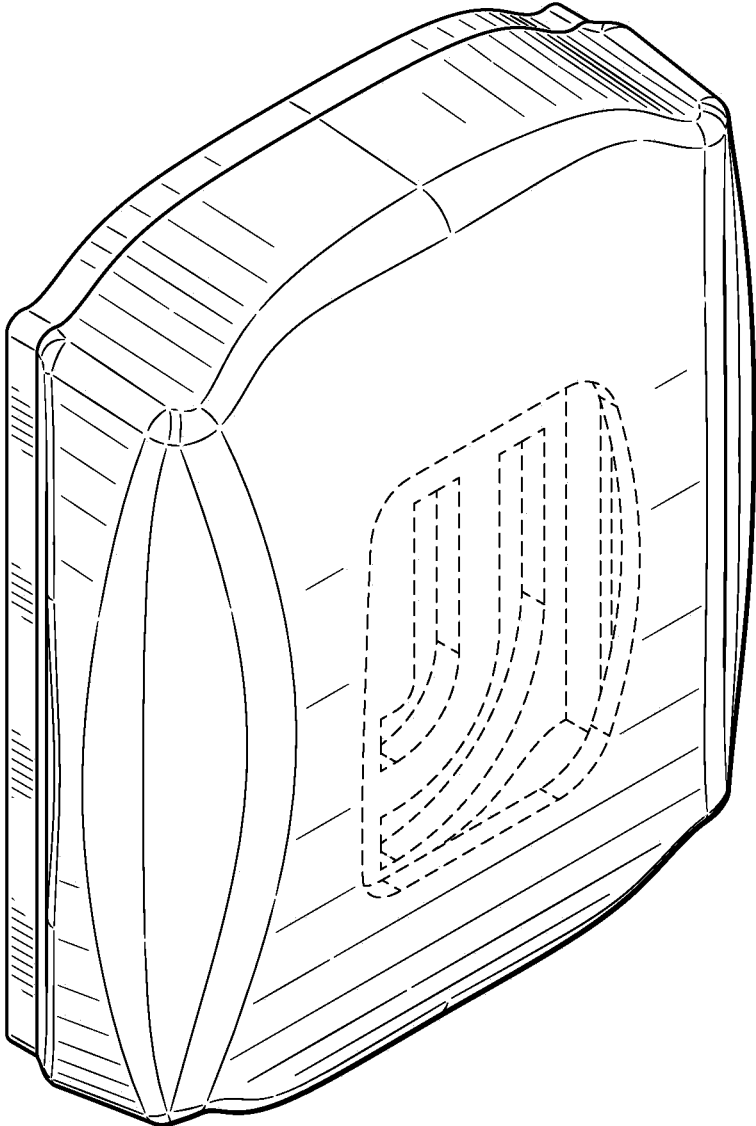


FIG. 1

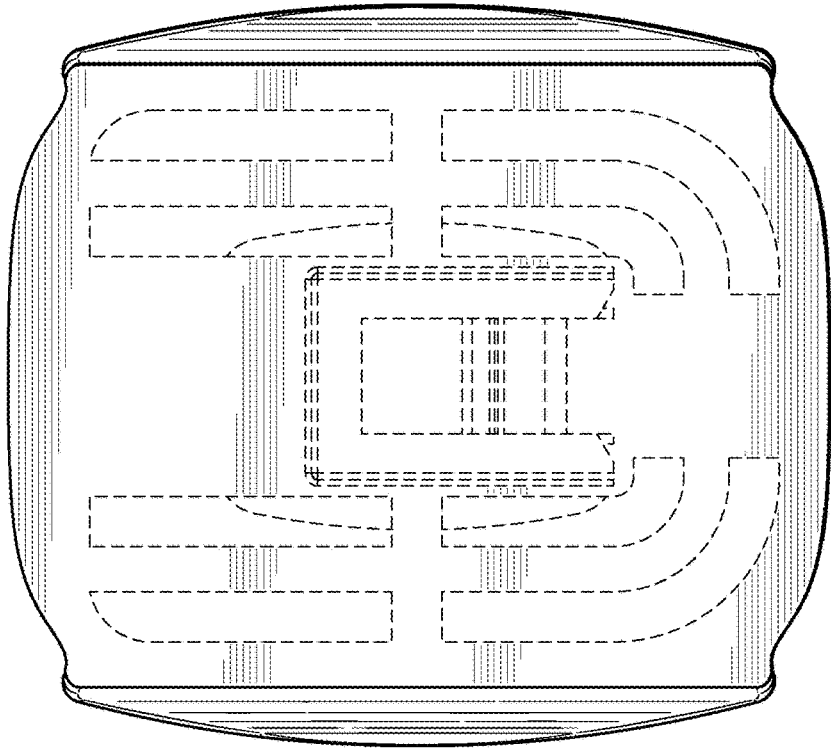


FIG. 3

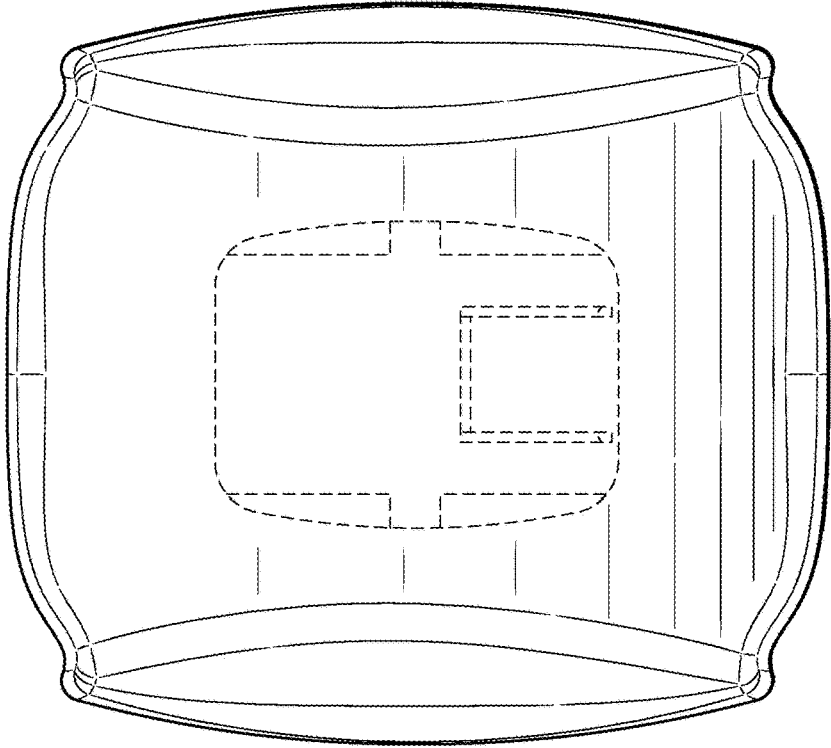


FIG. 2

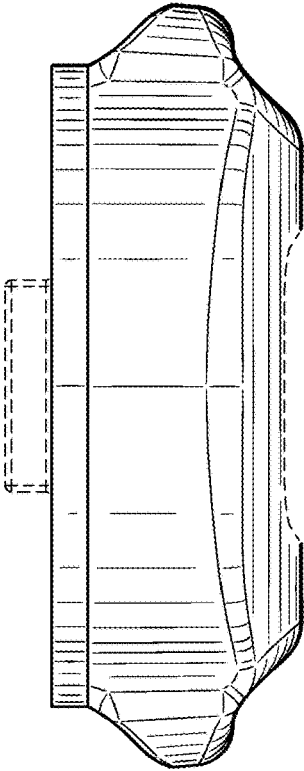


FIG. 6

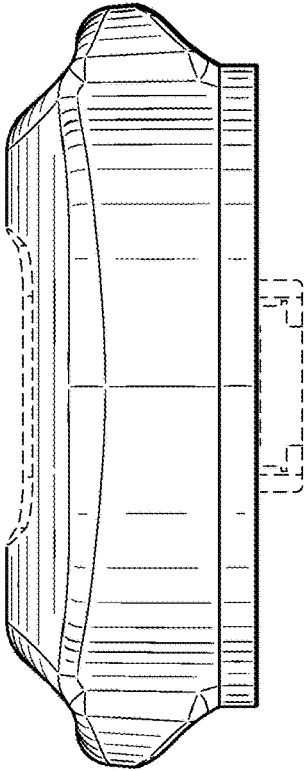


FIG. 7

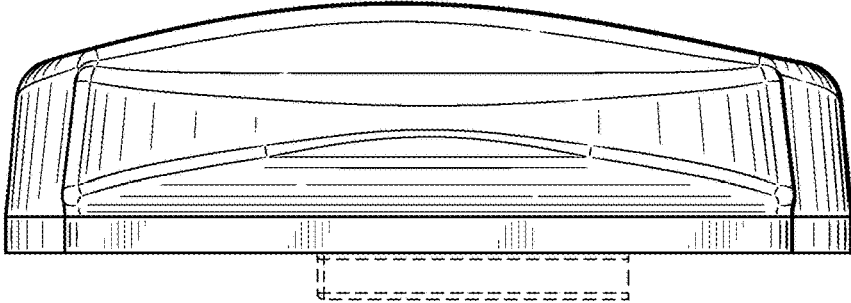


FIG. 5

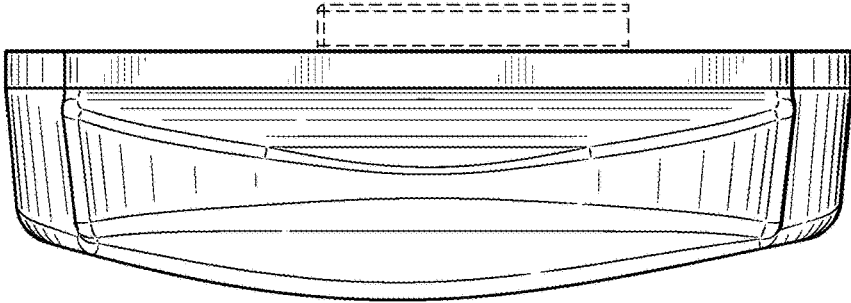


FIG. 4

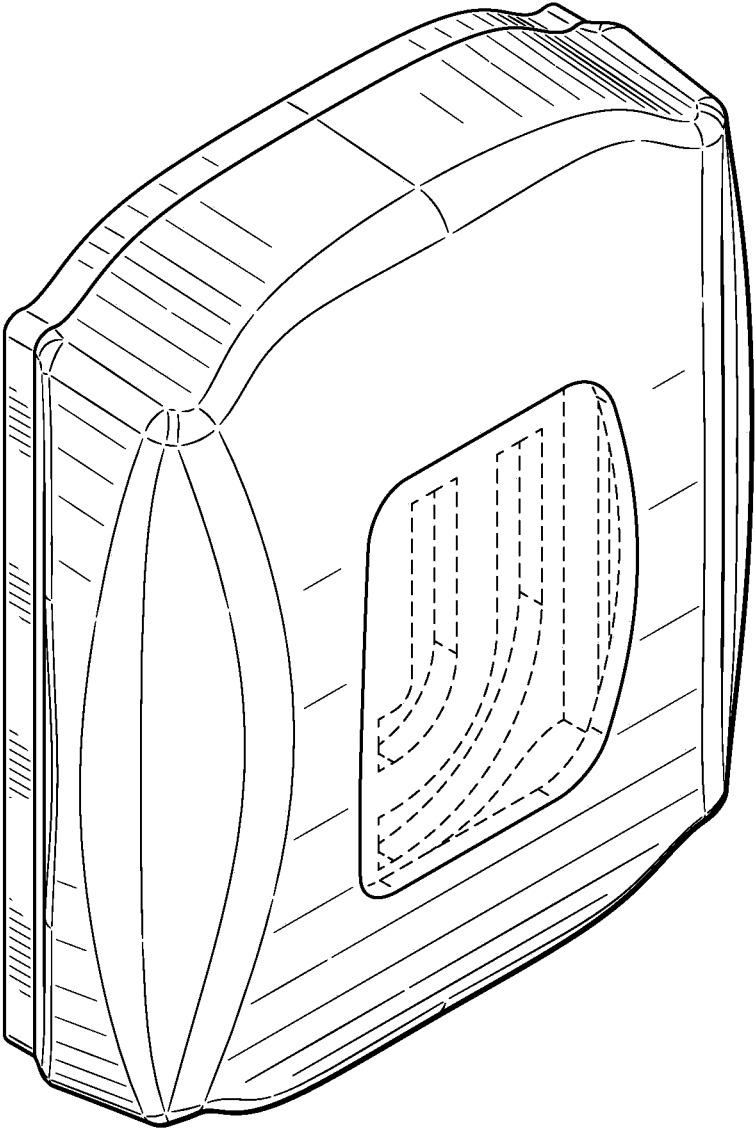


FIG. 8

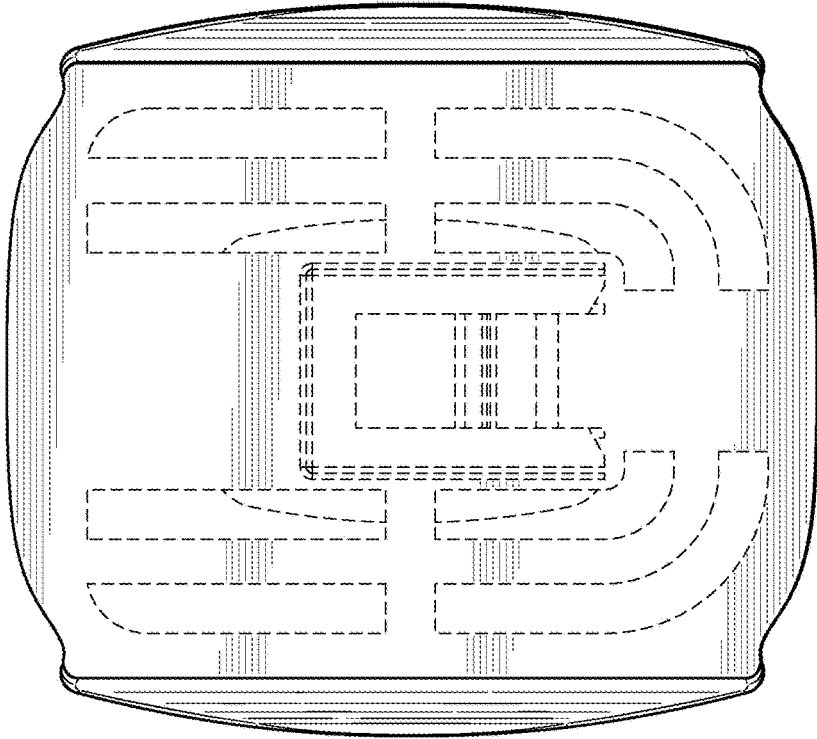


FIG. 10

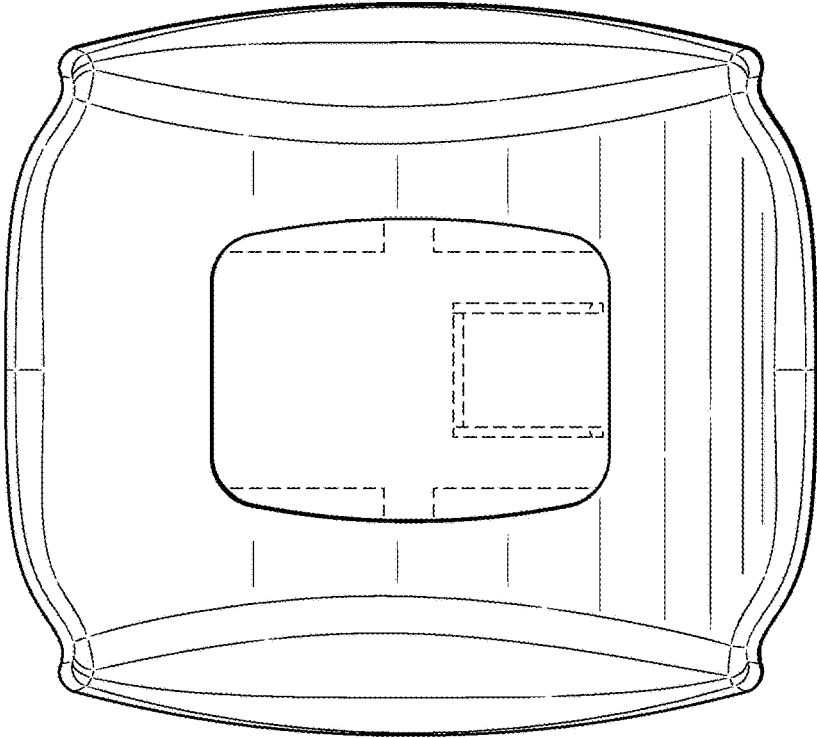


FIG. 9

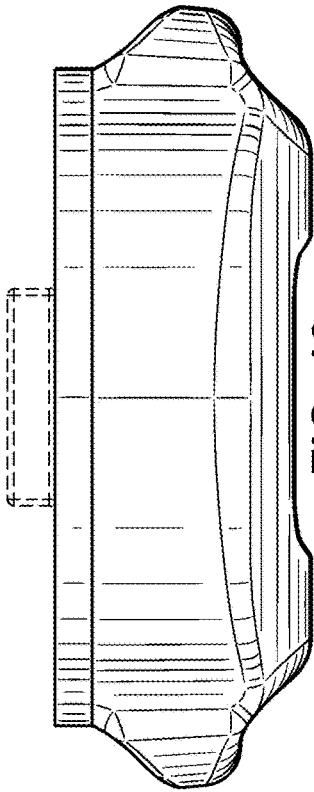


FIG. 13

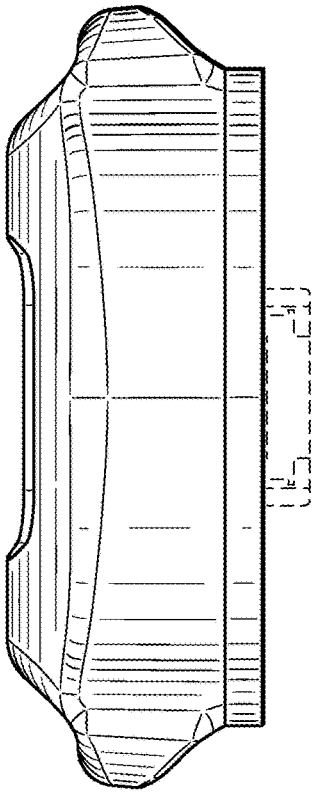


FIG. 14

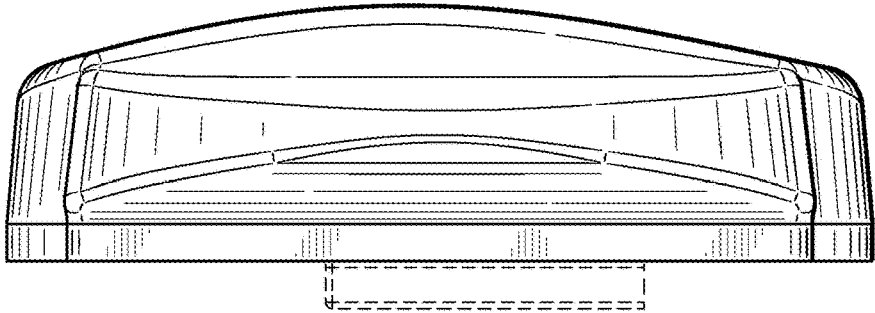


FIG. 12

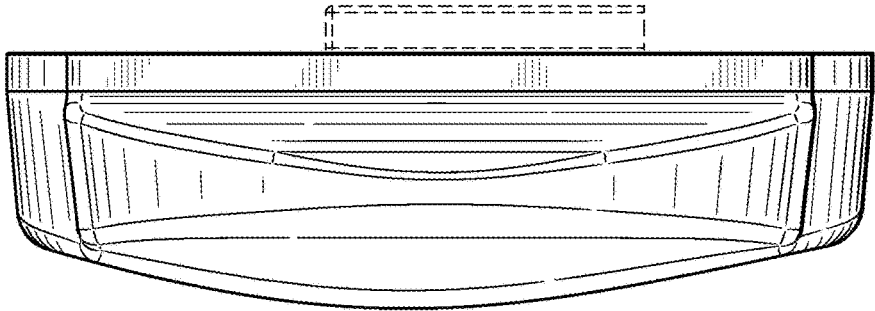


FIG. 11