



US00D516911S

(12) **United States Design Patent**
Bloom et al.

(10) **Patent No.:** **US D516,911 S**
(45) **Date of Patent:** **** Mar. 14, 2006**

- (54) **CLOSURE SHELL**
- (75) Inventors: **Kenneth S. Bloom**, Bloomdale, OH (US); **Wendell D. Willingham**, Perrysburg, OH (US)
- (73) Assignee: **Owens-Illinois Closure Inc.**, Toledo, OH (US)
- (**) Term: **14 Years**
- (21) Appl. No.: **29/236,106**
- (22) Filed: **Aug. 11, 2005**

Related U.S. Application Data

- (62) Division of application No. 29/201,323, filed on Mar. 11, 2004.
- (51) **LOC (8) Cl.** **09-07**
- (52) **U.S. Cl.** **D9/453**
- (58) **Field of Classification Search** D9/455, D9/548, 435, 449, 438, 569, 556, 537, 529, D9/454, 453; D24/197, 199, 224, 196; 220/253; 215/11.3, 11.1, 334, 329, 252, 250, 219, 217, 215/216, 214, 222, 232, 253; 206/562
See application file for complete search history.

(56) **References Cited**

U.S. PATENT DOCUMENTS

D51,893 S	3/1918	Temple	
D113,394 S	* 2/1939	Piluso D9/453
D124,623 S	1/1941	Jung	
D145,512 S	9/1946	Derham	
D153,956 S	* 5/1949	Lay D9/453
2,643,785 A	6/1953	Rust Sr.	
2,746,631 A	5/1956	Witz	
3,746,198 A	7/1973	Howland	
D247,351 S	2/1978	Bathropp	
D250,633 S	12/1978	Bouthillier et al.	
D290,323 S	6/1987	Weernink	
D304,424 S	* 11/1989	Dawson D9/453

4,981,230 A	1/1991	Marshall et al.	
D318,804 S	8/1991	Ochs	
D320,085 S	9/1991	Beranek et al.	
5,213,224 A	* 5/1993	Luch 215/329
D358,769 S	5/1995	Luch et al.	
D368,658 S	4/1996	Hirsch	
D369,748 S	5/1996	Zemlo et al.	
D383,851 S	* 9/1997	Wong D24/224
5,853,097 A	12/1998	Ekkert	
D405,530 S	2/1999	Manganiello et al.	
D407,978 S	4/1999	Petro	
D417,397 S	12/1999	Forecast et al.	
D433,149 S	* 10/2000	Fassbind et al. D24/224
D436,862 S	1/2001	Witt et al.	
D437,228 S	2/2001	Collins	
D453,109 S	1/2002	Piquet	
6,382,440 B1	5/2002	Brant et al.	
D458,138 S	6/2002	Fuchs	
D465,731 S	11/2002	Brant et al.	
D475,924 S	6/2003	Haffner	
D481,801 S	11/2003	Whitley	
2003/0221987 A1	12/2003	Trude	

* cited by examiner

Primary Examiner—Robert M. Spear
Assistant Examiner—Susan Bennett Hattan

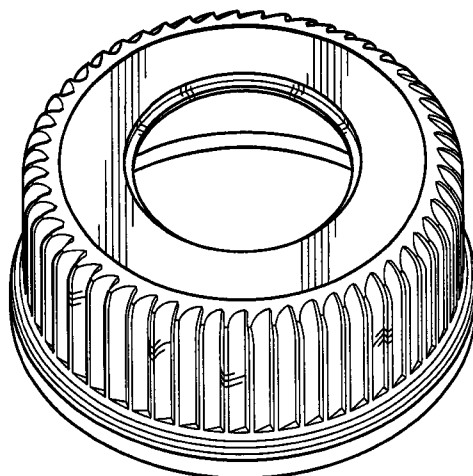
(57) **CLAIM**

We claim the ornamental design for a closure shell, as shown and described.

DESCRIPTION

FIG. 1 is a perspective view of a closure shell in accordance with the invention.
FIG. 2 is a front elevational view of the closure shell in FIG. 1, the opposing rear elevational view and the two side elevational views being identical to FIG. 2; and,
FIG. 3 is a top plan view of the closure shell in FIGS. 1 and 2, the bottom of the closure shell forming no part of the claimed design.

1 Claim, 2 Drawing Sheets



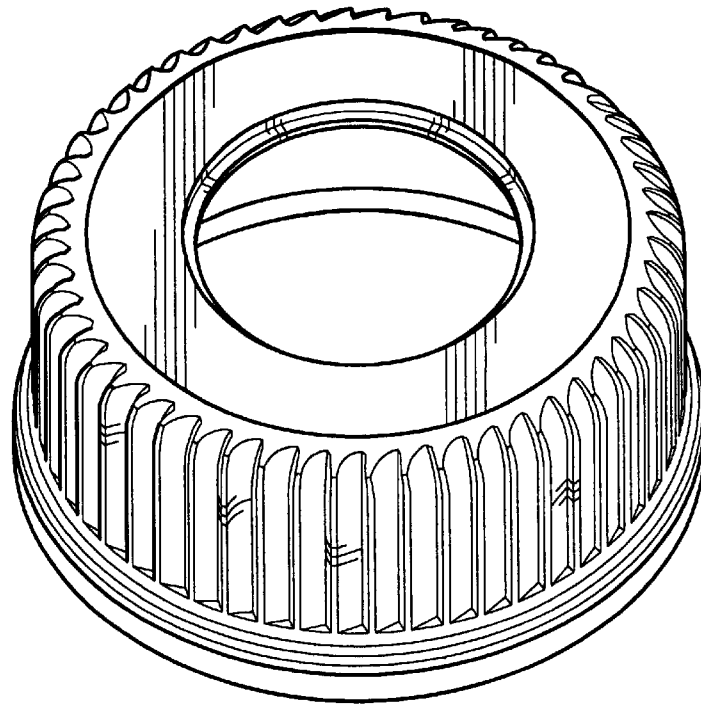


Figure 1

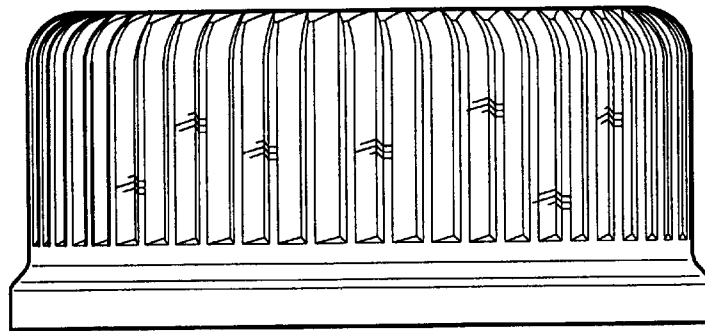


Figure 2

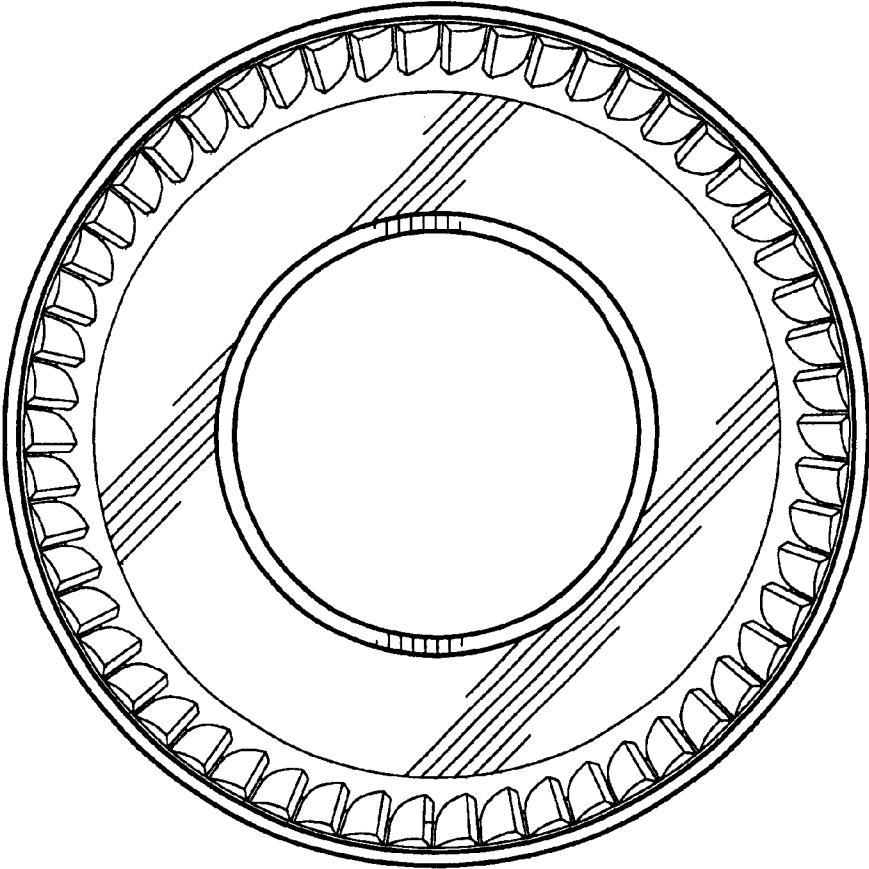


Figure 3