

[54] CANOPY BED FRAME

[76] Inventor: Larry L. Ragland, 1341 W. Campbell, Phoenix, Ariz. 85013

[\*\*] Term: 14 Years

[21] Appl. No.: 509,108

[22] Filed: Sep. 25, 1974

[51] Int. Cl. .... D6-01

[52] U.S. Cl. .... D6/83

[58] Field of Search ..... D6/79-85, D6/52, 133, 153, 181, 186, 198; 5/348 WB

[56] References Cited

U.S. PATENT DOCUMENTS

- D. 5,950 6/1872 Fitzsimmons ..... D6/83
- D. 84,891 8/1931 Graybill ..... D6/186

- D. 163,650 6/1951 Springs ..... D6/83
- D. 228,269 9/1973 Berkel ..... D6/84

Primary Examiner—Joel Stearman  
Assistant Examiner—J. Corrigan  
Attorney, Agent, or Firm—William H. Drummond

[57] CLAIM

The ornamental design for a canopy bed frame, as shown and described.

DESCRIPTION

FIG. 1 is a front, top and left side perspective view of a canopy bed frame showing my new design; FIG. 2 is a rear, bottom and right side perspective view; FIG. 3 is a left side elevational view, a portion there being broken away for convenience of illustration; FIG. 4 is a rear elevational view; and FIG. 5 is a front elevational view.

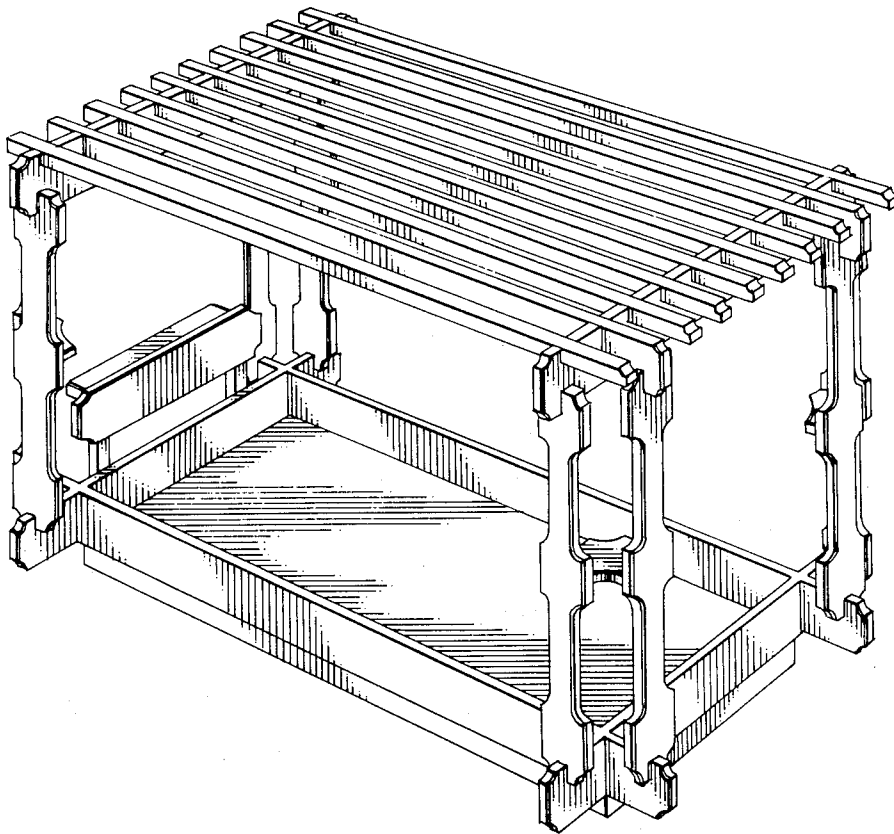
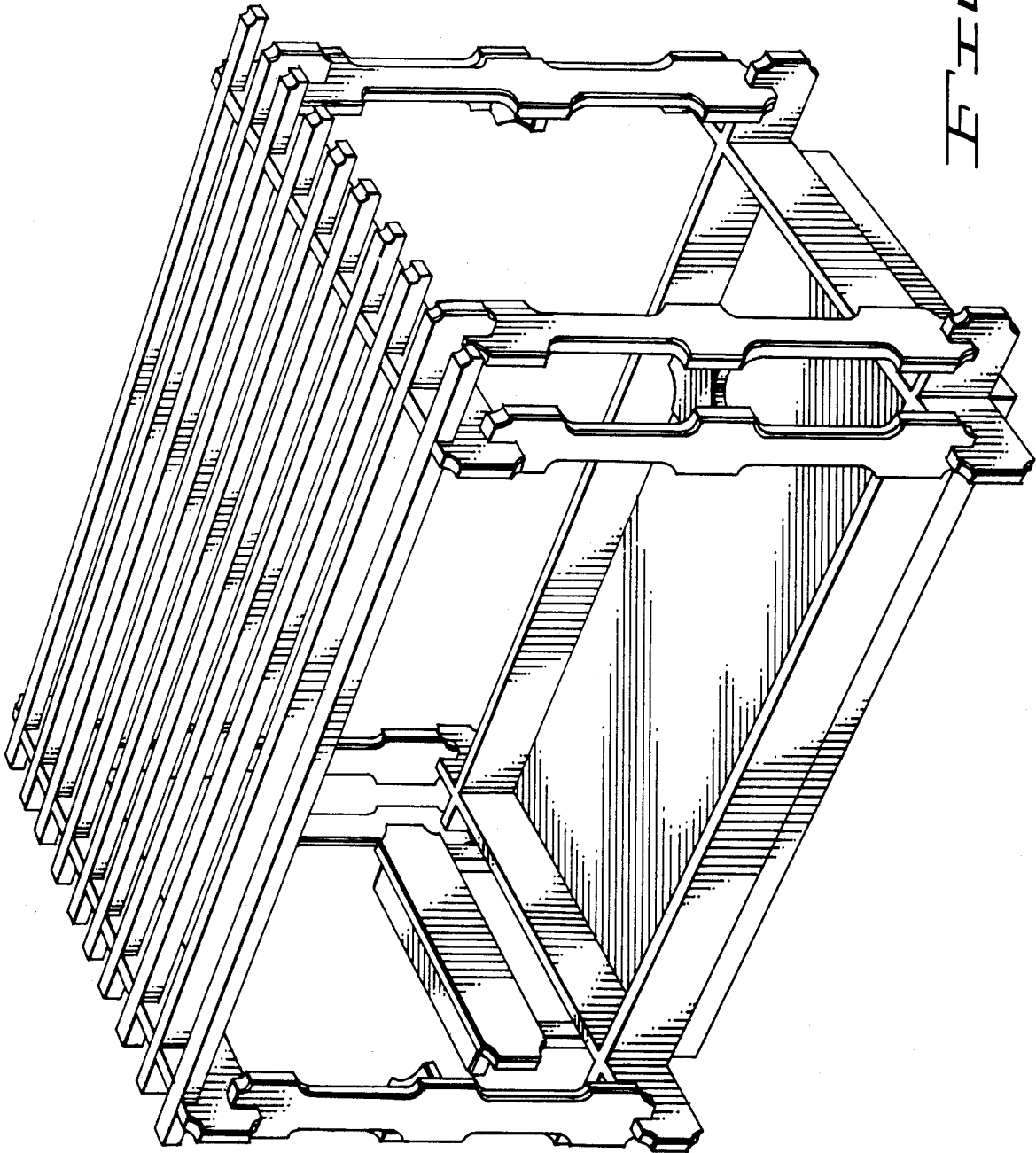
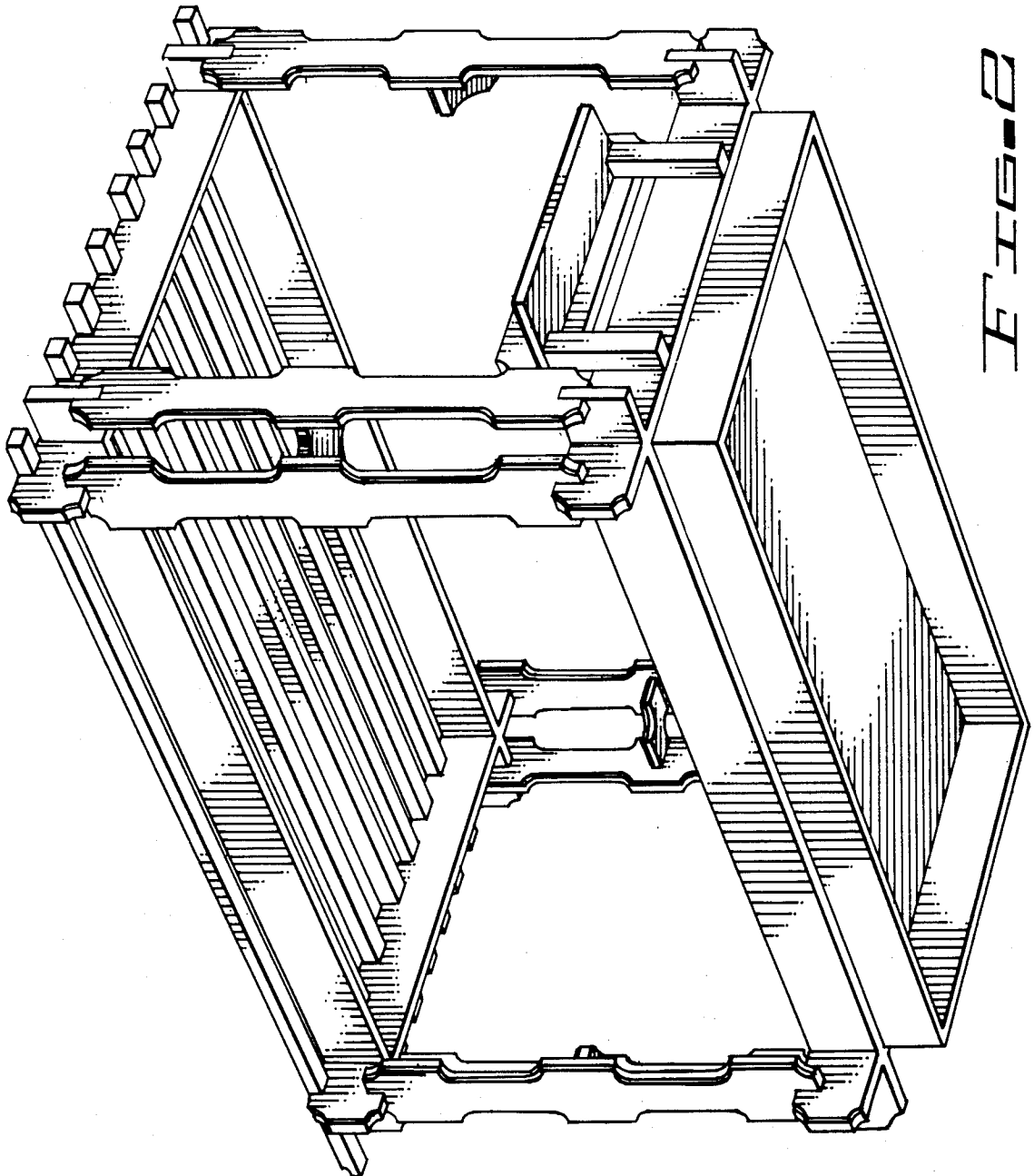


FIG. 1





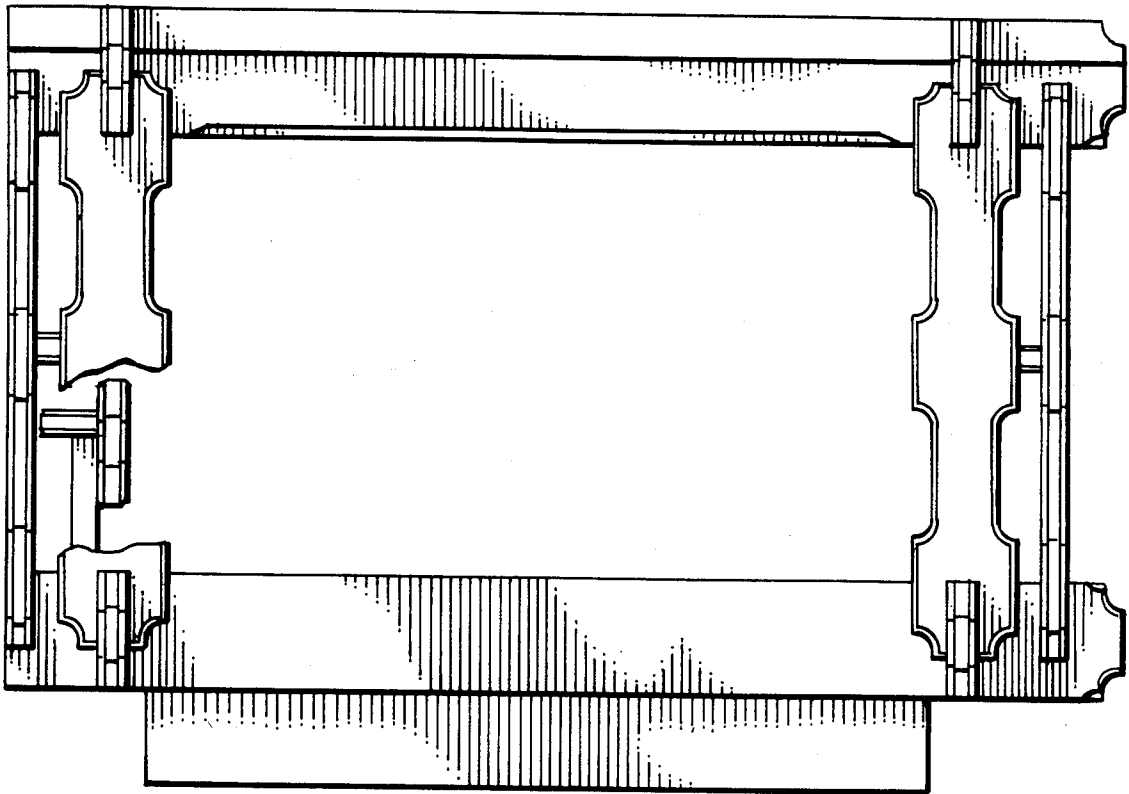


FIG. 3

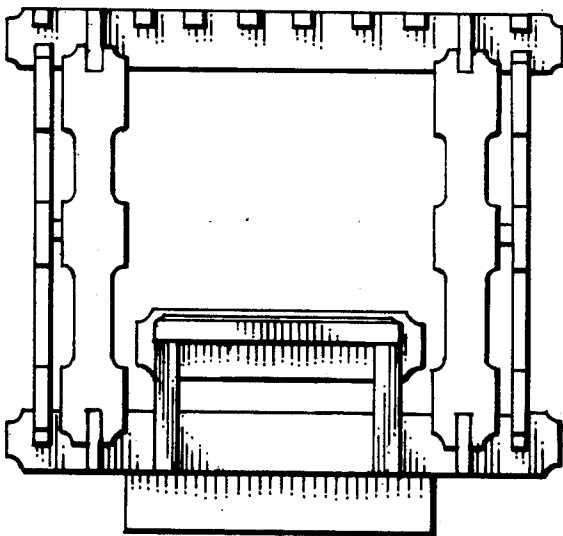


FIG. 4

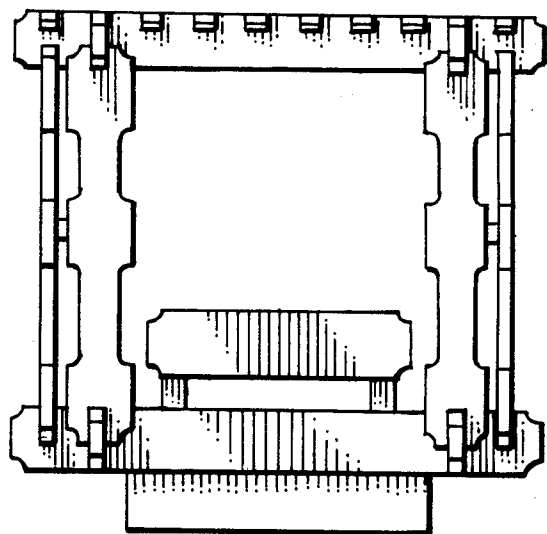


FIG. 5