

(19) World Intellectual Property Organization
International Bureau



(43) International Publication Date
27 September 2007 (27.09.2007)

PCT

(10) International Publication Number
WO 2007/108008 A3

- (51) International Patent Classification:
C02F 1/16 (2006.01)
- (21) International Application Number:
PCT/IN2007/000106
- (22) International Filing Date: 15 March 2007 (15.03.2007)
- (25) Filing Language: English
- (26) Publication Language: English
- (30) Priority Data:

509/CHE/2006	22 March 2006 (22.03.2006)	IN
665/CHE/2006	12 April 2006 (12.04.2006)	IN
748/CHE/2006	25 April 2006 (25.04.2006)	IN
- (71) Applicant and
- (72) Inventor: KUMAR, S. [IN/IN]; No 1, Second Street, Padmanabha Nagar, Adyar Chennai 600 020 (IN).
- (81) Designated States (unless otherwise indicated, for every kind of national protection available): AE, AG, AL, AM, AT, AU, AZ, BA, BB, BG, BR, BW, BY, BZ, CA, CH, CN, CO, CR, CU, CZ, DE, DK, DM, DZ, EC, EE, EG, ES, FI,

GB, GD, GE, GH, GM, GT, HN, HR, HU, ID, IL, IN, IS, JP, KE, KG, KM, KN, KP, KR, KZ, LA, LC, LK, LR, LS, LT, LU, LY, MA, MD, MG, MK, MN, MW, MX, MY, MZ, NA, NG, NI, NO, NZ, OM, PG, PH, PL, PT, RO, RS, RU, SC, SD, SE, SG, SK, SL, SM, SV, SY, TJ, TM, TN, TR, TT, TZ, UA, UG, US, UZ, VC, VN, ZA, ZM, ZW.

- (84) Designated States (unless otherwise indicated, for every kind of regional protection available): ARIPO (BW, GH, GM, KE, LS, MW, MZ, NA, SD, SL, SZ, TZ, UG, ZM, ZW), Eurasian (AM, AZ, BY, KG, KZ, MD, RU, TJ, TM), European (AT, BE, BG, CH, CY, CZ, DE, DK, EE, ES, FI, FR, GB, GR, HU, IE, IS, IT, LT, LU, LV, MC, MT, NL, PL, PT, RO, SE, SI, SK, TR), OAPI (BF, BJ, CF, CG, CI, CM, GA, GN, GQ, GW, ML, MR, NE, SN, TD, TG).

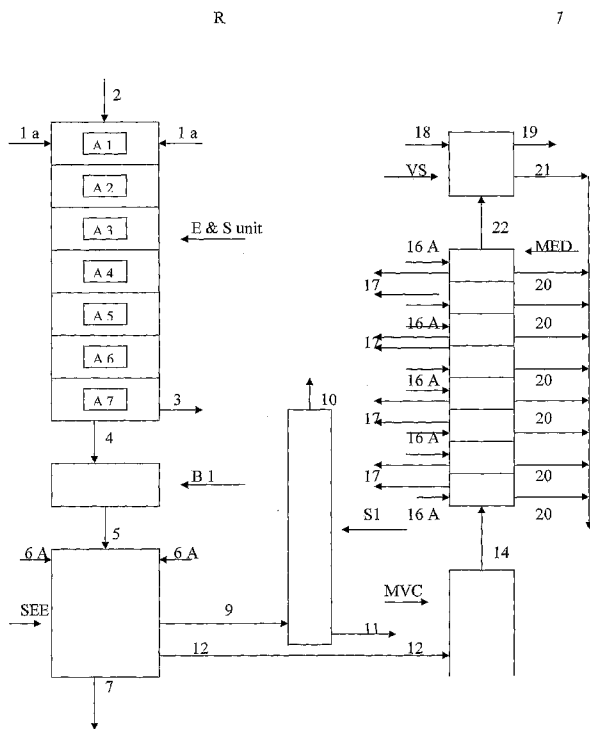
Declarations under Rule 4.17:

- as to the identity of the inventor (Rule 4.17(i))
- as to applicant's entitlement to apply for and be granted a patent (Rule 4.17(ii))
- as to the applicant's entitlement to claim the priority of the earlier application (Rule 4.17(iii))
- of inventorship (Rule 4.17(iv))

[Continued on next page]

(54) Title: FGEPSC (FLARED, GAS EXHAUST, PNEUMATIC, SATURATION AND CONDENSATION) PROCESS AND SYSTEM

(57) Abstract: The present invention discloses a process and apparatus for utilization of waste heat of flue gas liberated from different heat sources to provide high quality water from sea/brackish.



WO 2007/108008 A3



Published:

— *with international search report*

(88) Date of publication of the international search report:

21 December 2007

(15) Information about Correction:

Previous Correction:

see PCT Gazette No. 45/2007 of 8 November 2007

For two-letter codes and other abbreviations, refer to the "Guidance Notes on Codes and Abbreviations" appearing at the beginning of each regular issue of the PCT Gazette.

INTERNATIONAL SEARCH REPORT

International application No
PCT/IN2007/000106

A. CLASSIFICATION OF SUBJECT MATTER INV. C02F1/16		
According to International Patent Classification (IPC) or to both national classification and IPC		
B. FIELDS SEARCHED		
Minimum documentation searched (classification system followed by classification symbols) C02F B01D		
Documentation searched other than minimum documentation to the extent that such documents are included in the fields searched		
Electronic data base consulted during the international search (name of data base and, where practical, search terms used) EPO-Internal, WPI Data, COMPENDEX		
C. DOCUMENTS CONSIDERED TO BE RELEVANT		
Category*	Citation of document, with indication, where appropriate, of the relevant passages	Relevant to claim No.
X	US 3 890 207 A (CHAPMAN WALTER H ET AL) 17 June 1975 (1975-06-17) figure 1 column 4, line 32 - column 7, line 27 -----	1-22
A	US 3 446 712 A (OTHMER DONALD F) 27 May 1969 (1969-05-27) the whole document -----	1-22
A	JP 55 147186 A (ISHIKAWAJIMA HARIMA HEAVY IND) 15 November 1980 (1980-11-15) the whole document -----	1-22
A	DE 100 52 918 A1 (HERHOF UMWELTTECHNIK GMBH [DE]) 28 March 2002 (2002-03-28) the whole document -----	1-22
	-/--	
<input checked="" type="checkbox"/> Further documents are listed in the continuation of Box C. <input checked="" type="checkbox"/> See patent family annex.		
* Special categories of cited documents : *A* document defining the general state of the art which is not considered to be of particular relevance *E* earlier document but published on or after the international filing date *L* document which may throw doubts on priority claim(s) or which is cited to establish the publication date of another citation or other special reason (as specified) *O* document referring to an oral disclosure, use, exhibition or other means *P* document published prior to the International filing date but later than the priority date claimed *T* later document published after the international filing date or priority date and not in conflict with the application but cited to understand the principle or theory underlying the invention *X* document of particular relevance; the claimed invention cannot be considered novel or cannot be considered to involve an inventive step when the document is taken alone *Y* document of particular relevance; the claimed invention cannot be considered to involve an inventive step when the document is combined with one or more other such documents, such combination being obvious to a person skilled in the art. *&* document member of the same patent family		
Date of the actual completion of the international search 17 September 2007		Date of mailing of the international search report 24/09/2007
Name and mailing address of the ISA/ European Patent Office, P.B. 5818 Patentlaan 2 NL - 2280 HV Rijswijk Tel. (+31-70) 340-2040, Tx. 31 651 epo nl, Fax: (+31-70) 340-3016		Authorized officer Janssens, Christophe

INTERNATIONAL SEARCH REPORT

International application No
PCT/IN2007/000106

C(Continuation). DOCUMENTS CONSIDERED TO BE RELEVANT

Category*	Citation of document, with indication, where appropriate, of the relevant passages	Relevant to claim No.
A	JP 61 216791 A (KURITA WATER IND LTD) 26 September 1986 (1986-09-26) the whole document	1-22
A	GB 1 508 203 A (SMITH C) 19 April 1978 (1978-04-19) the whole document	1-22

INTERNATIONAL SEARCH REPORT

International application No.
PCT/IN2007/000106

Box II Observations where certain claims were found unsearchable (Continuation of item 2 of first sheet)

This International Search Report has not been established in respect of certain claims under Article 17(2)(a) for the following reasons:

1. Claims Nos.:
because they relate to subject matter not required to be searched by this Authority, namely:

2. Claims Nos.:
because they relate to parts of the International Application that do not comply with the prescribed requirements to such an extent that no meaningful International Search can be carried out, specifically:

3. Claims Nos.:
because they are dependent claims and are not drafted in accordance with the second and third sentences of Rule 6.4(a).

Box III Observations where unity of invention is lacking (Continuation of item 3 of first sheet)

This International Searching Authority found multiple inventions in this international application, as follows:

see additional sheet

1. As all required additional search fees were timely paid by the applicant, this International Search Report covers all searchable claims.
2. As all searchable claims could be searched without effort justifying an additional fee, this Authority did not invite payment of any additional fee.
3. As only some of the required additional search fees were timely paid by the applicant, this International Search Report covers only those claims for which fees were paid, specifically claims Nos.:
4. No required additional search fees were timely paid by the applicant. Consequently, this International Search Report is restricted to the invention first mentioned in the claims; it is covered by claims Nos.:

Remark on Protest

- The additional search fees were accompanied by the applicant's protest.
- No protest accompanied the payment of additional search fees.

FURTHER INFORMATION CONTINUED FROM PCT/ISA/ 210

This International Searching Authority found multiple (groups of) inventions in this international application, as follows:

1. claim: 1

A process for the effective utilisation of waste heat comprising blowing flue gas to a an evaporating and scrubbing unit by a blower, washing a gas in an evaporating and scrubbing unit, obtaining pure water in a single effect evaporative condenser and a multiple effect distillator.

2. claim: 15

An apparatus comprising a blower, an evaporating and scrubbing unit, a single effect condenser, a mechanical vapor compressor and a multiple effect distillator.

INTERNATIONAL SEARCH REPORT

Information on patent family members

International application No

PCT/IN2007/000106

Patent document cited in search report	Publication date	Patent family member(s)	Publication date
US 3890207	A	17-06-1975 NONE	
US 3446712	A	27-05-1969 NONE	
JP 55147186	A	15-11-1980 JP 1129845 C JP 57025242 B	24-12-1982 28-05-1982
DE 10052918	A1	28-03-2002 NONE	
JP 61216791	A	26-09-1986 JP 1508417 C JP 63063038 B	26-07-1989 06-12-1988
GB 1508203	A	19-04-1978 JP 51049348 A	28-04-1976