



US00D522362S

(12) **United States Design Patent**
Liebe

(10) **Patent No.:** **US D522,362 S**

(45) **Date of Patent:** **** Jun. 6, 2006**

(54) **ROUND CONTAINER LID**

(75) Inventor: **Thomas Liebe**, Thun (CH)

(73) Assignee: **Hoffmann Neopac AG**, Thun (CH)

(**) Term: **14 Years**

(21) Appl. No.: **29/210,327**

(22) Filed: **Jul. 29, 2004**

(51) **LOC (8) CL.** **09-07**

(52) **U.S. CL.** **D9/449**

(58) **Field of Classification Search** D9/699,
D9/698, 697, 504, 449, 447, 446, 445, 444,
D9/440, 439, 435, 434, 428; D28/82, 76;
222/556; 221/306; 220/244; 215/236, 235;
D7/392.1

See application file for complete search history.

(56) **References Cited**

U.S. PATENT DOCUMENTS

3,417,897 A	*	12/1968	Johnson	220/254.3
D278,602 S		4/1985	Rosenstein	D9/449
D291,411 S		8/1987	Crawford	D9/440
4,693,399 A		9/1987	Hickman et al.	222/480
D303,584 S		9/1989	Bakic	D28/91
4,881,668 A	*	11/1989	Kitterman et al.	222/556
4,898,292 A		2/1990	VerWeyst et al.	215/237
4,901,892 A	*	2/1990	Song	222/556
4,936,494 A		6/1990	Weidman	222/480
5,085,331 A		2/1992	Groya et al.	215/245
5,139,181 A		8/1992	VerWeyst	222/480
D339,065 S	*	9/1993	Forsyth et al.	D9/447
D340,187 S		10/1993	Forsyth	D9/449
D340,188 S		10/1993	Forsyth	D9/449
5,273,177 A		12/1993	Campbell	220/281
5,285,917 A		2/1994	Hofmann	220/212.5
D350,837 S		9/1994	Kirby	D28/82
5,346,086 A		9/1994	Harris	220/254
D369,942 S		5/1996	Ahern, Jr.	D7/391
D374,590 S	*	10/1996	Ahern, Jr.	D7/392.1
5,697,509 A	*	12/1997	Hayes	215/235
5,706,981 A		1/1998	Nobakht	222/132
5,799,838 A		9/1998	Miller	222/480

D403,470 S	12/1998	Litton et al.	D28/82
D407,976 S	4/1999	Ekkert	D9/449
D409,086 S	5/1999	Brown et al.	D9/428
5,927,535 A	7/1999	Goth	220/254
D426,772 S	6/2000	Kahl	D9/449
D431,458 S	10/2000	Bried et al.	D9/339
D448,296 S	9/2001	Bried et al.	D9/449
D464,886 S	10/2002	Bried et al.	D9/504
D467,037 S	* 12/2002	Bakic	D28/82
D502,317 S	* 3/2005	Zuther	D9/428
2002/0125203 A1	9/2002	Bried et al.	215/235

* cited by examiner

Primary Examiner—Robert M. Spear

Assistant Examiner—Susan Bennett Hattan

(74) *Attorney, Agent, or Firm*—Gifford, Krass, Groh, Sprinkle, Anderson & Citowski, P.C.

(57) **CLAIM**

The ornamental design for a round container lid, as shown and described.

DESCRIPTION

FIG. 1 is a perspective view of a round container lid showing my new design in a closed position with a mated container shown in broken lines;

FIG. 2 is a perspective view of the inventive lid depicted in FIG. 1 in an open position;

FIG. 3 is a top view of the inventive lid depicted in FIG. 2;

FIG. 4 is a top view of the inventive lid depicted in FIG. 1;

FIG. 5 is a front elevational view of the inventive lid depicted in FIG. 1;

FIG. 6 is a front elevational view of the inventive lid depicted in FIG. 2;

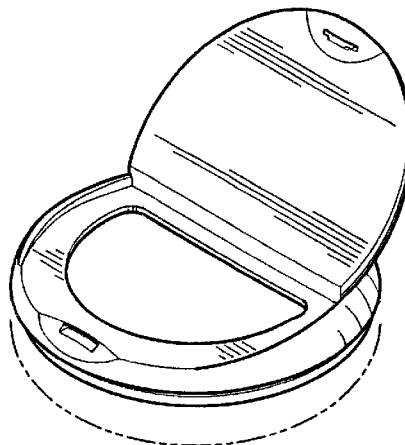
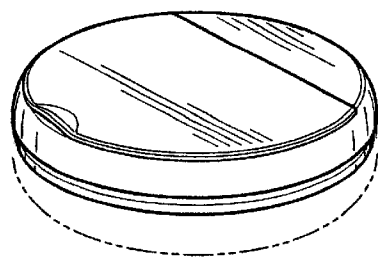
FIG. 7 is a rear elevational view of the inventive lid depicted in FIG. 1;

FIG. 8 is a side elevational view of the inventive lid depicted in FIG. 2; and,

FIG. 9 is a side elevational view of the inventive lid depicted in FIG. 1.

The broken lines in the drawings are for illustrative purposes only and form no part of the claimed design.

1 Claim, 2 Drawing Sheets



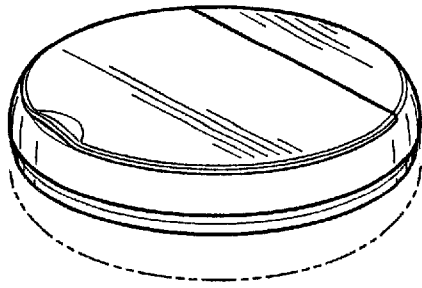


Figure 1

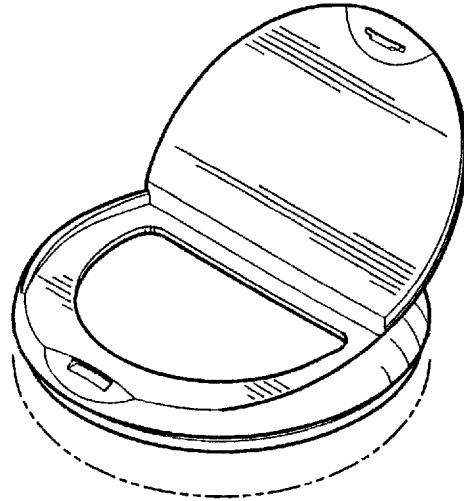


Figure 2

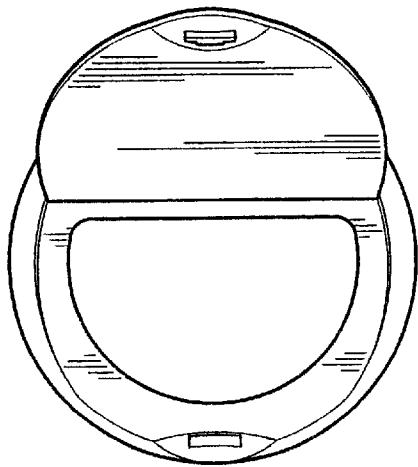


Figure 3

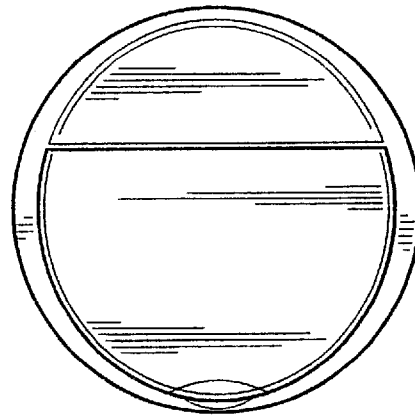


Figure 4

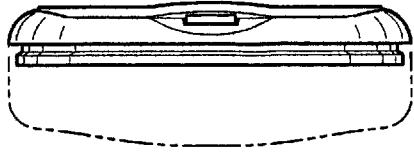


Figure 5

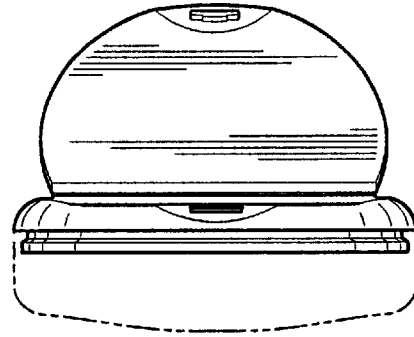


Figure 6

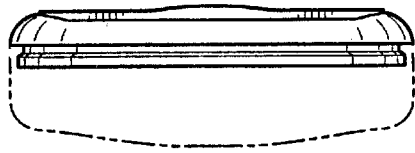


Figure 7

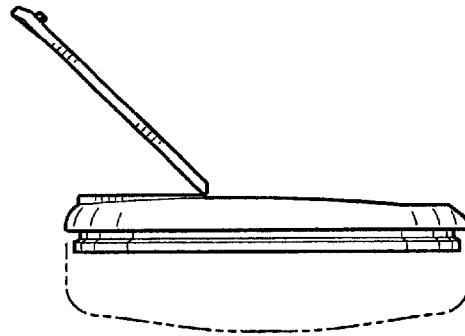


Figure 8

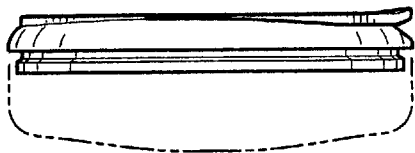


Figure 9