

[54] TAPE LAMINATING AND DISPENSING DEVICE

[75] Inventor: William R. Worrell, Hopkins, Minn.

[73] Assignee: Kroy Inc., St. Paul, Minn.

[**] Term: 14 Years

[21] Appl. No.: 363,014

[22] Filed: Mar. 29, 1982

[52] U.S. Cl. D19/69; D18/19

[58] Field of Search D8/49, 50; D18/13, 14, D18/15, 19; D19/66-69; 225/34; 156/554

[56] References Cited

U.S. PATENT DOCUMENTS

- D. 91,185 12/1933 Cavanagh D8/50
- D. 249,865 10/1978 Wright D8/49

- 3,016,174 1/1962 Perkins D19/69
- 4,113,164 9/1978 Muthenthaler D8/50
- 4,405,073 9/1983 Escalante D8/50

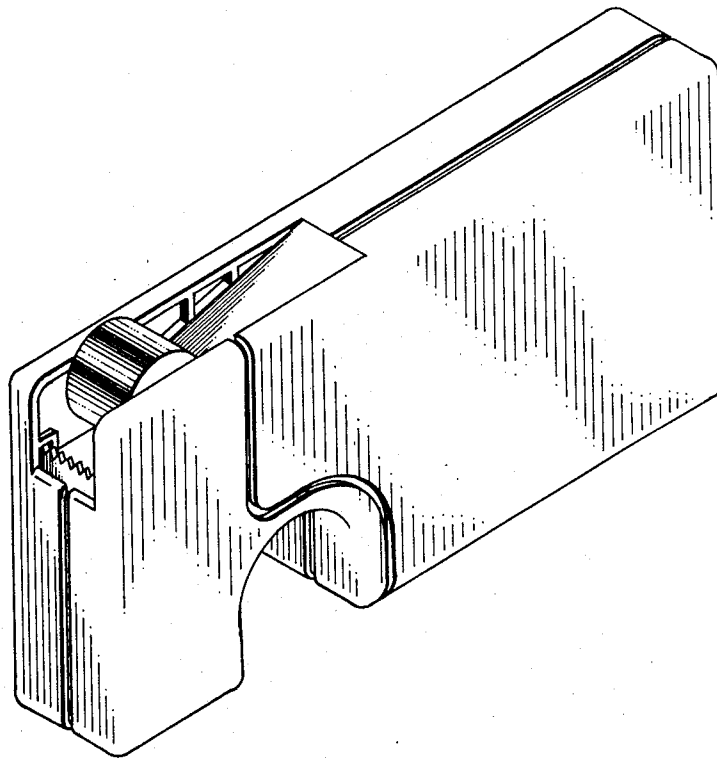
Primary Examiner—George P. Word
Attorney, Agent, or Firm—Dorsey & Whitney

[57] CLAIM

The ornamental design for a tape laminating and dispensing device, as shown.

DESCRIPTION

FIG. 1 is a perspective view of a tape laminating and dispensing device showing my new design; FIG. 2 is a right side elevational view thereof; FIG. 3 is a left side elevational view thereof; FIG. 4 is a top plan view thereof; FIG. 5 is a bottom plan view thereof; FIG. 6 is a front elevational view thereof; and FIG. 7 is a rear elevational view thereof.



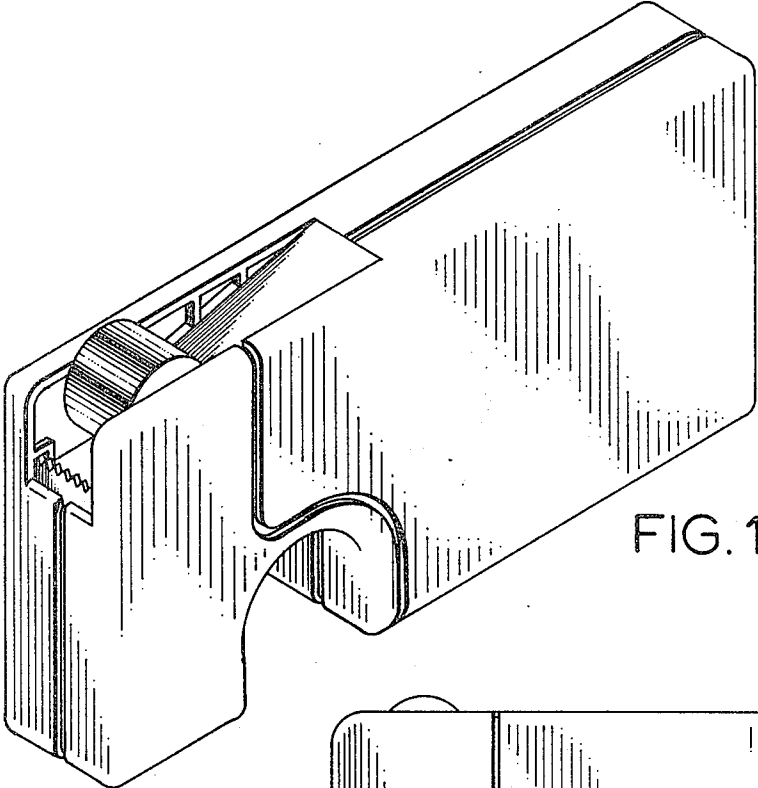


FIG. 1

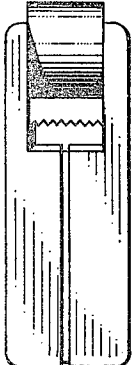


FIG. 6

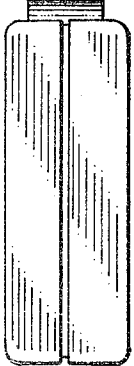


FIG. 7

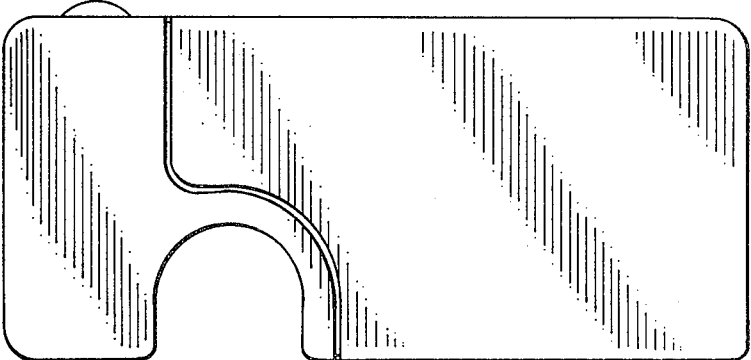


FIG. 2

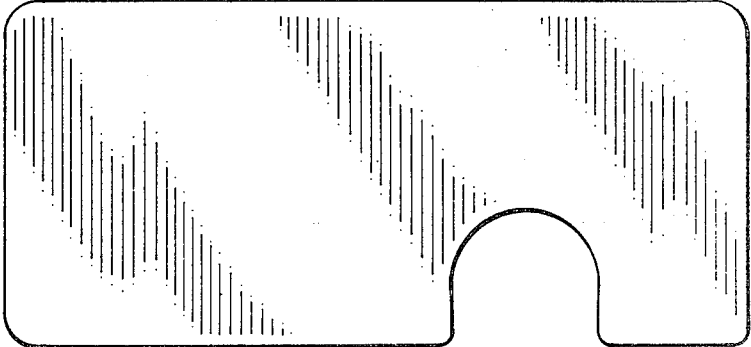


FIG. 3

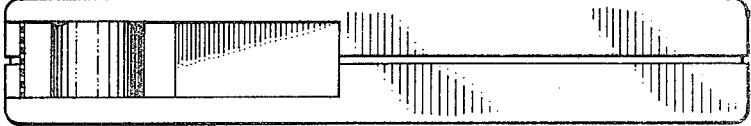


FIG. 4

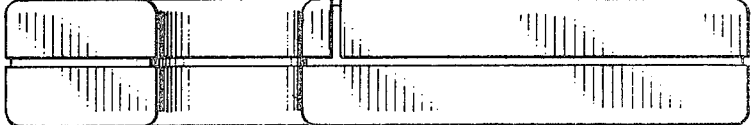


FIG. 5