



US00D421323S

United States Patent [19]

[11] Patent Number: Des. 421,323

Douglas et al.

[45] Date of Patent: ** Feb. 29, 2000

[54] HAMPER

[75] Inventors: Patrick Douglas, Minneapolis, Minn.; Jonathan Mandell, North Canton, Ohio

[73] Assignee: Rubbermaid Incorporated, Wooster, Ohio

[**] Term: 14 Years

[21] Appl. No.: 29/101,379

[22] Filed: Mar. 2, 1999

[51] LOC (6) Cl. 07-07

[52] U.S. Cl. D32/37

[58] Field of Search D32/37; D34/1, D34/5, 6, 7, 10; 220/908, 909, 910, 911, 254

[56] References Cited

U.S. PATENT DOCUMENTS

D. 147,724	10/1947	Gleitsman	D58/4
D. 181,500	11/1957	Snyder	D58/4
D. 265,261	6/1982	Gerber	D32/37
D. 274,662	7/1984	Fausel	D32/37
D. 302,067	7/1989	Yoshikawa	D34/40
D. 312,519	11/1990	Hobson	D32/37
D. 342,365	12/1993	Conaway et al.	D32/37
D. 344,167	2/1994	Hobson et al.	D32/37
D. 344,823	3/1994	Wilgus et al.	D32/37
D. 348,127	6/1994	Van Berne	D32/37
D. 352,810	11/1994	Cassel	D32/37
D. 359,824	6/1995	Provencio et al.	D34/1
D. 362,931	10/1995	Brightbill et al.	D32/37
D. 362,933	10/1995	Calmeise	D32/37
D. 384,455	9/1997	O'Neil et al.	D32/37
D. 409,806	5/1999	France	D32/37
D. 410,306	5/1999	Delouvre et al.	D34/37
3,958,715	5/1976	Capelli	220/22
4,354,543	10/1982	Bogner	150/50
5,242,074	9/1993	Conaway et al.	220/254

OTHER PUBLICATIONS

Sell sheet, Hamper; Sterilite Corporation, P.O. Box 524, Main Street, Townsend, Massachusetts. Publication date 1991.

P. 7, Hamper; Sterilite Corporation, P.O. Box 524, Main Street, Townsend, Massachusetts. Publication date 1993.

P. 36, Hampers; Tucker Housewares, 25 Tucker Drive, Leominster, Massachusetts 01453. Publication date 1991.

Catalog page, Hampers; Tucker Housewares, 25 Tucker Drive, Leominster, Massachusetts 01453. Publication date 1992.

Sell sheet, Hampers; Burlington Basket Company, Burlington, Iowa 52601. Published at least as early as Jan., 1992.

P. 12, Hampers; LaMont, P.O. Box 399, Burlington, Iowa 52601. Published at least as early as May, 1993.

Pp. 8 and 9, Hampers; Shamrock Industries, Minneapolis, Minnesota. Published at least as early as Jan., 1980.

Sell sheet; Hampers; Raja Products Co., LTD, 9502 Ditmas Avenue, Brooklyn, New York 11236. Published at least as early as Jul., 1983.

Sell sheet; Hampers; Joy of California, 148 East Virginia Street, San Jose, California 95112. Published at least as early as Jul., 1983.

P. 15, Hamper; Curver b.v., Takkebijsters 75, Postbus 6810, 4802 HV Breda, The Netherlands. Publication date 1991.

P. 2, Hampers; Rubbermaid Incorporated, 1147 Akron Road, Wooster, Ohio 44691. Publication date 1989.

P. 26, Hampers; Rubbermaid Incorporated, 1147 Akron Road, Wooster, Ohio 44691. Publication date 1990.

Primary Examiner—Susan J. Lucas

Assistant Examiner—Cynthia E. Ramirez

Attorney, Agent, or Firm—Richard B. O'Planick

[57] CLAIM

The ornamental design for a hamper, as shown and described.

DESCRIPTION

FIG. 1 is a top left front perspective view of a hamper showing our new design;

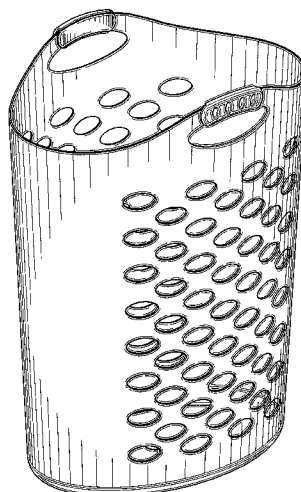
FIG. 2 is a front elevational view thereof; the rear elevational view being a mirror image;

FIG. 3 is a right side elevational view thereof; the left side elevational view being a mirror image;

FIG. 4 is a top plan view thereof; and,

FIG. 5 is a bottom plan view thereof.

1 Claim, 4 Drawing Sheets



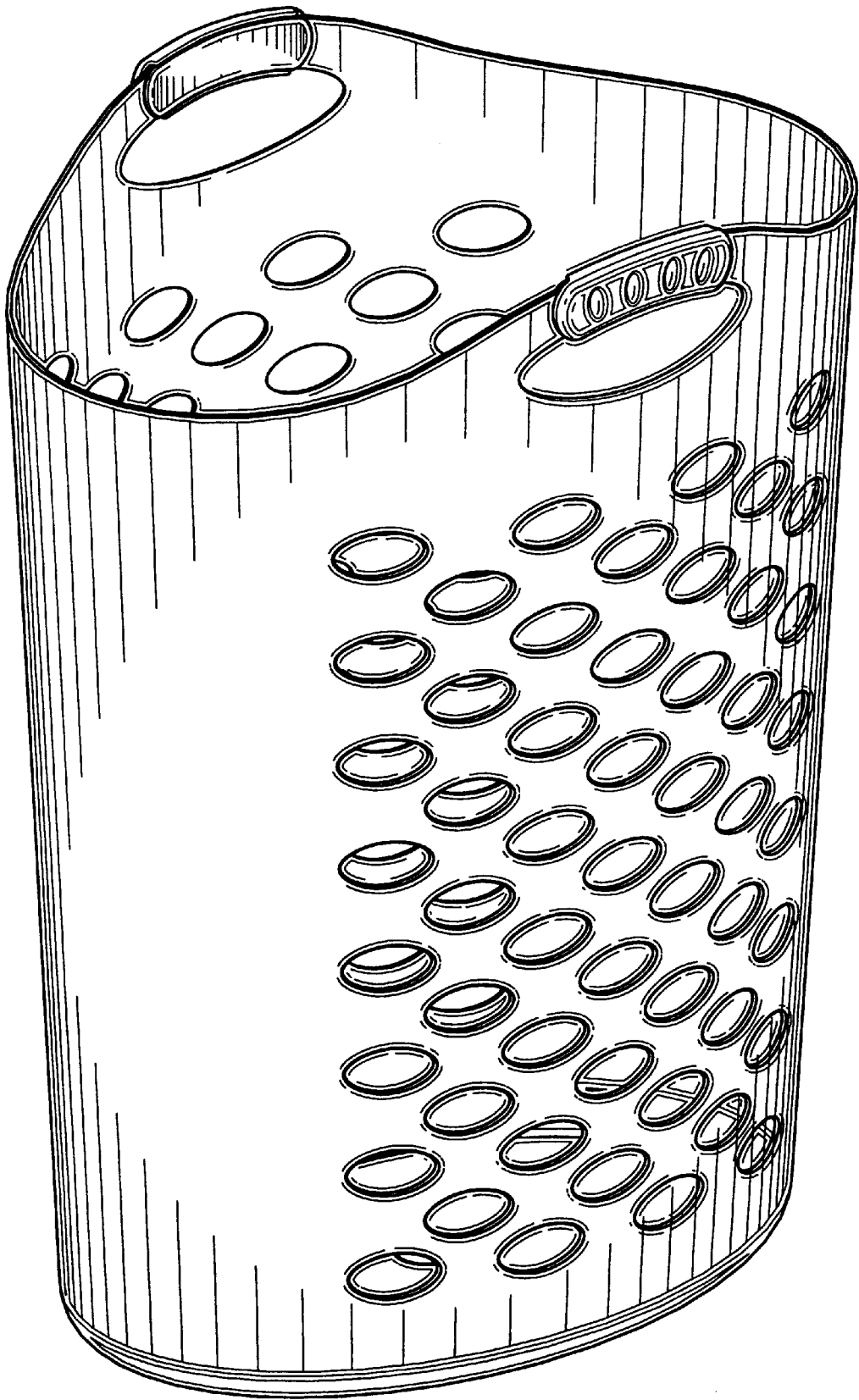


FIG. 1

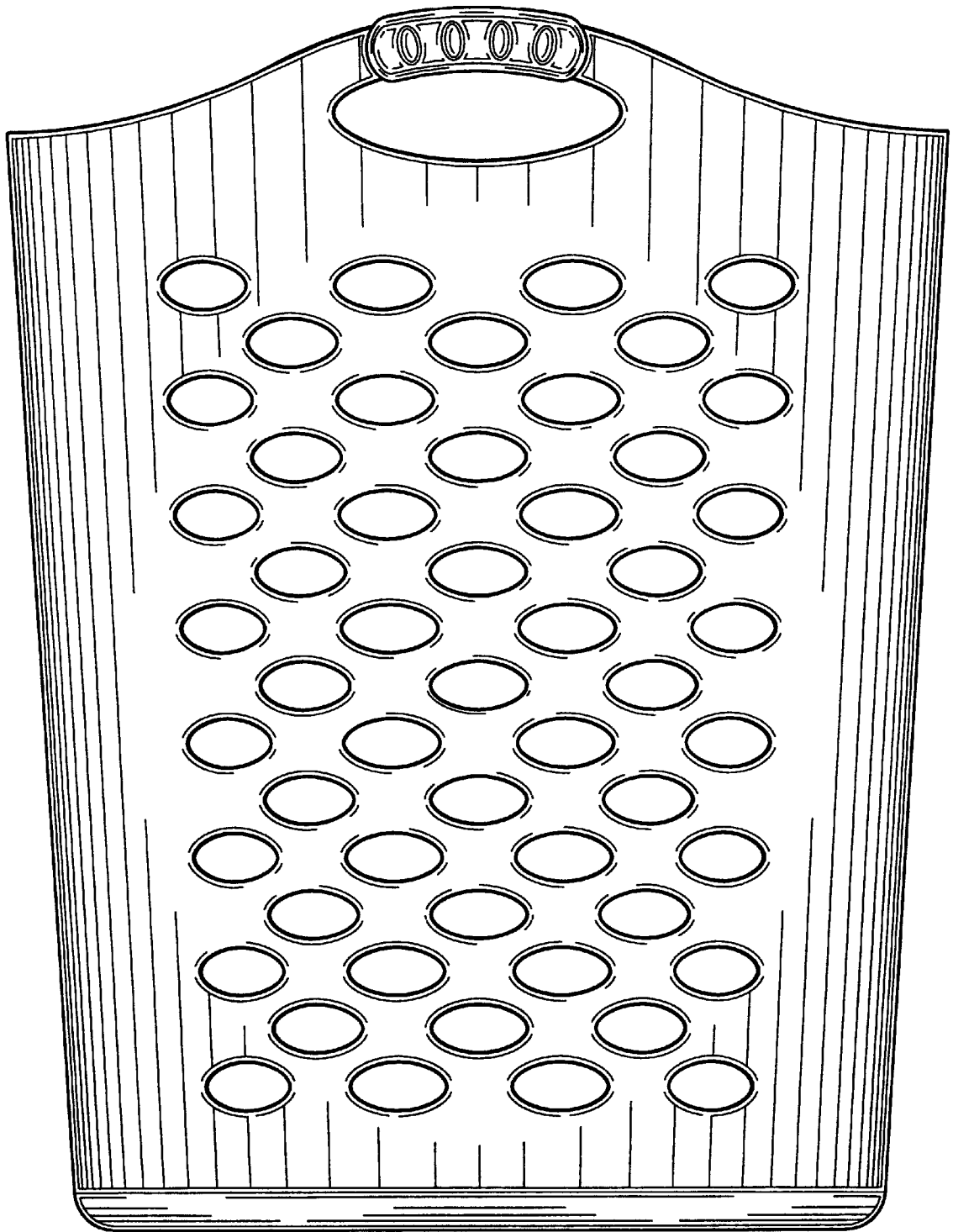


FIG. 2

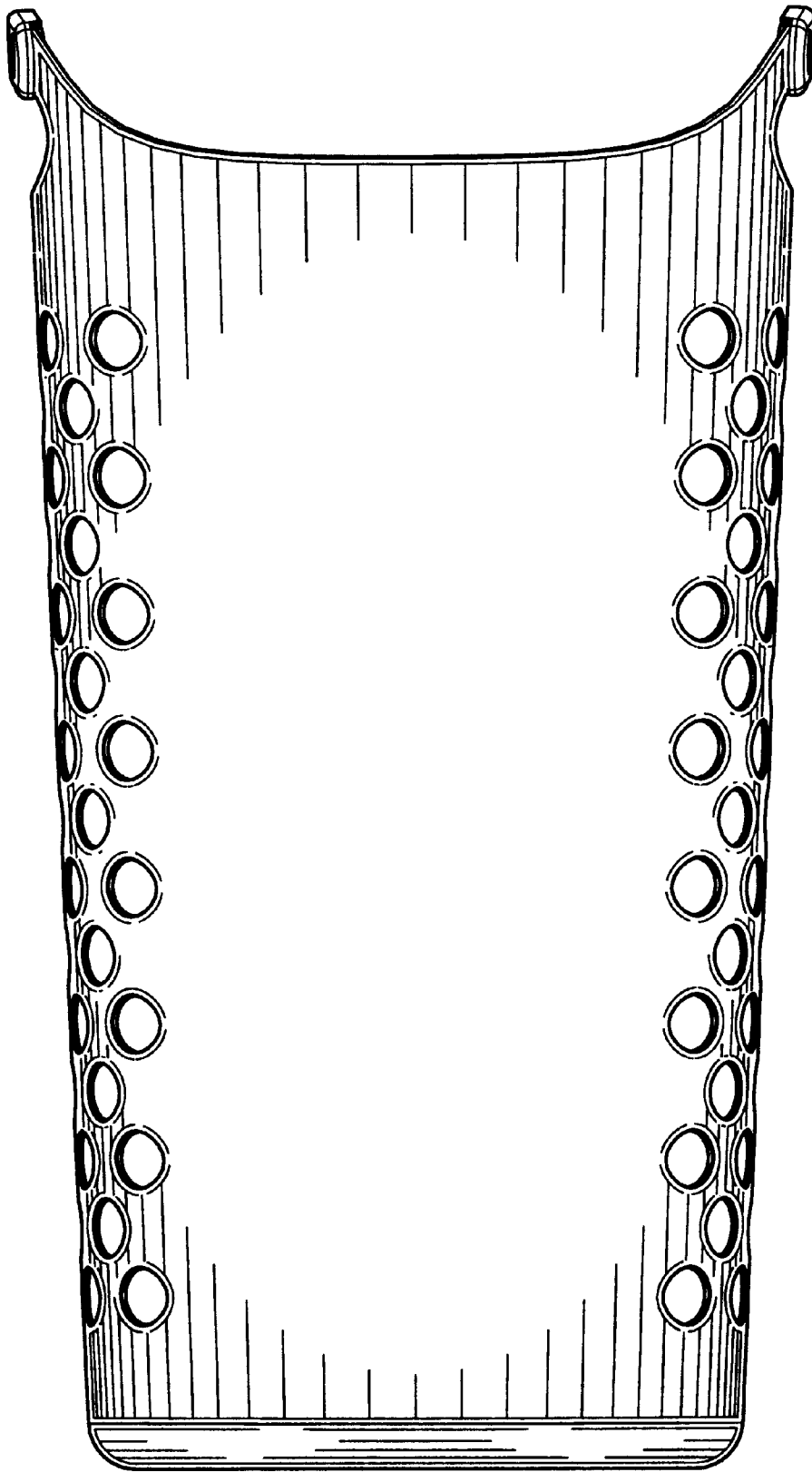


FIG. 3

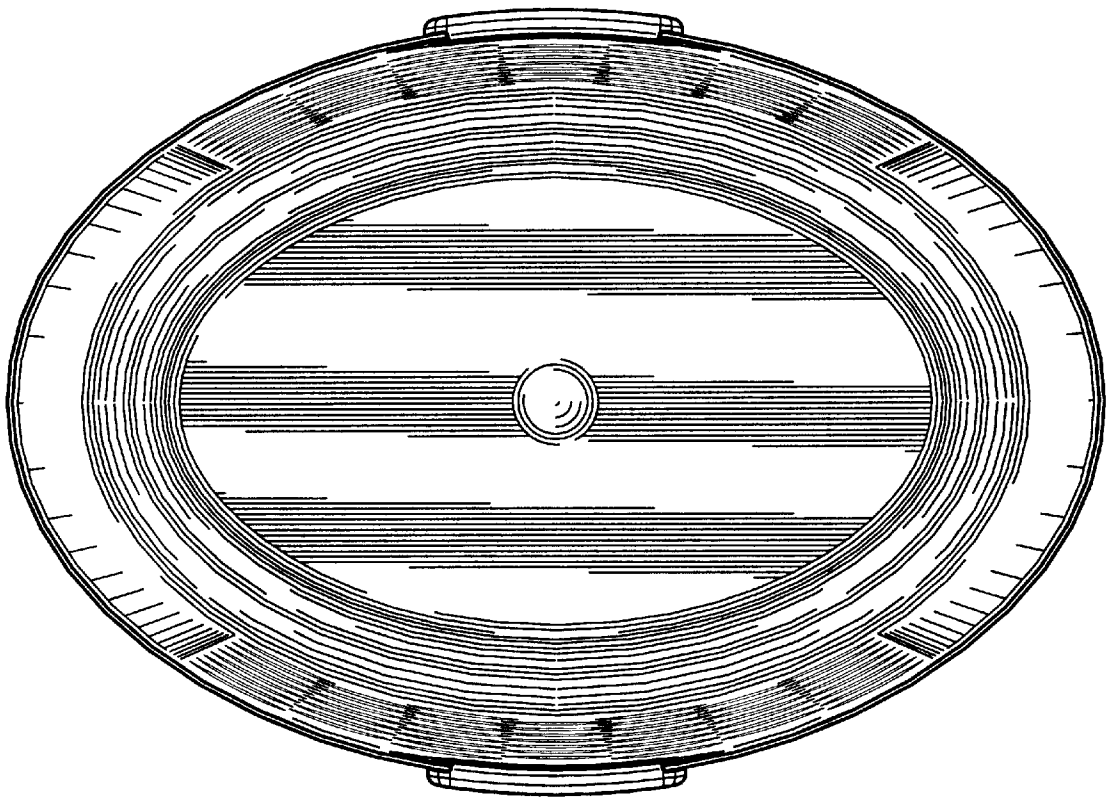


FIG. 4

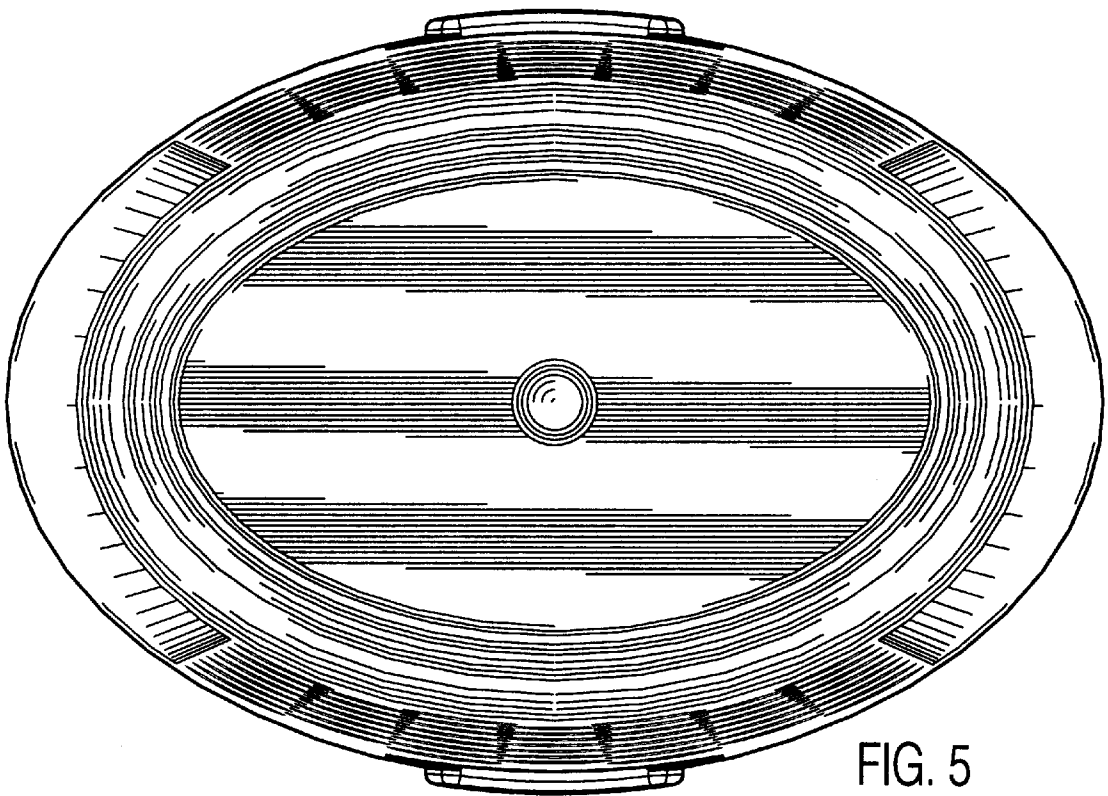


FIG. 5