



US00D423345S

United States Patent [19]
Sugarman

[11] **Patent Number: Des. 423,345**
[45] **Date of Patent: ** Apr. 25, 2000**

- [54] **BOX**
- [75] Inventor: **Louis Sugarman**, Barrington, R.I.
- [73] Assignee: **Alcraft, Inc.**, Pawtucket, R.I.
- [**] Term: **14 Years**
- [21] Appl. No.: **29/106,827**
- [22] Filed: **Jun. 21, 1999**
- [51] **LOC (6) Cl.** **09-07**
- [52] **U.S. Cl.** **D9/423; D9/420**
- [58] **Field of Search** **D9/420-424, 414,**
D9/432, 337; D3/294, 273, 295, 272, 903;
206/6.1, 5, 301, 566, 823; 220/6, 284, 213,
244, 810, 789-795, 836, 376

D. 349,240	8/1994	Booten	D9/422
D. 412,398	8/1999	Watabe	D3/294
3,401,817	9/1968	Palson	220/376 X
4,966,319	10/1990	Flemink	D9/420 X

Primary Examiner—Prabhakar Deshmukh
Attorney, Agent, or Firm—Salter & Michaelson

[57] **CLAIM**

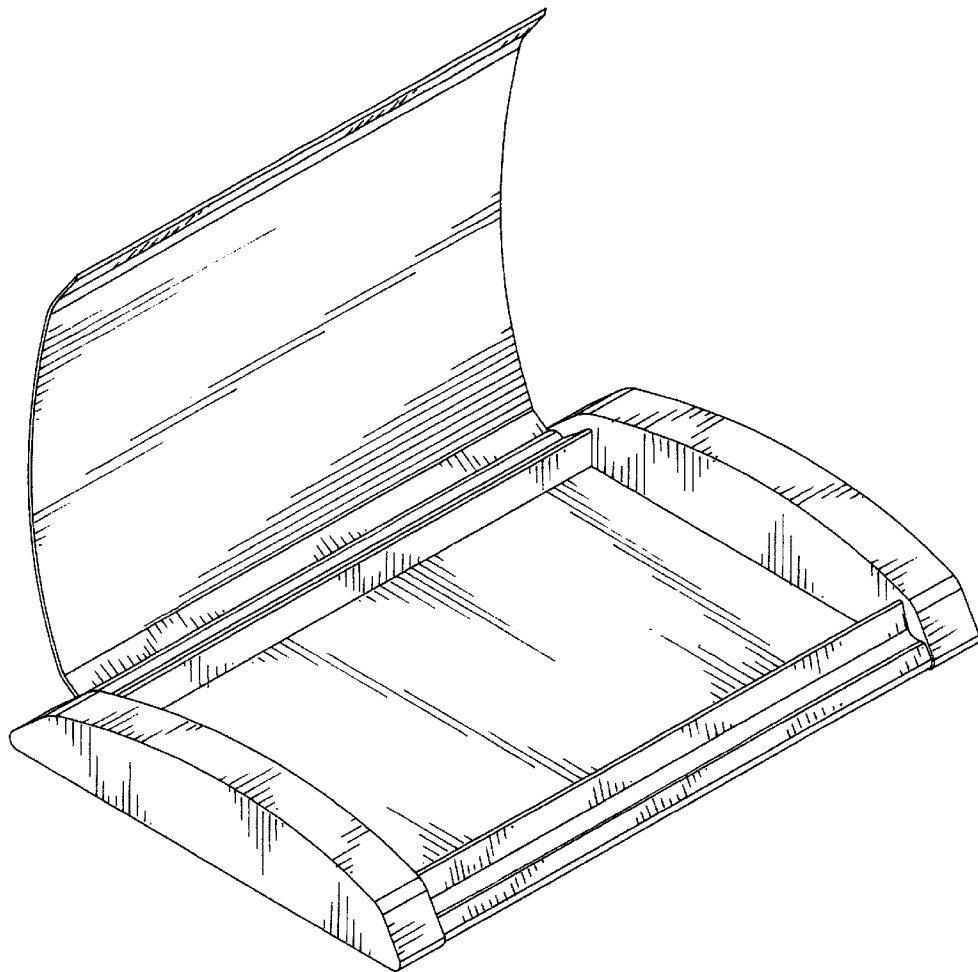
The ornamental design for a box, as shown and described.

DESCRIPTION

FIG. 1 is a perspective view showing a box embodying my new design in closed position;
FIG. 2 is a top plan view thereof;
FIG. 3 is a bottom plan view thereof;
FIG. 4 is a front elevational view thereof;
FIG. 5 is a rear elevational view thereof;
FIG. 6 is a left side view thereof;
FIG. 7 is a right side view thereof; and,
FIG. 8 is a perspective view with the cover of the box in open position.

- [56] **References Cited**
- U.S. PATENT DOCUMENTS**
- D. 98,244 1/1936 Flier D9/423
- D. 130,273 11/1941 Jensen D9/423
- D. 259,690 6/1981 Buchsteiner Nee Fetzer D9/422 X

1 Claim, 4 Drawing Sheets



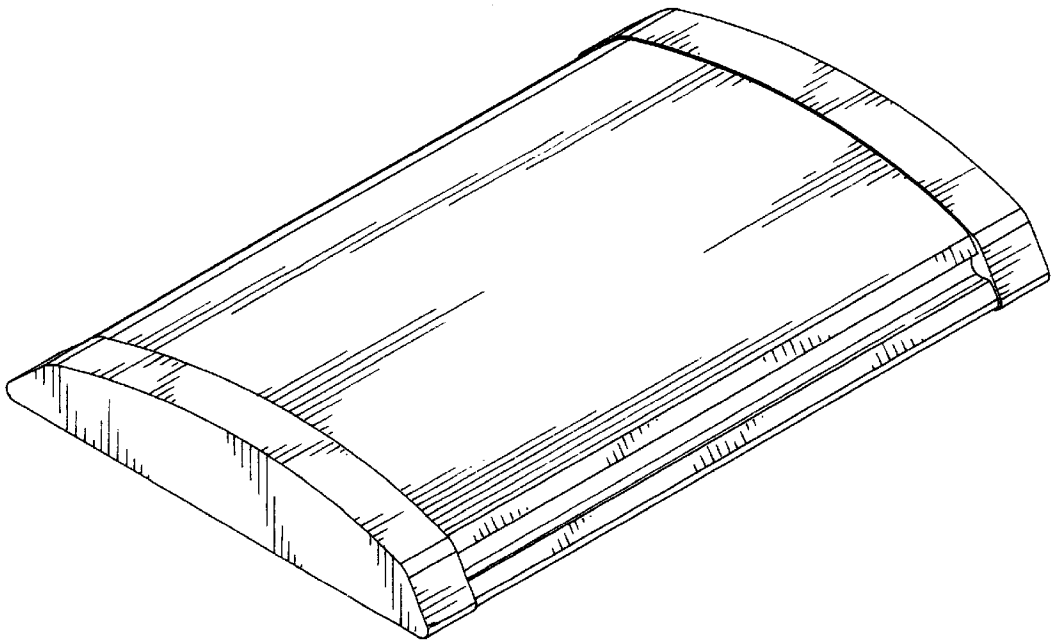


FIG. 1

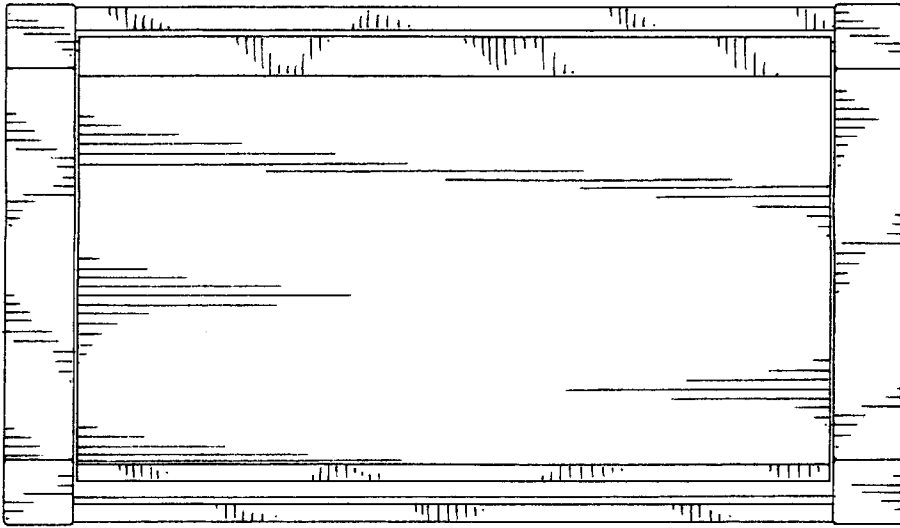


FIG. 2

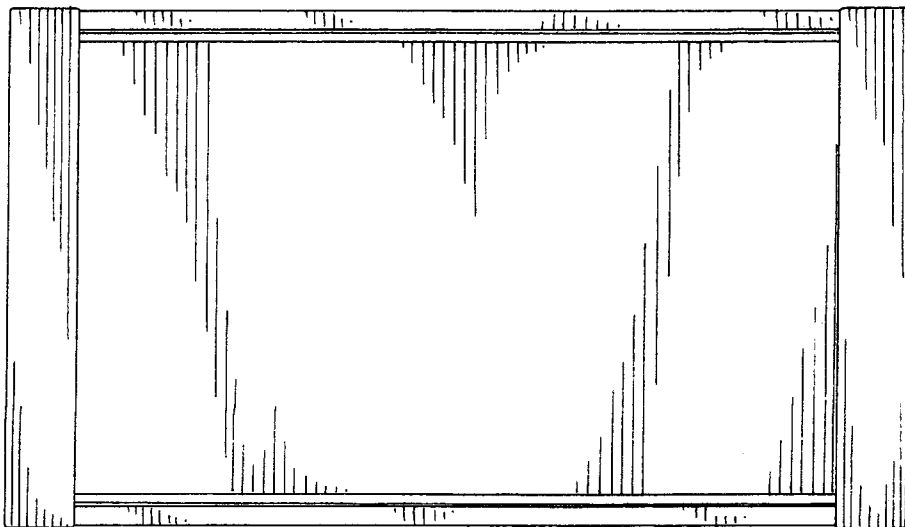


FIG. 3

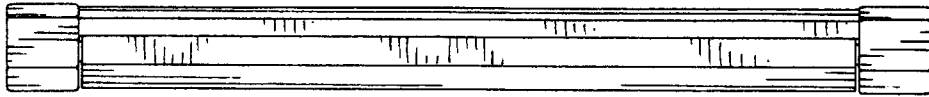


FIG. 4



FIG. 5



FIG. 6



FIG. 7

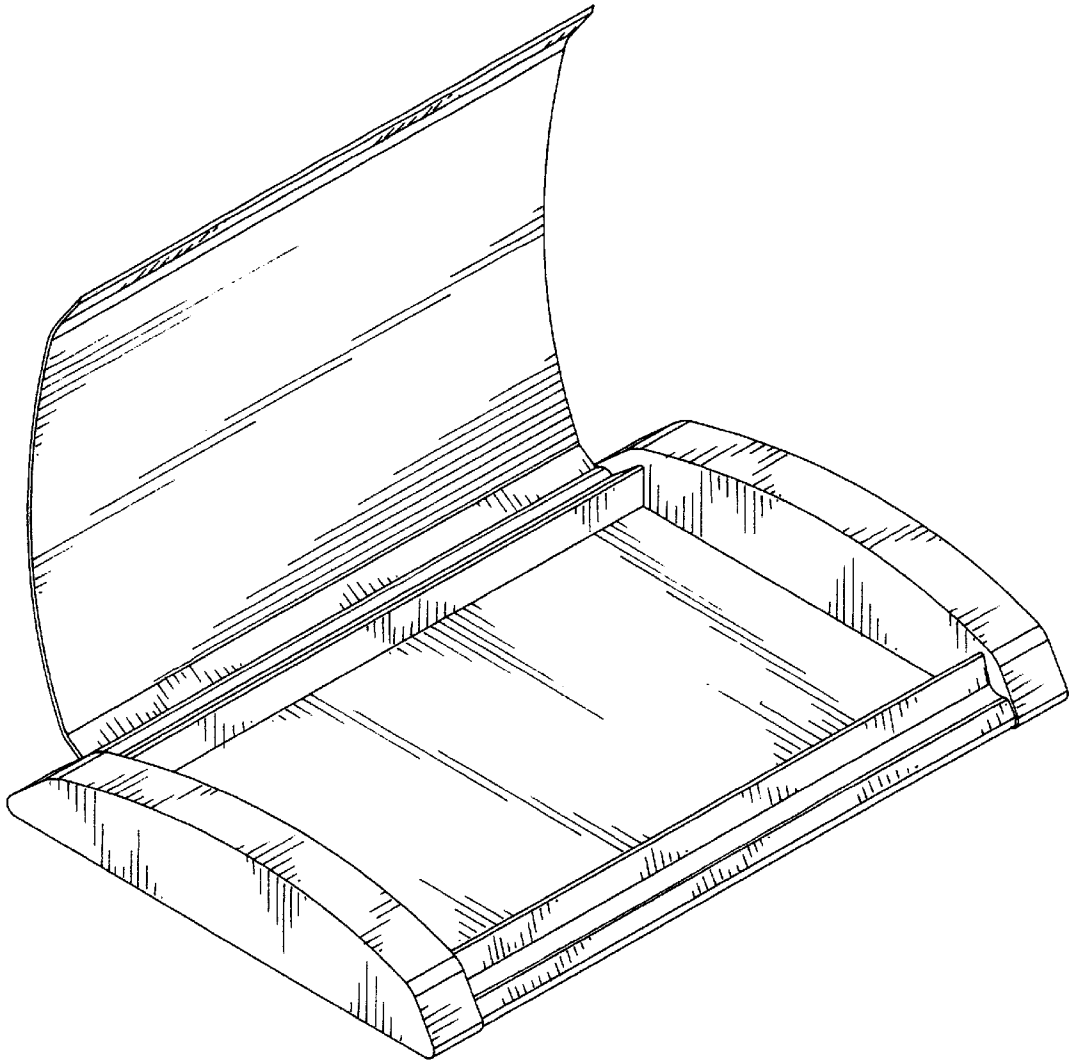


FIG. 8