



US00D425257S

United States Patent [19]

[11] Patent Number: Des. 425,257

Acker et al.

[45] Date of Patent: ** May 16, 2000

[54] COSMETIC CONTAINER

5,373,940 12/1994 Hillelson 132/318

[75] Inventors: **Lisa Acker**, Sparta, N.J.; **Miriam Aristy**, New York, N.Y.; **Jing Yi Zhu**, East Rutherford, N.J.

Primary Examiner—Raphael Barkai
Attorney, Agent, or Firm—Julie Blackburn

[73] Assignee: **Revlon Consumer Products Corporation**, New York, N.Y.

[57] CLAIM

The ornamental design for a cosmetic container, as shown and described.

[**] Term: **14 Years**

DESCRIPTION

[21] Appl. No.: **29/110,945**

FIG. 1 is a front perspective view of the cosmetic container.
FIG. 2 is a side view of the cosmetic container.
FIG. 3 is a front view of the cosmetic container.
FIG. 4 is a rear view of the cosmetic container.
FIG. 5 is a top plan view of the cosmetic container.
FIG. 6 is a bottom plan view of the cosmetic container.
FIG. 7 is an exploded view of the cosmetic container, showing the lid removed.

[22] Filed: **Sep. 17, 1999**

[51] **LOC (7) Cl.** **28-03**

[52] **U.S. Cl.** **D28/85; D28/89**

[58] **Field of Search** D28/7, 76-91.1;
D9/503, 504, 529, 549, 557, 558; 132/317,
318, 320; 206/385; 220/DIG. 26; 401/88,
89, 98

FIG. 9 is a top plan view of the cosmetic container with the lid removed as shown in FIG. 7;
FIG. 10 is a bottom plan view of the lid;
FIG. 11 is a bottom plan view of the interior element shown in FIG. 8; and,
FIG. 12 is a top plan view of the cosmetic container with the lid and interior element removed.
Elements of the design have been shown separately in FIGS. 8-12 for ease of illustration only.
FIG. 8 is an exploded perspective view of the cosmetic container with the lid omitted for ease of illustration;

[56] References Cited

U.S. PATENT DOCUMENTS

D. 180,110	4/1957	Slater	D28/89
D. 255,054	5/1980	Kingsford	D28/89
D. 277,324	1/1985	Davey	D28/89
D. 303,303	9/1989	Cardia	D28/88
D. 372,195	7/1996	Gerhart et al.	D9/529
D. 392,423	3/1998	Lerolle	D28/89
5,257,704	11/1993	Gutt	206/385

1 Claim, 3 Drawing Sheets

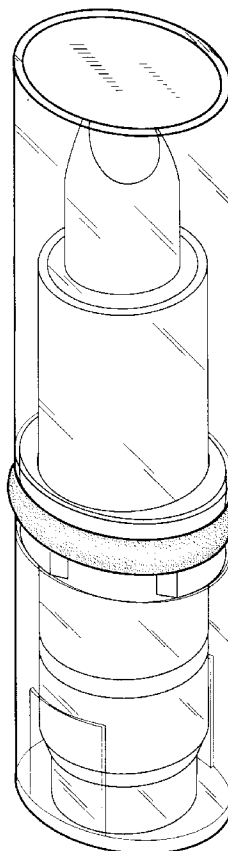


FIG. 1

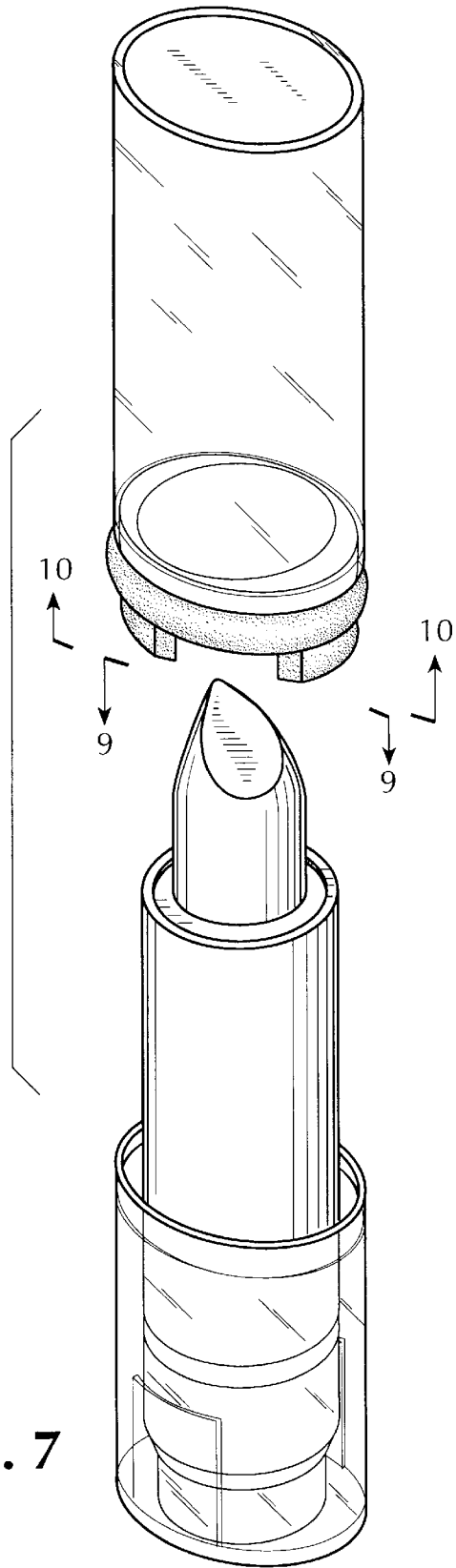
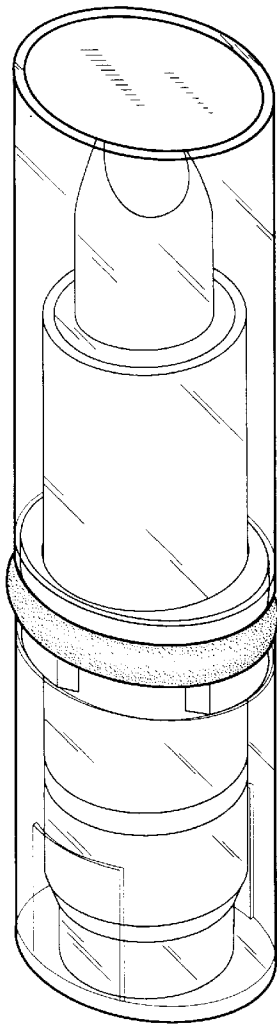


FIG. 7

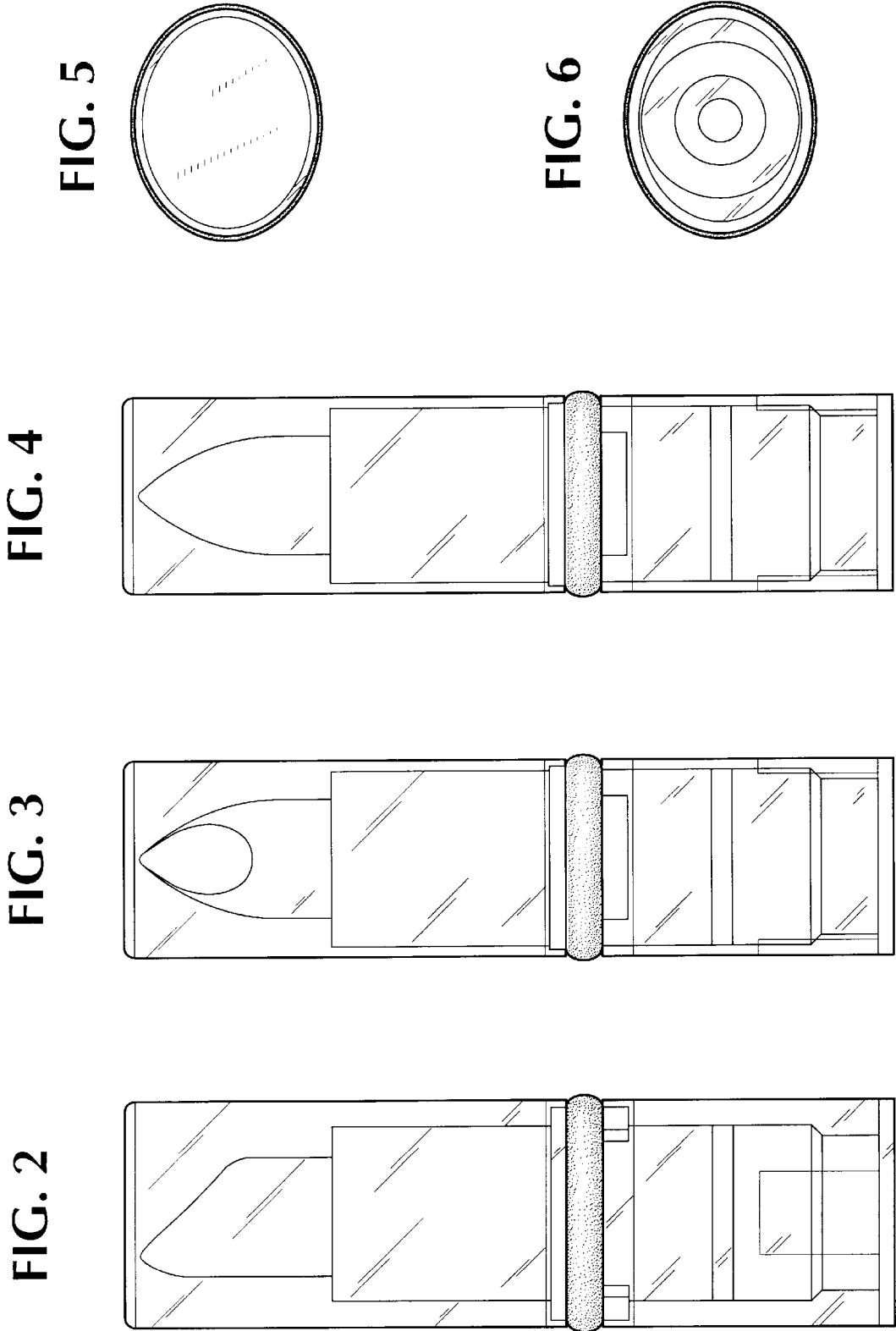


FIG. 8

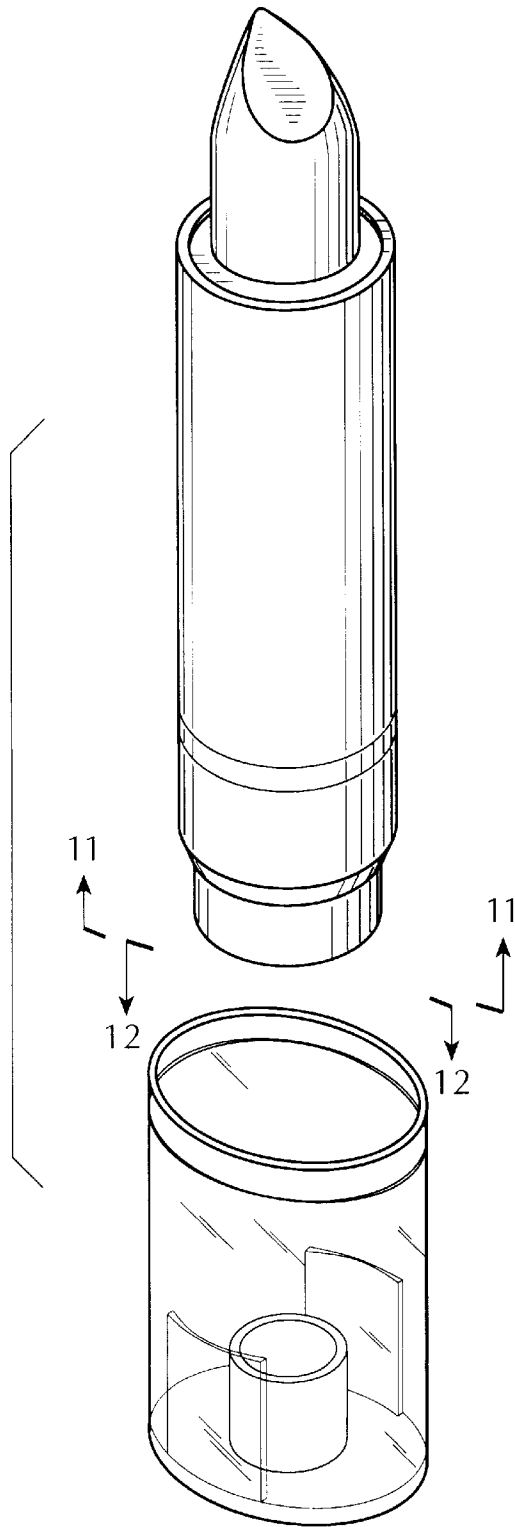


FIG. 9

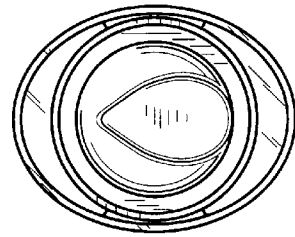


FIG. 10

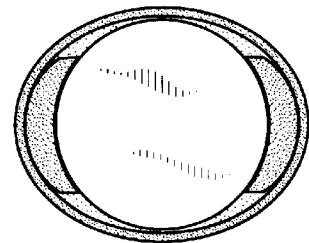


FIG. 11

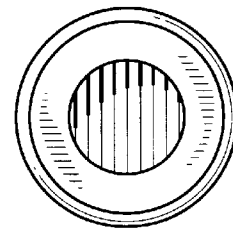


FIG. 12

