



US00D873043S

(12) **United States Design Patent**  
**Su**

(10) **Patent No.:** **US D873,043 S**

(45) **Date of Patent:** **\*\* Jan. 21, 2020**

(54) **OFFICE CHAIR**

(71) Applicant: **Chih-Cheng Su**, Dongguan (CN)

(72) Inventor: **Chih-Cheng Su**, Dongguan (CN)

(73) Assignee: **DONGGUAN KENTEC OFFICE SEATING CO., LTD.**, Dongguan (CN)

(\*\*) Term: **15 Years**

(21) Appl. No.: **29/630,017**

(22) Filed: **Dec. 18, 2017**

(51) **LOC (12) Cl.** ..... **06-01**

(52) **U.S. Cl.**

USPC ..... **D6/366**

(58) **Field of Classification Search**

USPC ..... D6/334–336, 364, 365, 366, 374, 375,  
D6/379, 380, 716, 716.1, 716.2, 716.4  
CPC ..... A47C 7/002; A47C 7/004; A47C 7/02;  
A47C 7/18; A47C 7/24; A47C 7/282;  
A47C 7/285; A47C 7/40; A47C 7/46;  
A47C 7/54

See application file for complete search history.

(56) **References Cited**

**U.S. PATENT DOCUMENTS**

D534,384 S \* 1/2007 Su ..... D6/366  
D559,573 S \* 1/2008 Igarashi ..... D6/366

D573,817 S *	7/2008	Su	.....	D6/366
D670,927 S *	11/2012	Hurford	.....	D6/366
D688,483 S *	8/2013	Aratani	.....	D6/366
D724,367 S *	3/2015	Sander	.....	D6/716
D763,587 S *	8/2016	Neil	.....	D6/366
D792,120 S *	7/2017	Webb	.....	D6/366
D798,092 S *	9/2017	Pan	.....	D6/366
D801,741 S *	11/2017	Zhu	.....	D6/716
D802,315 S *	11/2017	Meda	.....	D6/366
D823,626 S *	7/2018	Chen	.....	D6/716.4
D831,991 S *	10/2018	Meda	.....	D6/366

\* cited by examiner

*Primary Examiner* — Mimosa De

(57) **CLAIM**

The ornamental design for an office chair, as shown.

**DESCRIPTION**

FIG. 1 is a perspective view of an office chair showing my new design;  
FIG. 2 is a front elevational view thereof;  
FIG. 3 is a rear elevational view thereof;  
FIG. 4 is a left side elevational view thereof;  
FIG. 5 is a right side elevational view thereof;  
FIG. 6 is a top plan view thereof;  
FIG. 7 is a bottom plan view thereof; and,  
FIG. 8 is another perspective view thereof.

**1 Claim, 8 Drawing Sheets**

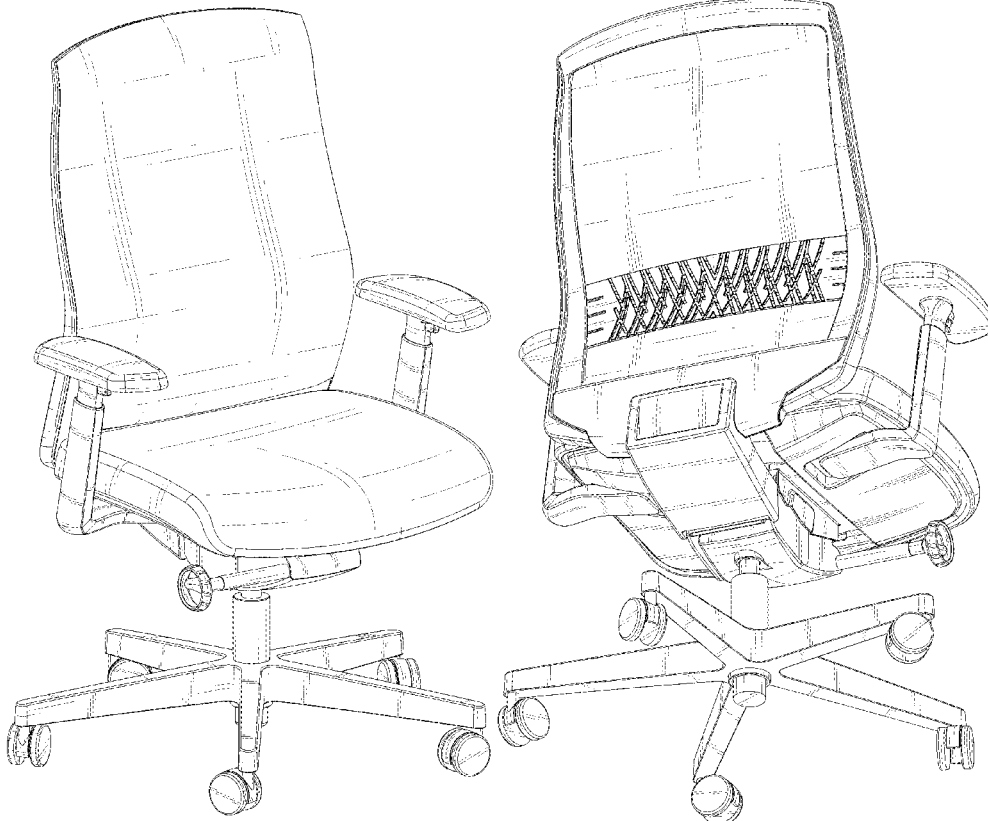




FIG. 1

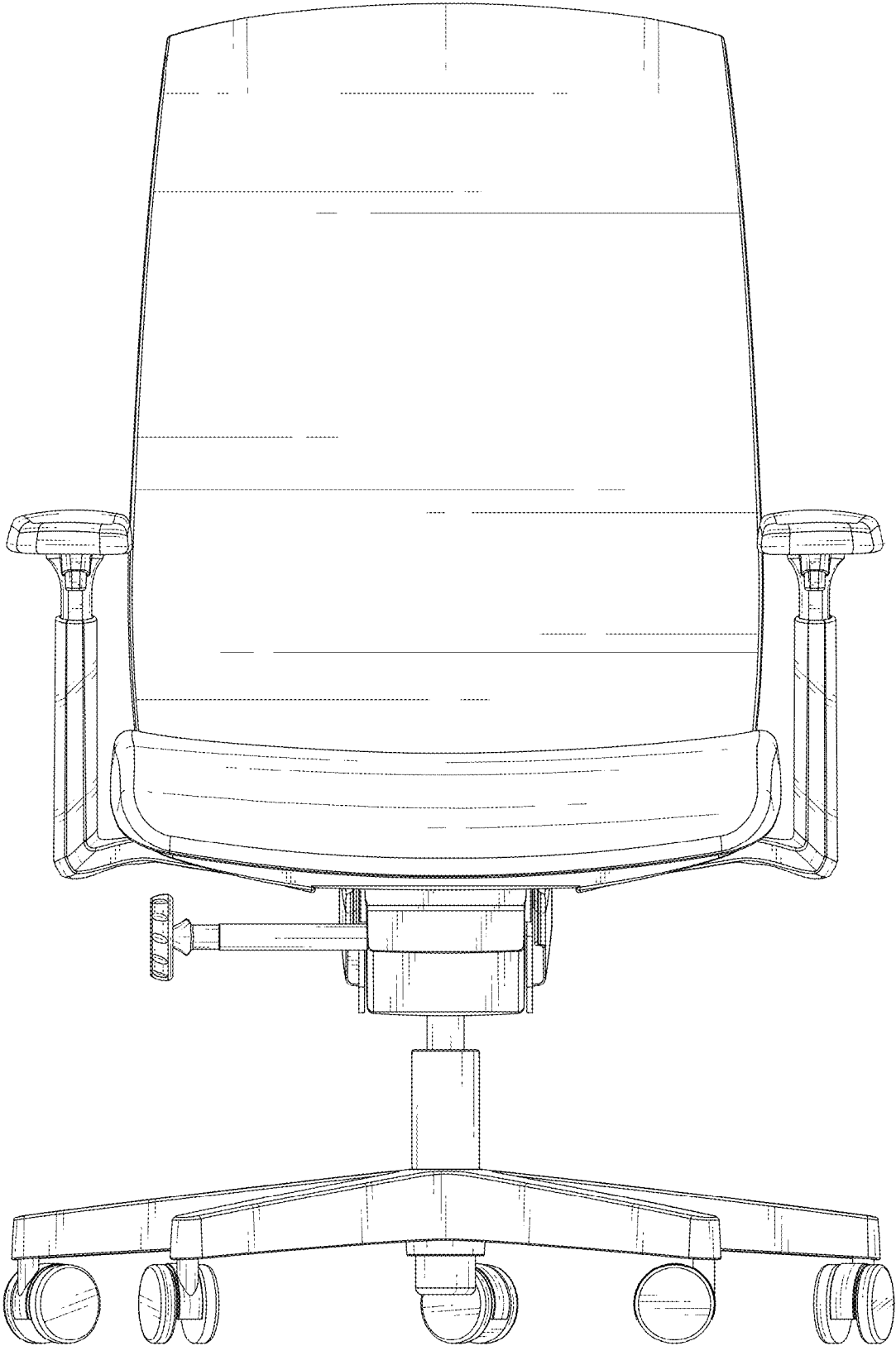


FIG. 2

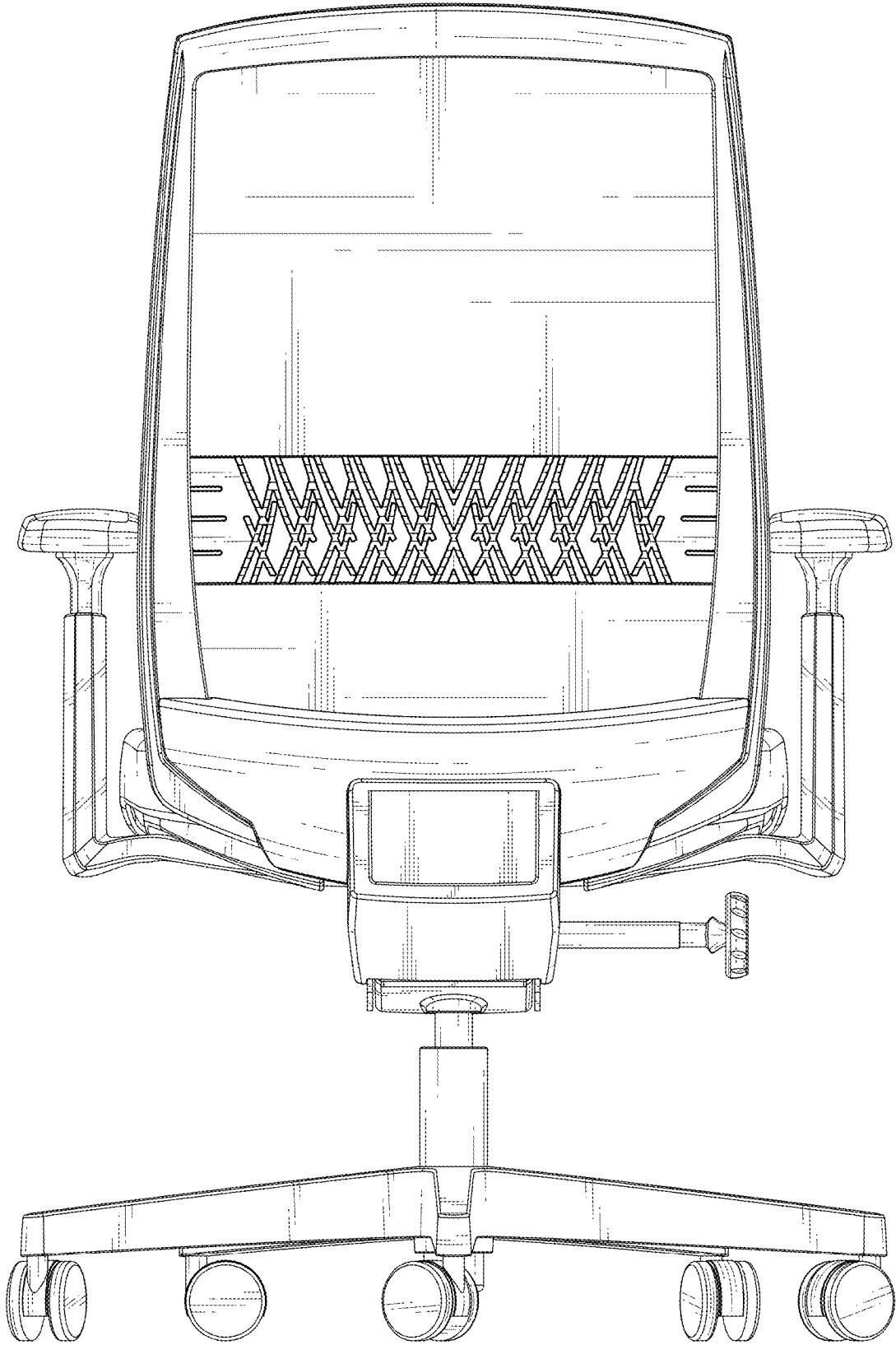


FIG. 3

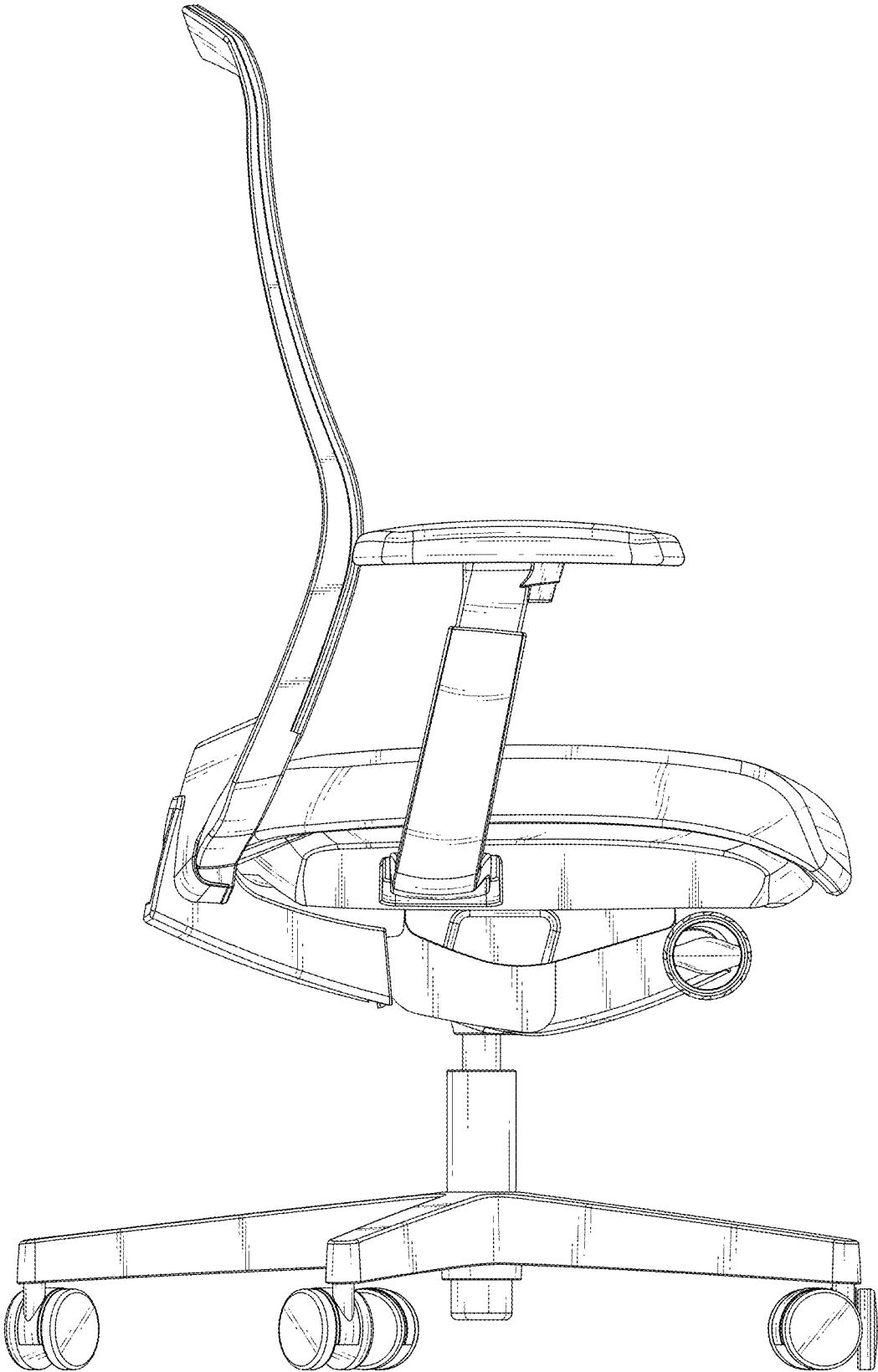


FIG. 4

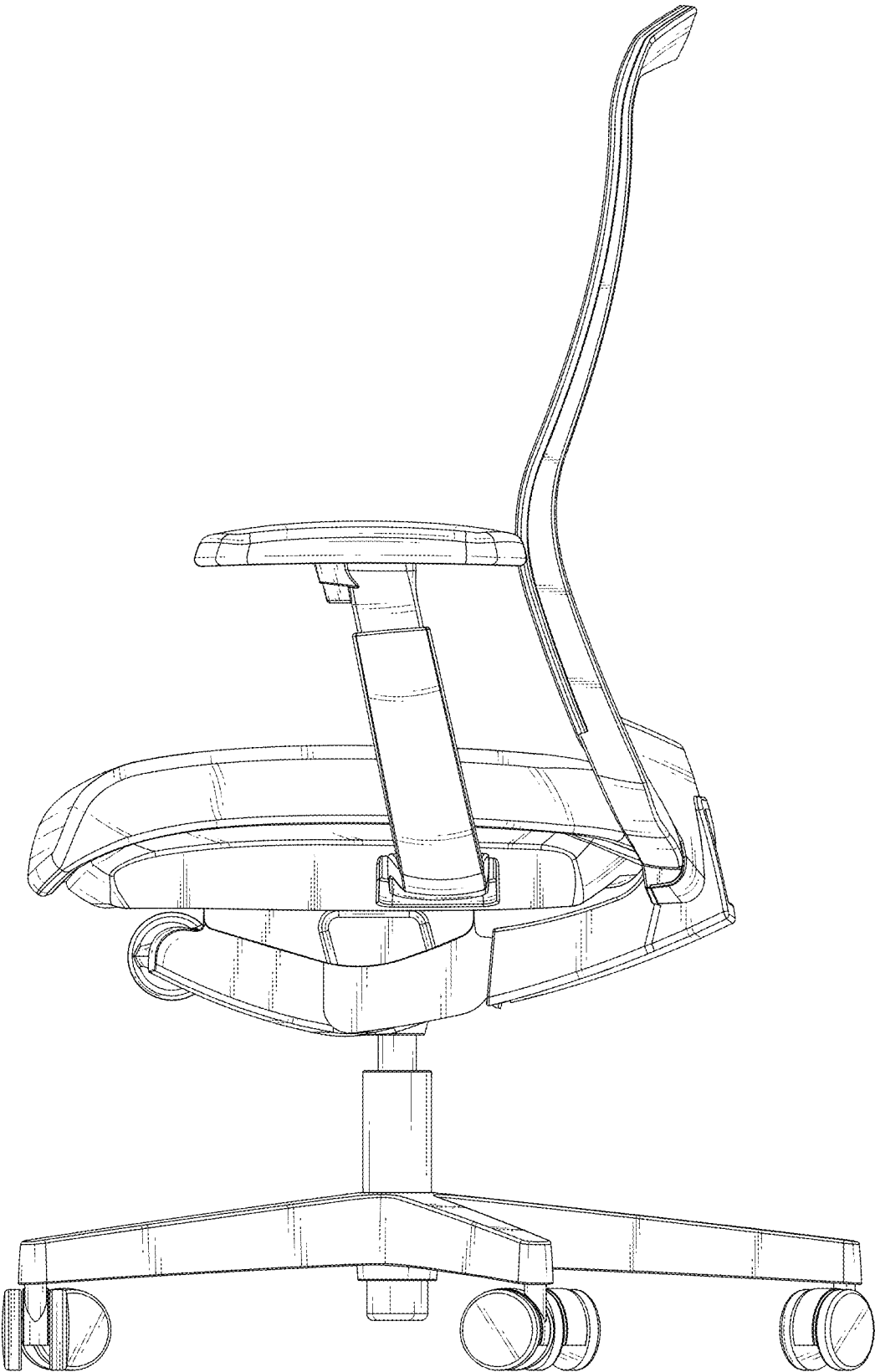


FIG. 5

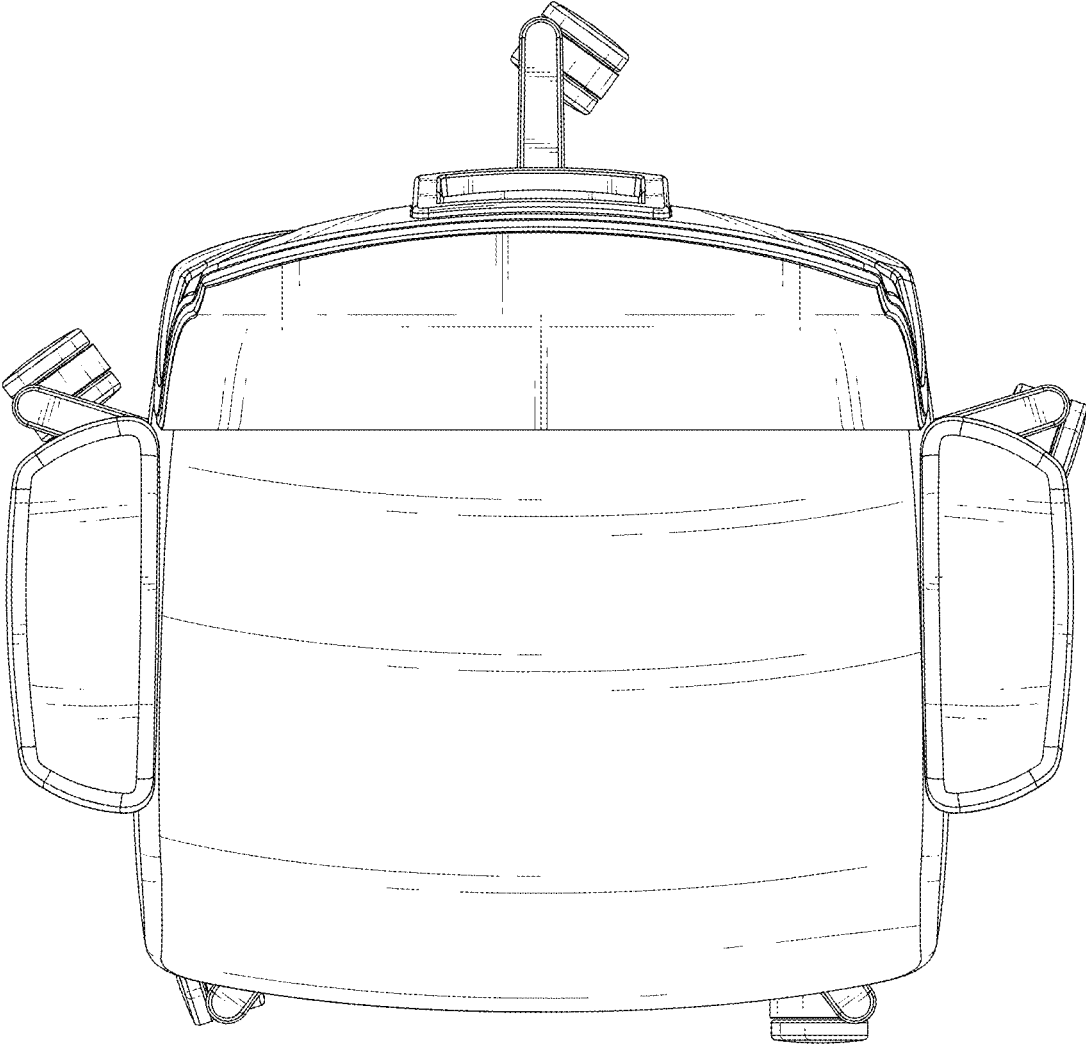


FIG. 6

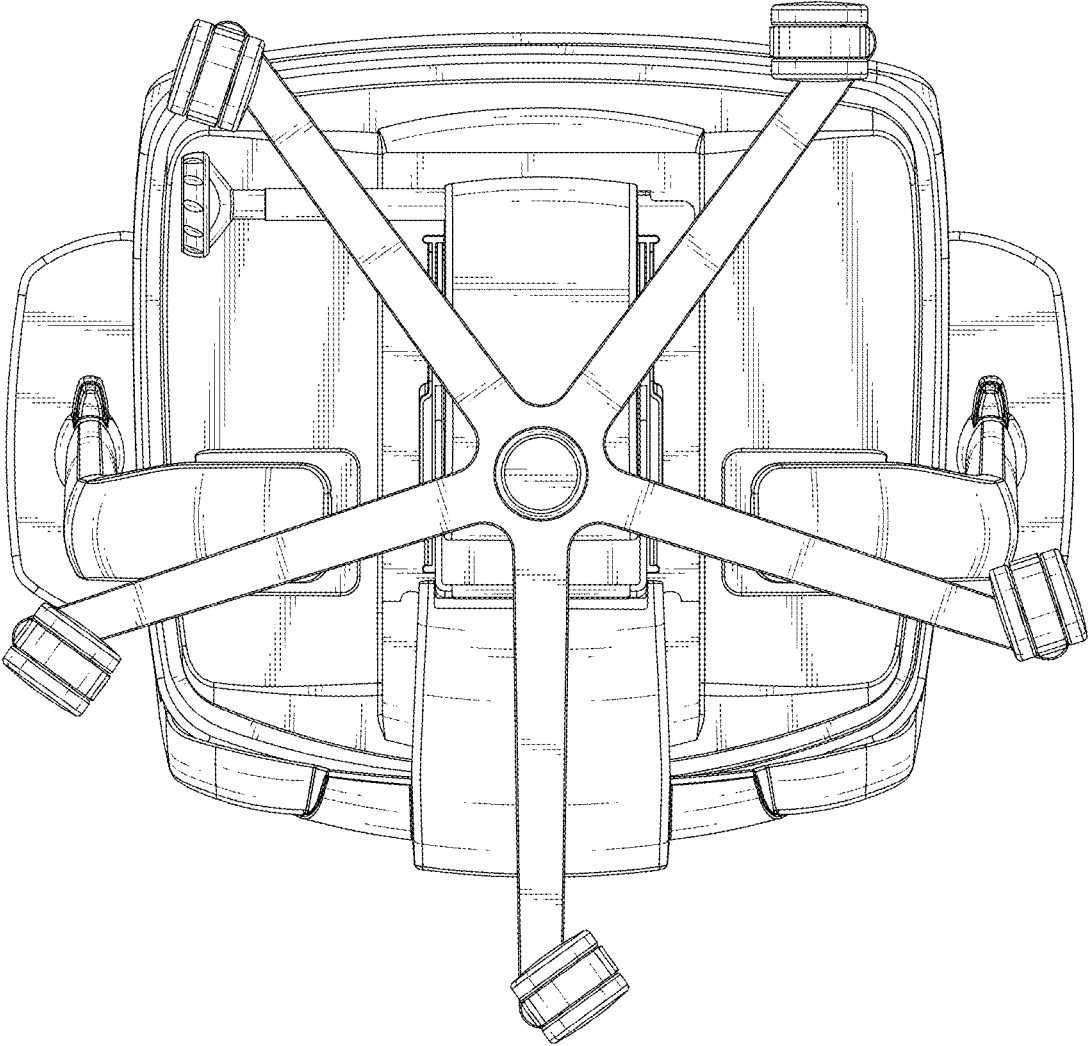


FIG. 7



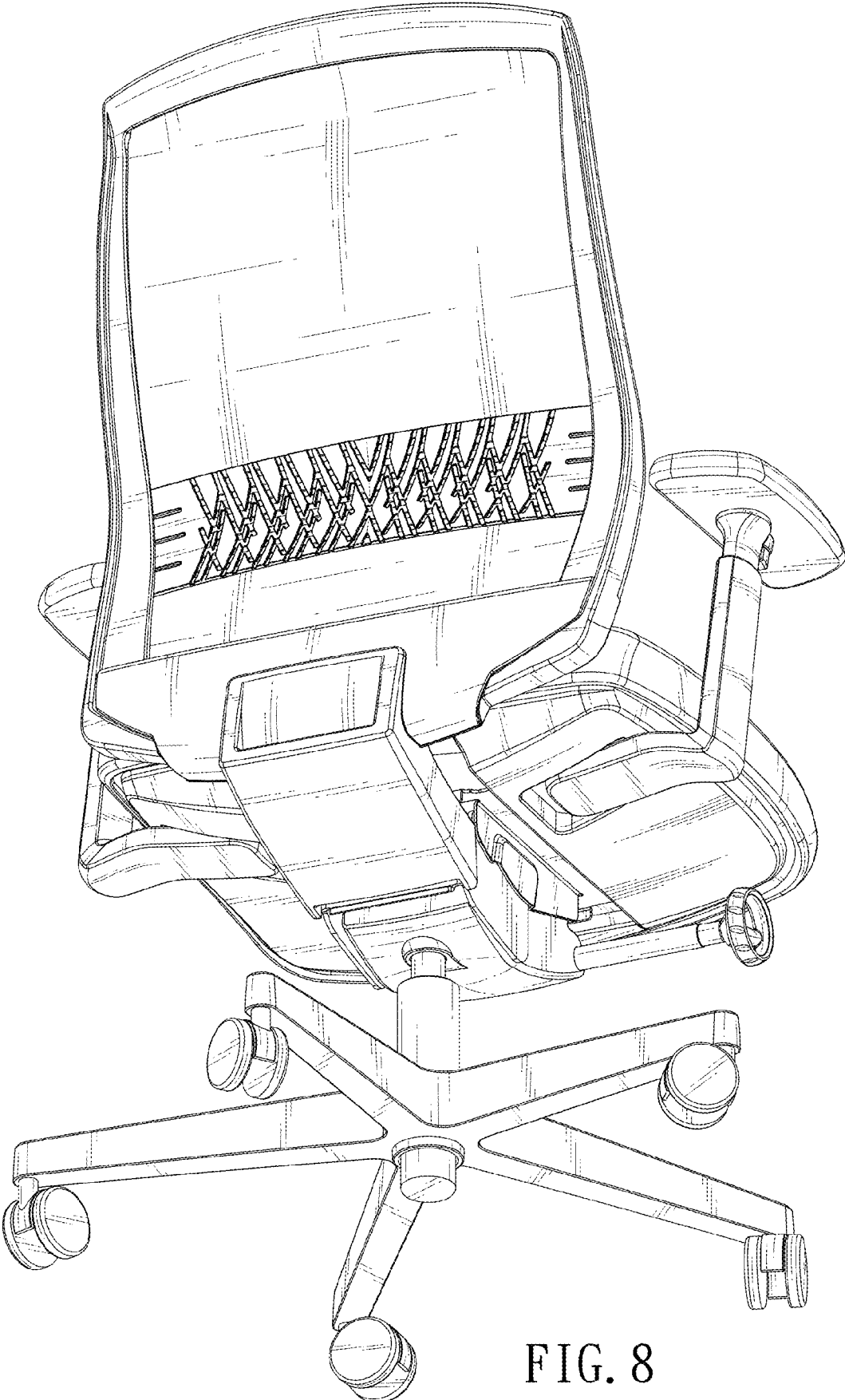


FIG. 8