



US0D1043606S

(12) **United States Design Patent**
Zhang

(10) **Patent No.:** **US D1,043,606 S**

(45) **Date of Patent:** **** Sep. 24, 2024**

- (54) **CAMERA AND MONITOR SET**
- (71) Applicant: **Feng Zhang**, Xiamen (CN)
- (72) Inventor: **Feng Zhang**, Xiamen (CN)
- (73) Assignee: **Feng Zhang**, Xiamen (CN)
- (**) Term: **15 Years**

D679,274 S * 4/2013 Canizares D14/341
 D737,698 S * 9/2015 Dispenza D16/203
 D763,220 S * 8/2016 Deng D14/159

(Continued)

FOREIGN PATENT DOCUMENTS

CN 306934367 * 11/2021

OTHER PUBLICATIONS

Indoor Security Camera 2K, posted Jul. 29, 2022 [online], [retrieved Feb. 7, 2024]. Retrieved from internet, <https://www.amazon.com/dp/B0BC9CC5RB?th=1> (Year: 2022).*

(Continued)

Primary Examiner — Marie D. Fast Horse
Assistant Examiner — Josiah D. Parsons
 (74) *Attorney, Agent, or Firm* — Nitin Kaushik

(57) **CLAIM**

The ornamental design for a camera and monitor set, as shown and described.

DESCRIPTION

FIG. 1 is a front perspective view of a camera and monitor set, showing my new design;
 FIG. 2 is a rear perspective view thereof;
 FIG. 3 is a front view thereof;
 FIG. 4 is a rear view thereof;
 FIG. 5 is a left side view thereof, shown in an offset configuration for ease of illustration;
 FIG. 6 is a right side view thereof, shown in another offset configuration for ease of illustration;
 FIG. 7 is a top view of the camera and monitor set seen in FIG. 1; and,
 FIG. 8 is a bottom view thereof.
 The broken lines in the drawings illustrate the portions of the camera and monitor set, which form no part of the claimed design.

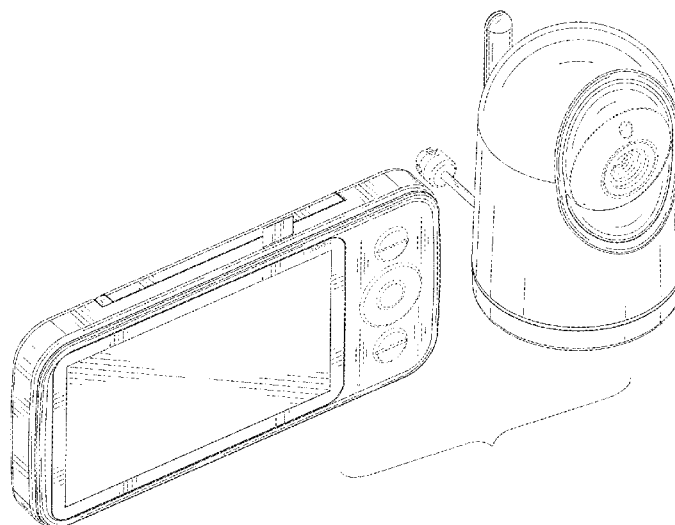
1 Claim, 8 Drawing Sheets

- (21) Appl. No.: **29/869,432**
- (22) Filed: **Dec. 30, 2022**
- (51) **LOC (14) Cl.** **14-03**
- (52) **U.S. Cl.**
USPC **D14/159**; D16/203
- (58) **Field of Classification Search**
USPC D14/336, 341, 342, 343, 371, 374, 389,
D14/138 R, 138 AA, 138 AB, 340, 346,
D14/347, 378, 379, 380, 381, 388, 390,
D14/159, 126, 129, 130; D21/324, 329,
D21/330, 331, 333; D10/104.1, 104.2,
D10/106.6, 106.95, 121, 103; D24/185,
D24/186; D16/203, 202, 208
CPC G06F 1/1681; G06F 1/1613; G06F 1/1615;
G06F 1/1626; G06F 1/1652; H04M
1/0268; H04N 7/181; H04N 7/183; H04N
7/18; G08B 21/02; G08B 21/0208
See application file for complete search history.

(56) **References Cited**

U.S. PATENT DOCUMENTS

D552,650 S * 10/2007 Yamakawa D16/203
 D562,870 S * 2/2008 Komatsu D16/203
 D579,932 S * 11/2008 Huang D14/346
 D609,732 S * 2/2010 Frank D16/203
 D617,792 S * 6/2010 Andre D14/341
 D624,071 S * 9/2010 Dan D14/341
 D626,984 S * 11/2010 Miyaji D16/202
 D638,395 S * 5/2011 Finnegan D14/203.3
 D648,233 S * 11/2011 Lenz D10/65
 D675,584 S * 2/2013 Sharp D14/129
 D677,181 S * 3/2013 Lenz D10/70



(56)

References Cited

U.S. PATENT DOCUMENTS

D789,905 S * 6/2017 Liu D14/159
 D840,965 S * 2/2019 Ke D16/203
 D849,094 S * 5/2019 Gan D16/203
 D861,631 S * 10/2019 Gan D14/159
 D861,762 S * 10/2019 Gan D16/203
 D864,147 S * 10/2019 Munger D14/159
 D868,020 S * 11/2019 Deng D14/159
 D881,154 S * 4/2020 Guo D14/159
 D897,983 S * 10/2020 Ravat D14/159
 D920,142 S * 5/2021 Xu D14/399
 D921,085 S * 6/2021 Li D16/203
 D936,029 S * 11/2021 Zhang D14/159
 11,252,309 B1 * 2/2022 Zhang H04N 23/531
 D944,755 S * 3/2022 Liu D14/159
 D946,763 S * 3/2022 Ubbesen D24/186
 D949,816 S * 4/2022 Guo D14/159
 D967,885 S * 10/2022 Huang D16/202
 D983,766 S * 4/2023 Liang D14/159
 D989,733 S * 6/2023 Liu D14/159
 D999,752 S * 9/2023 Dai D14/159

D1,002,571 S * 10/2023 Deng D14/159
 D1,003,968 S * 11/2023 Liu D16/203
 D1,004,565 S * 11/2023 Deng D14/159
 D1,013,014 S * 1/2024 Lam D16/203

OTHER PUBLICATIONS

Mubview 5G WiFi Indoor Security Camera, posted Dec. 15, 2023 [online], [retrieved Feb. 7, 2024]. Retrieved from internet, <https://www.amazon.com/dp/B0CH37CLQW> (Year: 2023).
 GNCC Pet Camera, posted Sep. 27, 2021 [online], [retrieved Feb. 7, 2024]. Retrieved from internet, <https://www.amazon.com/dp/B09HT434VC?th=1> (Year: 2021).
 Momcozy Video Baby Monitor, posted Sep. 23, 2022 [online], [retrieved Feb. 7, 2024]. Retrieved from internet, <https://www.amazon.com/dp/B0BG83KWQT> (Year: 2022).
 Bonoch 7 Inch Baby Monitor with Camera, posted Oct. 30, 2023 [online], [retrieved Feb. 7, 2024]. Retrieved from internet, <https://www.amazon.de/-/en/Monitor-Double-Sided-Function-Temperature-Lullabies/dp/B0CFY3D86P?th=1> (Year: 2023).

* cited by examiner

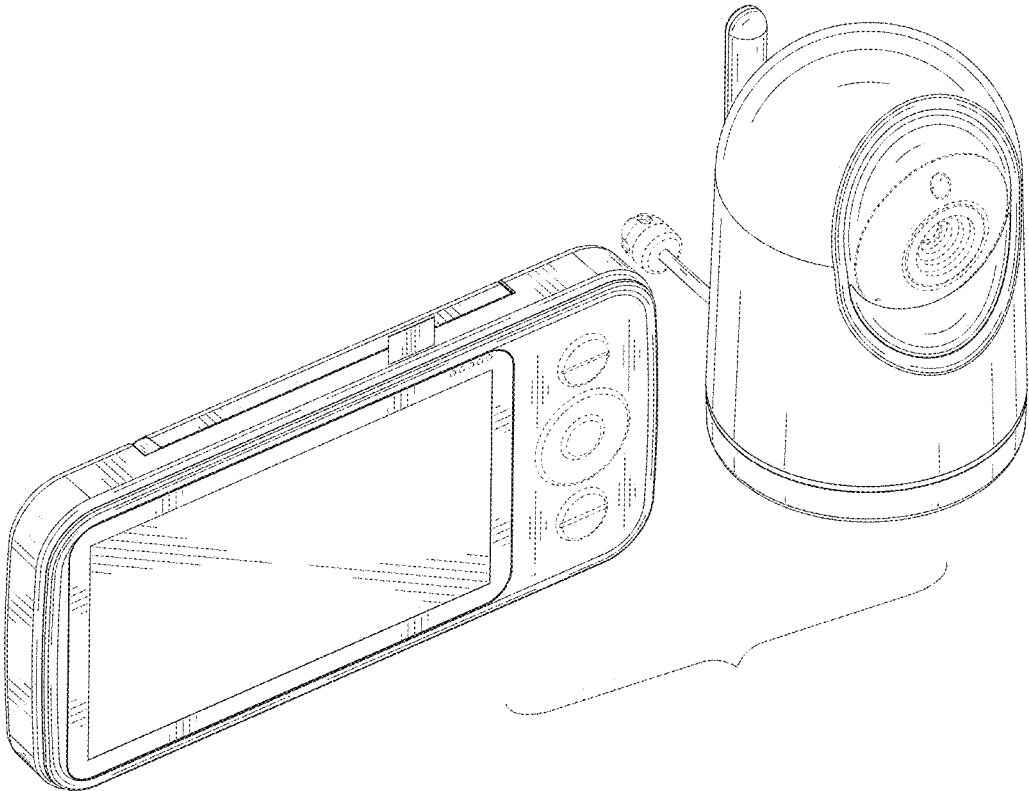


FIG.1

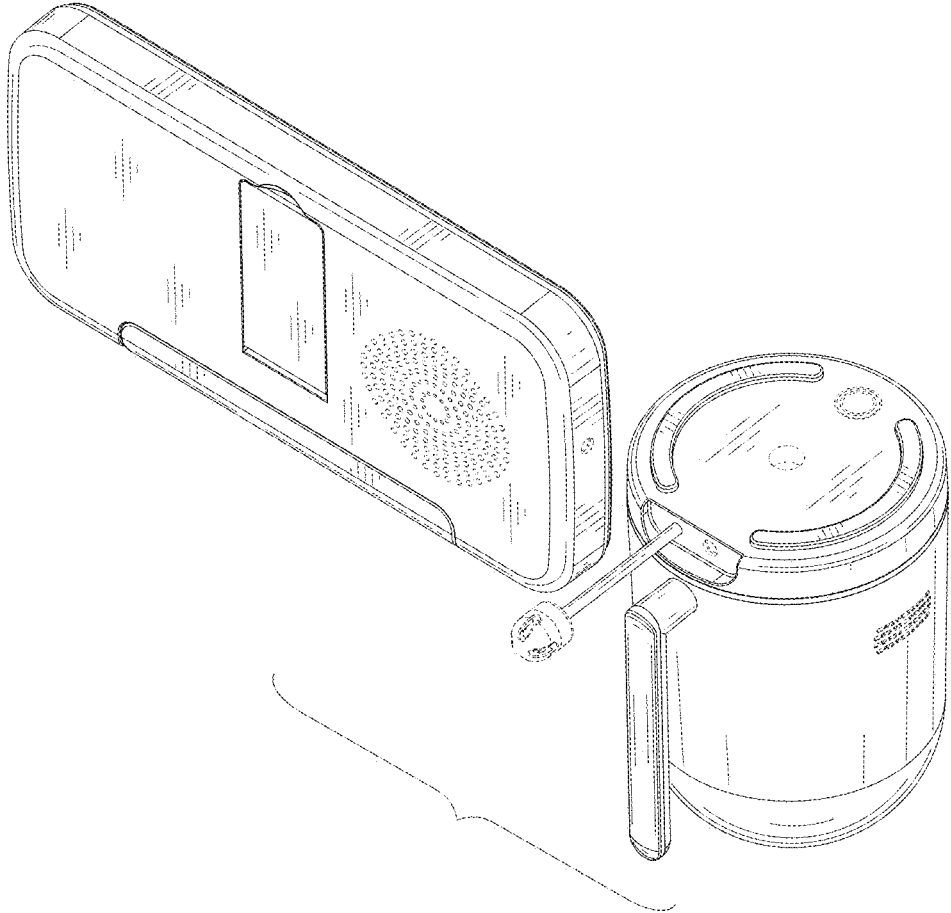


FIG.2

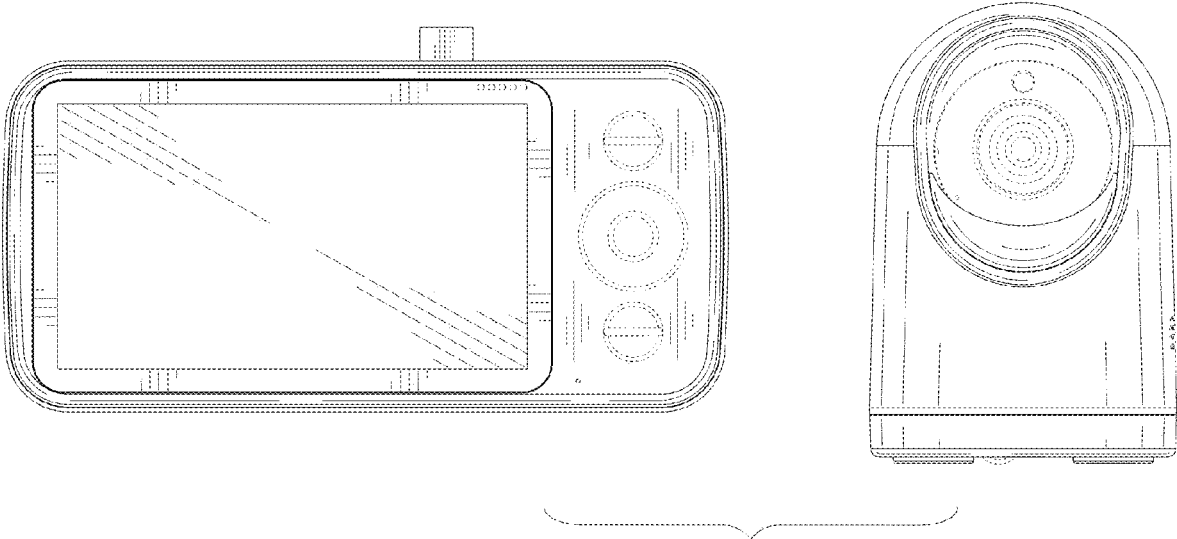


FIG.3

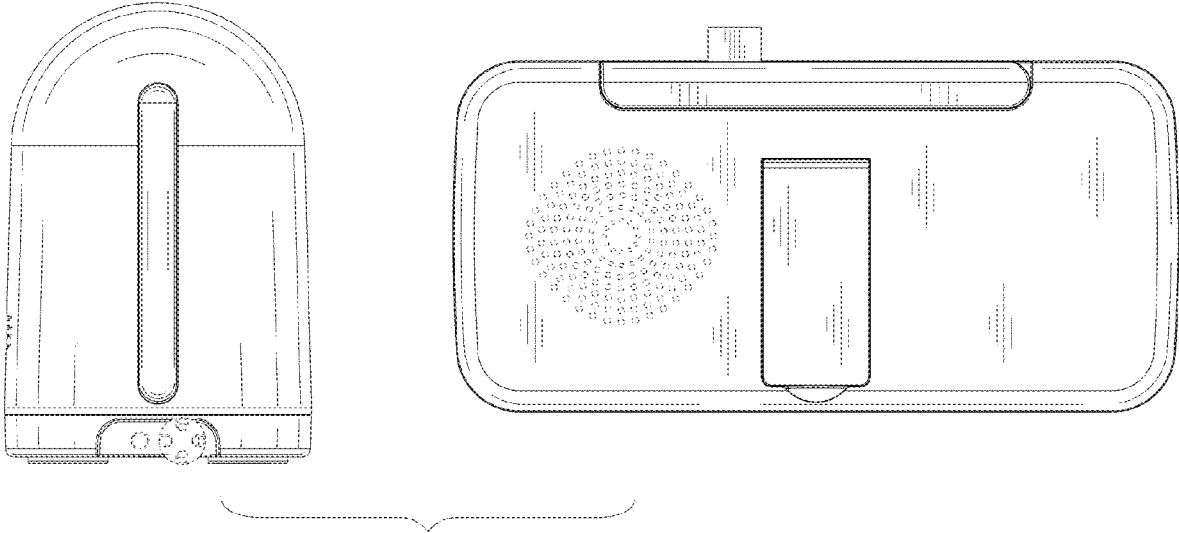


FIG.4

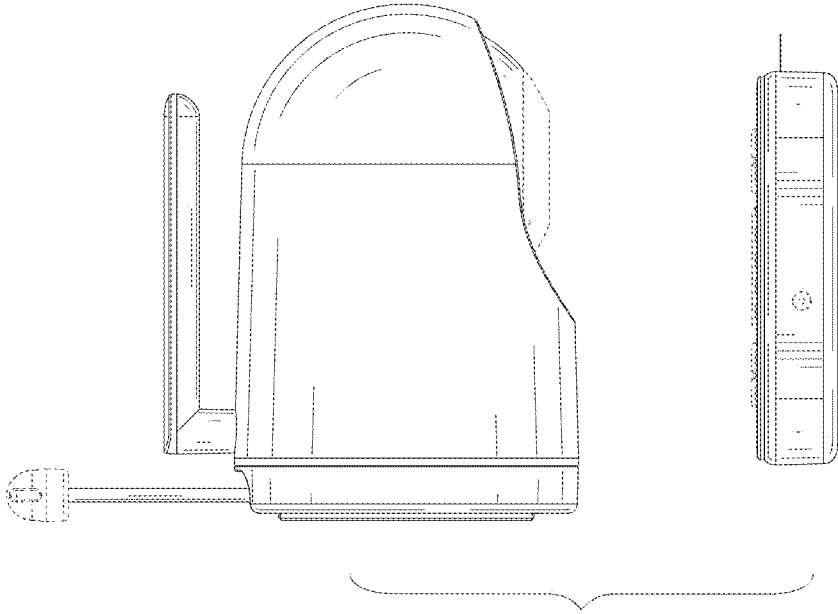


FIG.5

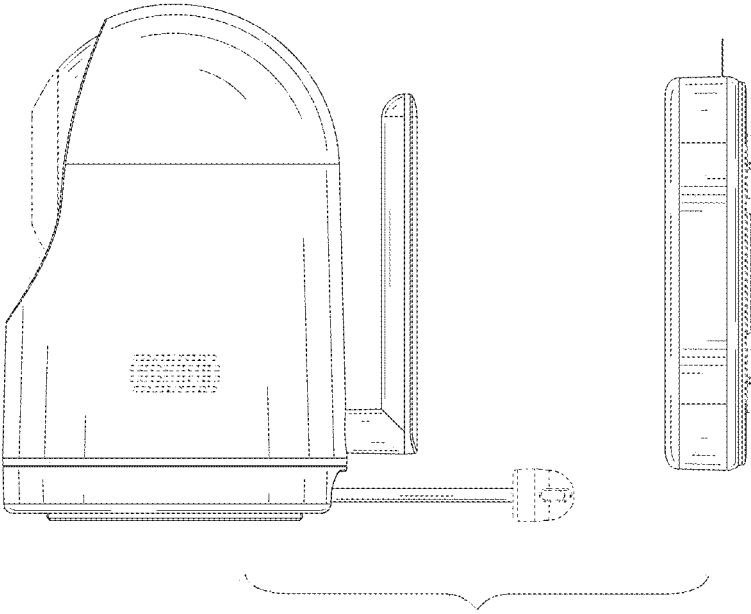


FIG.6

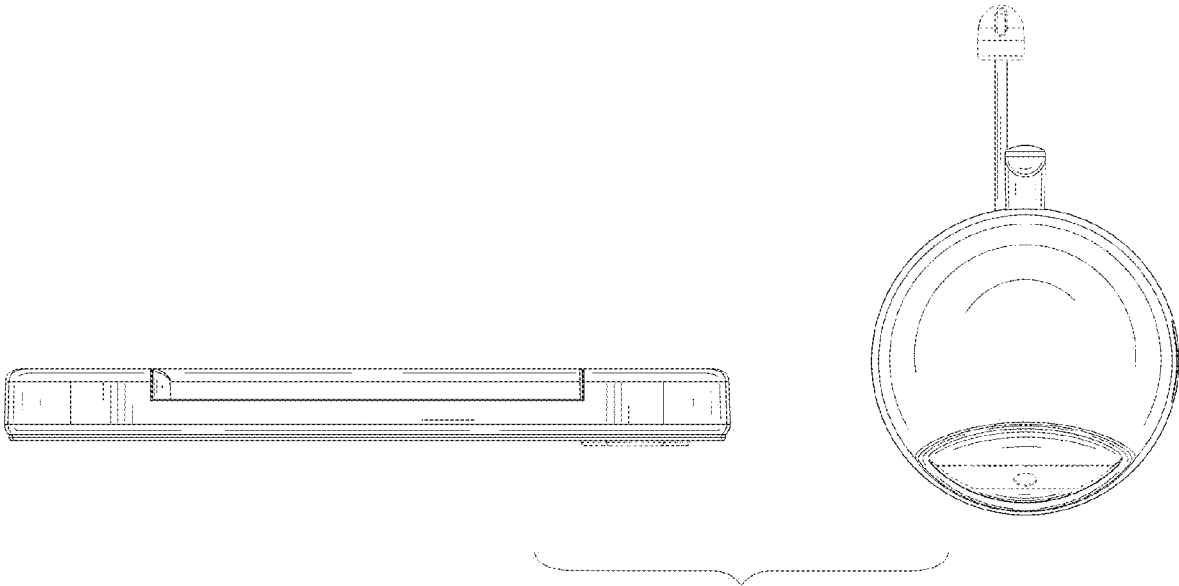


FIG.7

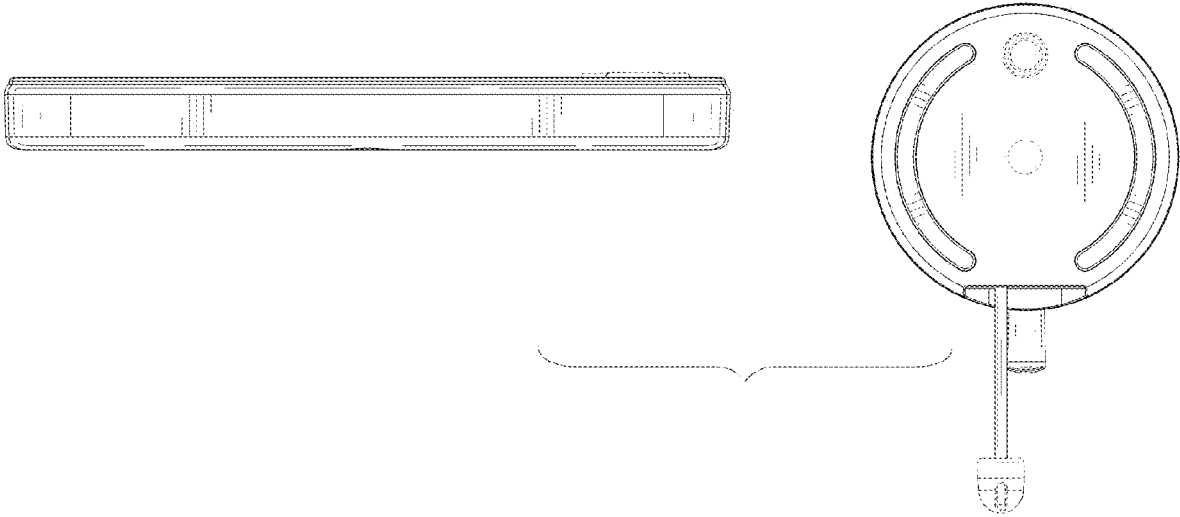


FIG.8