



US00D415117S

United States Patent [19]

[11] Patent Number: Des. 415,117

Belinky et al.

[45] Date of Patent: ** *Oct. 12, 1999

[54] MOUNTING BOX FOR A TRAILER HITCH ELECTRICAL CONNECTOR

5,443,389 8/1995 Hughes .

[75] Inventors: **Jacob S. Belinky**, Carleton; **David L. Rogers**, Canton, both of Mich.

[73] Assignee: **Draw-Tite, Inc.**, Canton, Mich.

[*] Notice: This patent is subject to a terminal disclaimer.

[**] Term: **14 Years**

[21] Appl. No.: **29/087,256**

[22] Filed: **Apr. 29, 1998**

Related U.S. Application Data

[63] Continuation-in-part of application No. 29/057,986, Aug. 6, 1996.

[51] LOC (6) Cl. **13-03**

[52] U.S. Cl. **D13/184; D12/162**

[58] Field of Search D13/110, 152, D13/184; D12/162; 174/48, 49, 50-67; 280/507

[56] References Cited

U.S. PATENT DOCUMENTS

- D. 254,846 4/1980 Wood .
- D. 273,778 5/1984 Ruhland .
- D. 332,942 2/1993 Julien .
- D. 345,145 3/1994 Fogg et al. .
- D. 358,370 5/1995 Guppy .
- D. 384,336 9/1997 Gerber et al. D13/184
- 2,643,787 6/1953 Rockman .
- 2,878,301 3/1959 Dierstein et al. .
- 4,747,506 5/1988 Stuchlik, III .
- 4,781,393 11/1988 Jeter .
- 4,842,524 6/1989 Hopkins et al. .
- 5,288,094 2/1994 Putnam .
- 5,407,219 4/1995 Chiu .
- 5,407,888 4/1995 Jorgensen et al. .

OTHER PUBLICATIONS

Hidden Hitch Ford Explorer Installation Instructions, Part #83607, Jul. 4, 1995.

Body Components, Underbody Components, Trailer Hitch, p. 25, 1993.

Copies of (3) photographs of a Trailer Hitch with Welded Electrical Connector Bracket (admitted prior art).

Advertising Article "Weatherproof Power Outlets", Hoffman Engineering Corporation, p. 12, 1962.

Primary Examiner—Doris V. Coles

Assistant Examiner—Cathron B. Matta

Attorney, Agent, or Firm—Leon E. Redman; Edgar A. Zarins

[57] CLAIM

The ornamental design for a mounting box for a trailer hitch electrical connector, as shown and described.

DESCRIPTION

FIG. 1 is a perspective view of a mounting box for a trailer hitch electrical connector showing our new design;

FIG. 2 is a left side elevational view thereof, the right side being a mirror image of the left side;

FIG. 3 is a front elevational view thereof;

FIG. 4 is a rear elevational view thereof;

FIG. 5 is a top plan view thereof;

FIG. 6 is a bottom plan view thereof;

FIG. 7 is a perspective view of a second embodiment of the mounting box for a trailer hitch electrical connector, the utilitarian mounting slot shown in phantom is for illustrative purposes only and forms no part of the claimed design;

FIG. 8 is a front elevational view thereof;

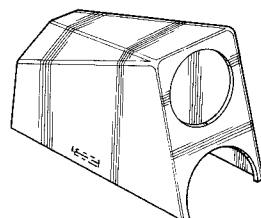
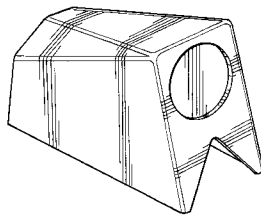
FIG. 9 is a rear elevational view thereof;

FIG. 10 is a top plan view thereof; and,

FIG. 11 is a bottom plan view thereof.

The sole difference in the second embodiment is the arcuate opening at the bottom of the front and rear member.

1 Claim, 4 Drawing Sheets



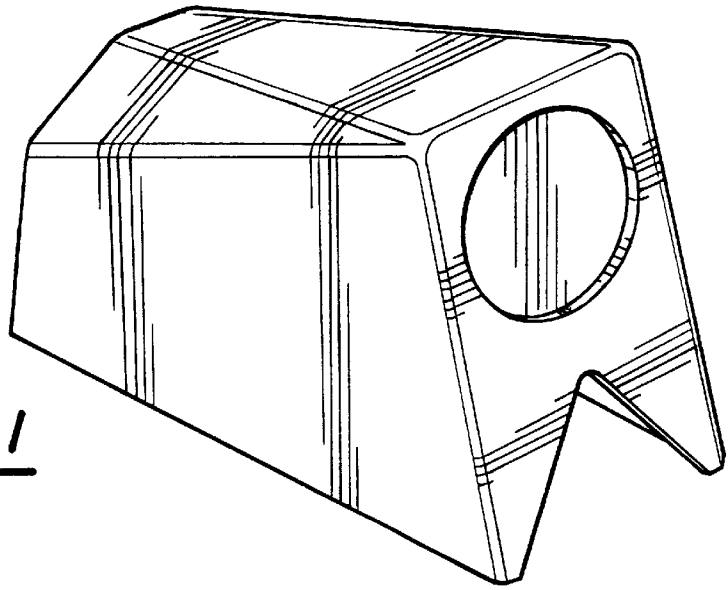


Fig-1

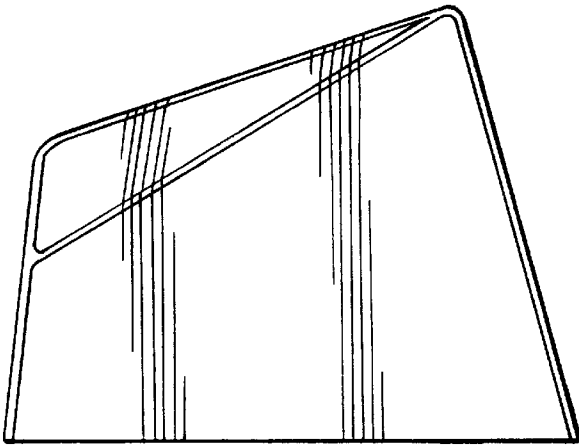


Fig-2

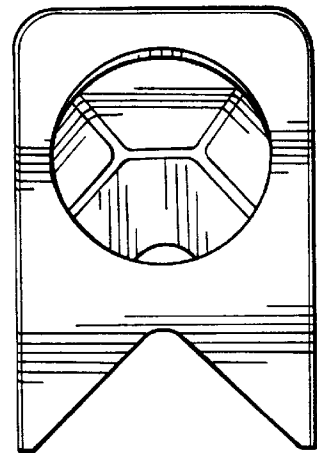


Fig-3

Fig-4

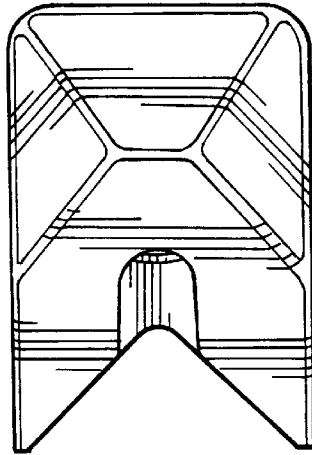


Fig-5

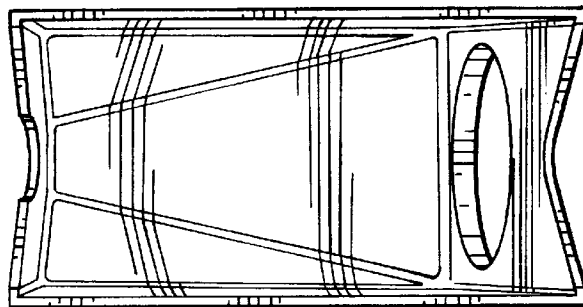
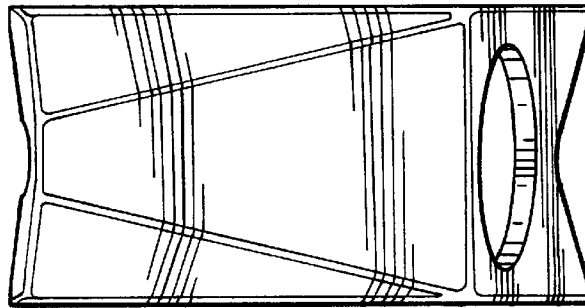


Fig-6

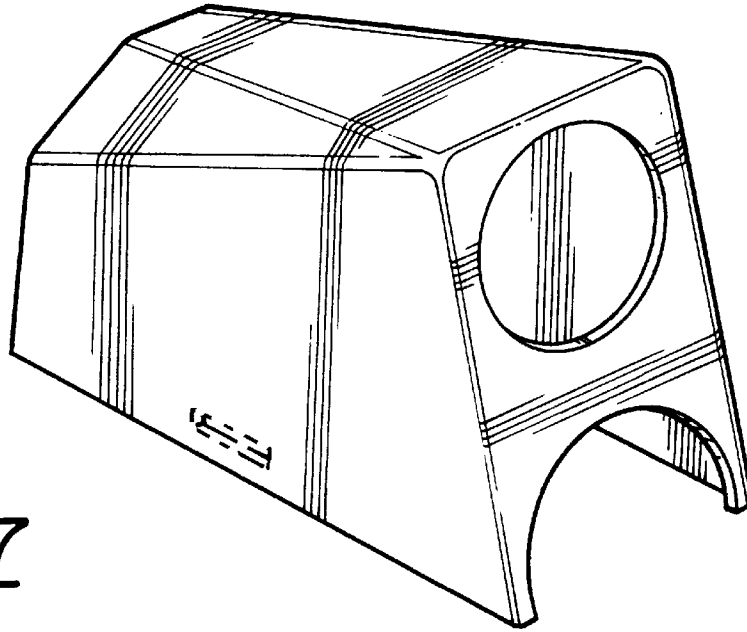


Fig-7

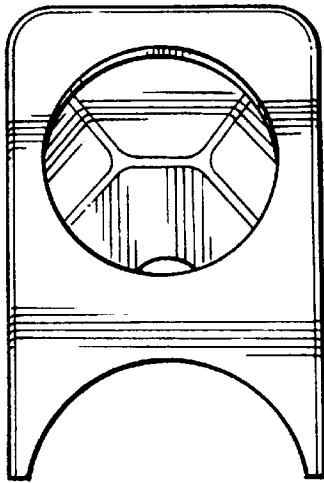


Fig-8

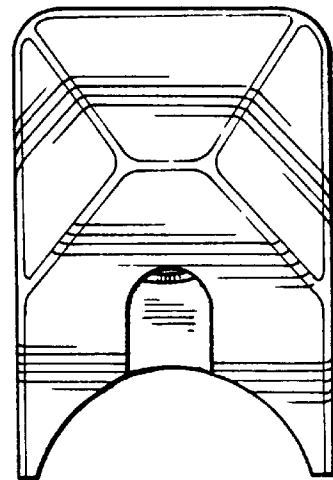


Fig-9

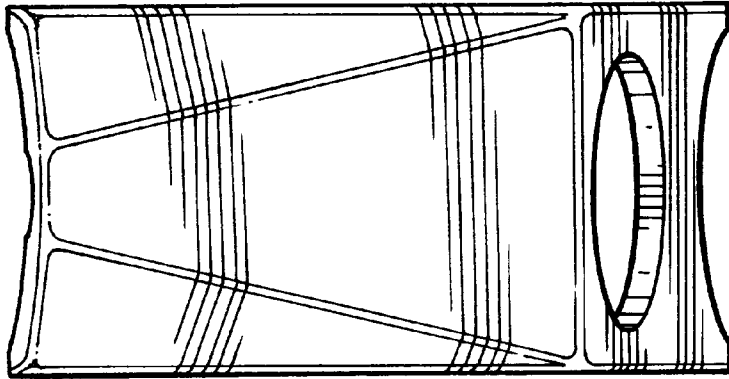


Fig-10

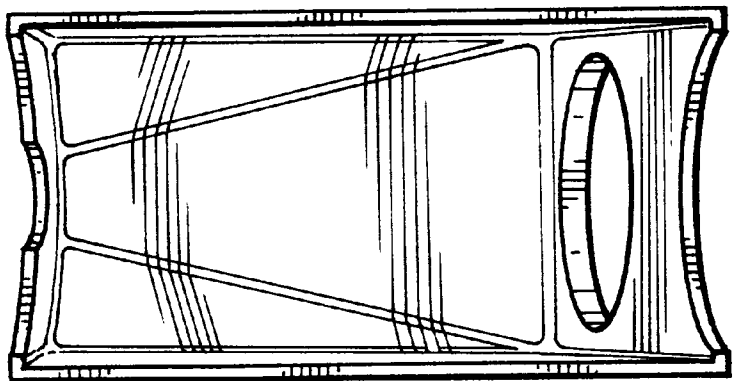


Fig-11