



(12) **United States Design Patent**  
**Edwards et al.**

(10) **Patent No.:** **US D887,750 S**  
(45) **Date of Patent:** **\*\* Jun. 23, 2020**

- (54) **RETAIL DISPLAY**
- (71) Applicant: **Apple Inc.**, Cupertino, CA (US)
- (72) Inventors: **Joshua Robert Edwards**, Santa Cruz, CA (US); **Tracey Adam Finger**, Miami Beach, FL (US); **Jean-Marc Gady**, Los Altos, CA (US); **Gregory Guillaume Lespinard**, San Jose, CA (US); **Constantino Siampos**, Alameda, CA (US); **Moritz Wilsberg**, Rheinbreitbach (DE)
- (73) Assignee: **Apple Inc.**, Cupertino, CA (US)
- (\*\*) Term: **15 Years**
- (21) Appl. No.: **29/719,595**
- (22) Filed: **Jan. 6, 2020**

D602,282 S	10/2009	Lulloff et al.	
D641,988 S	7/2011	Giroux	
D669,091 S *	10/2012	Cranfill .....	D14/486
D741,091 S	10/2015	Tio et al.	
D757,777 S *	5/2016	Cranfill .....	D14/486
D769,021 S	10/2016	Green et al.	
D770,203 S *	11/2016	Thaler .....	D6/673
D777,478 S	1/2017	Krauss	
D778,087 S	2/2017	Mandon et al.	
D785,978 S	5/2017	Brown et al.	
D785,982 S	5/2017	Brown et al.	
D819,377 S *	6/2018	Brown .....	D6/705
D820,619 S	6/2018	Brugger et al.	
D851,428 S *	6/2019	Brugger .....	D6/675.1
D858,153 S *	9/2019	Finger .....	D6/678.1
D867,037 S *	11/2019	Brugger .....	D6/675.1
D867,038 S *	11/2019	Brugger .....	D6/675.1
D871,115 S *	12/2019	Finger .....	D6/675.1
D871,807 S *	1/2020	Spielmann .....	D6/675
D872,508 S *	1/2020	Brugger .....	D6/675.1
2006/0243683 A1	11/2006	Onachilla et al.	
2014/0190089 A1	7/2014	Alarcon et al.	

(Continued)

**Related U.S. Application Data**

- (63) Continuation of application No. 29/694,970, filed on Jun. 14, 2019, now Pat. No. Des. 872,508, which is a continuation of application No. 29/650,766, filed on Jun. 8, 2018, now Pat. No. Des. 851,428, which is a continuation of application No. 29/599,805, filed on Apr. 6, 2017, now Pat. No. Des. 820,619.
- (51) **LOC (12) Cl.** ..... **06-06**
- (52) **U.S. Cl.**  
USPC ..... **D6/675.1**
- (58) **Field of Classification Search**  
USPC ..... D6/672, 673, 675-675.1, 675.3, 675.4  
CPC .. A47F 1/00; A47F 5/0081; A47F 5/04; A47F 7/00  
See application file for complete search history.

**References Cited**

**U.S. PATENT DOCUMENTS**

D467,450 S *	12/2002	Trulaske, Sr. ....	D15/81
D584,902 S	1/2009	Neff et al.	

*Primary Examiner* — Kelley A Donnelly  
(74) *Attorney, Agent, or Firm* — Sterne, Kessler, Goldstein & Fox P.L.L.C.

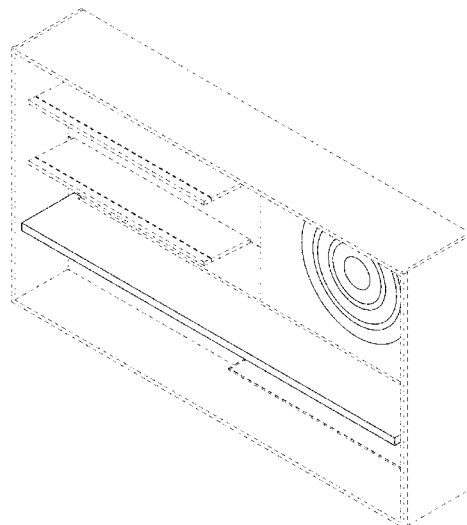
(57) **CLAIM**

The ornamental design for a retail display, as shown and described.

**DESCRIPTION**

FIG. 1 is a top front perspective view of a retail display showing the claimed design; FIG. 2 bottom front perspective view thereof; and, FIG. 3 is a front view thereof. The broken lines in the figures show portions of the retail display that form no part of the claimed design.

**1 Claim, 3 Drawing Sheets**



(56)

**References Cited**

U.S. PATENT DOCUMENTS

2018/0146799 A1\* 5/2018 Resch ..... F25B 49/005  
2019/0035004 A1\* 1/2019 Zhang ..... G06Q 30/0641

\* cited by examiner

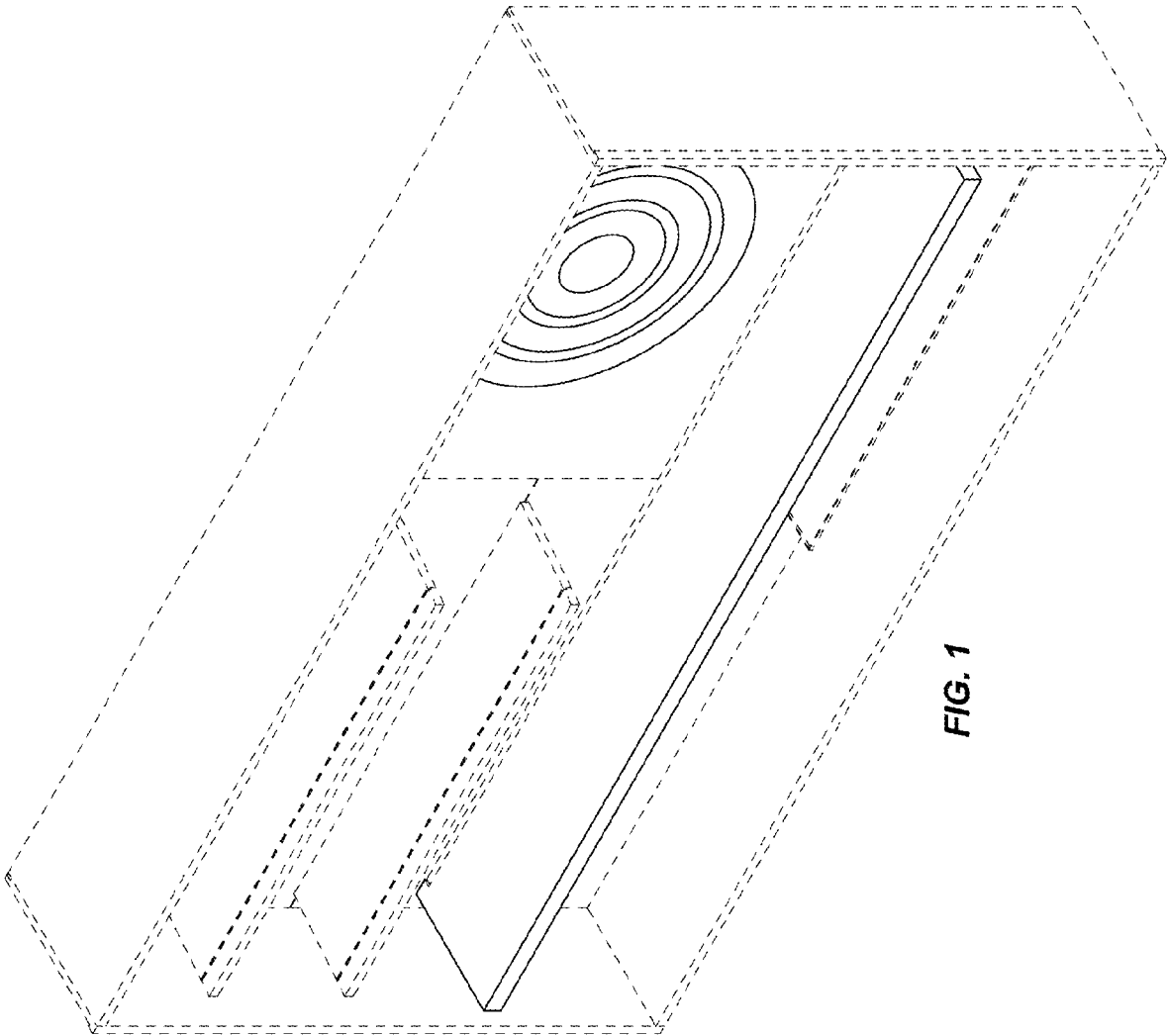


FIG. 1

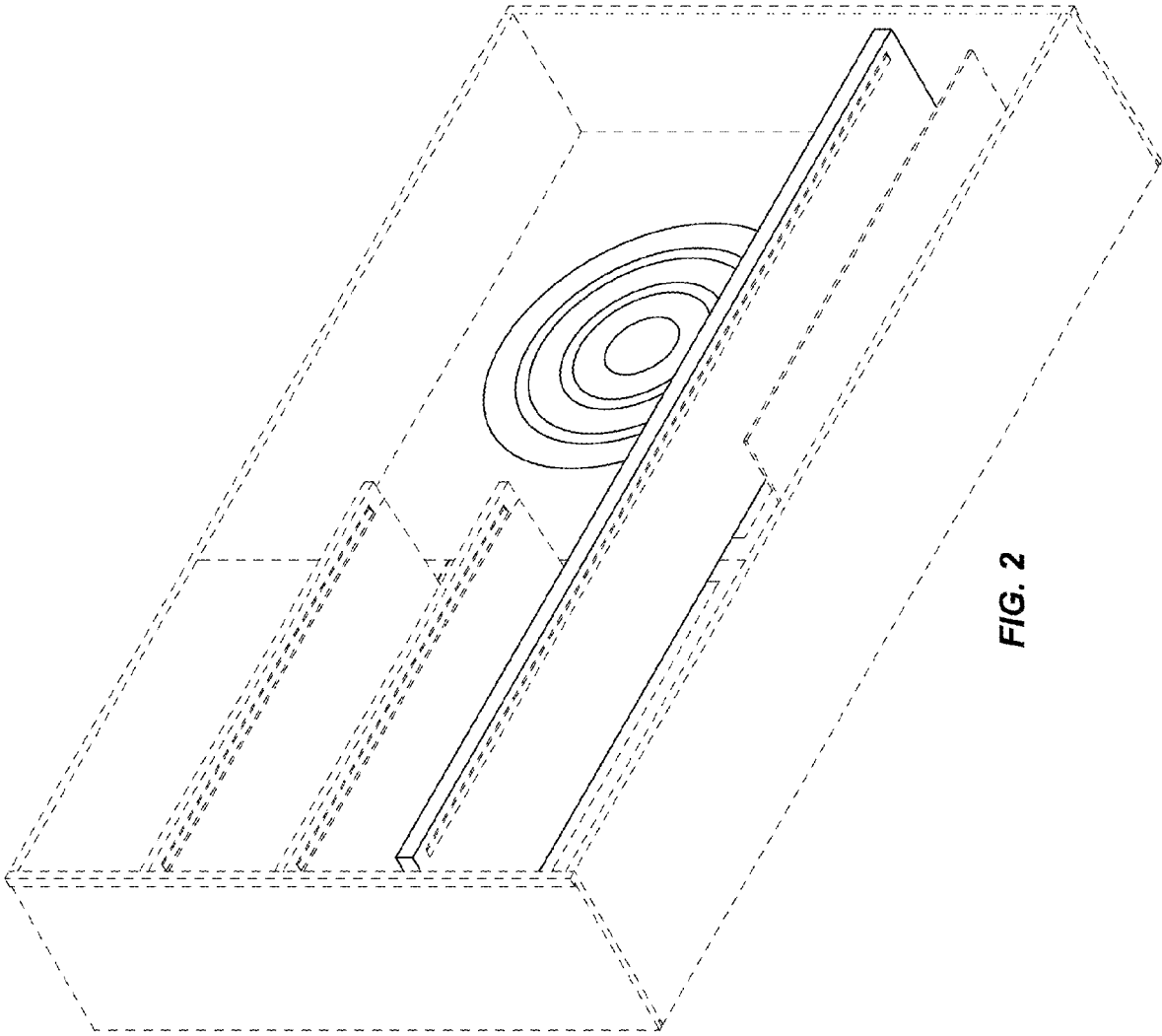


FIG. 2

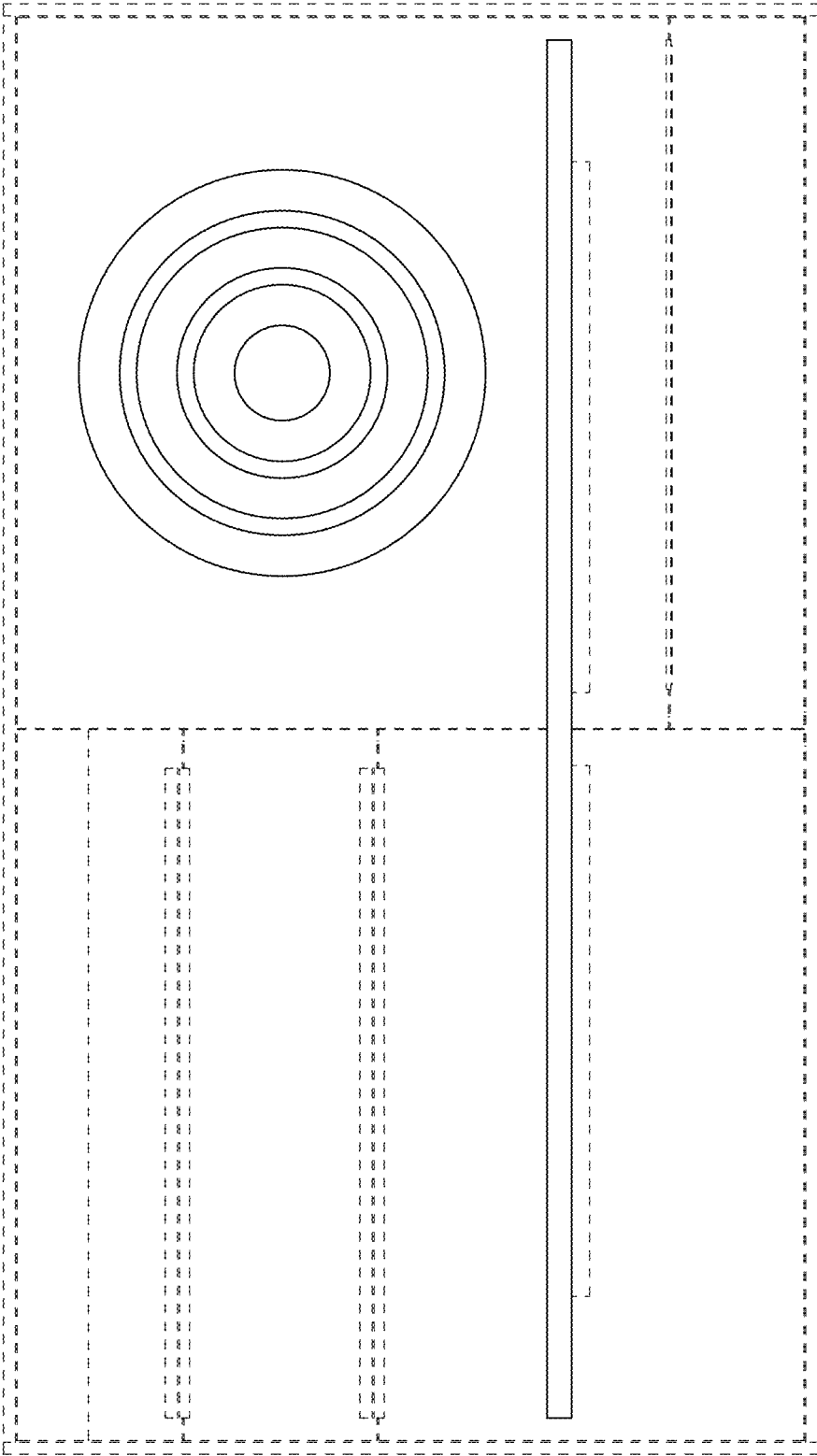


FIG. 3