



US00D510752S

(12) **United States Design Patent** (10) **Patent No.:** **US D510,752 S**
Baerlocher (45) **Date of Patent:** **** Oct. 18, 2005**

(54) **GAMING MACHINE DISPLAY INCLUDING AN OUTER SYMBOL DISPLAY HAVING A DISPLAY WINDOW AND AN INNER SYMBOL DISPLAY**

(75) Inventor: **Anthony J. Baerlocher**, Reno, NV (US)

(73) Assignee: **IGT**, Reno, NV (US)

(**) Term: **14 Years**

(21) Appl. No.: **29/189,886**

(22) Filed: **Sep. 10, 2003**

(51) **LOC (8) Cl.** **21-03**

(52) **U.S. Cl.** **D21/370**

(58) **Field of Search** D21/325, 329, D21/369-371, 374, 385; 273/138.1; 463/16-17, 20, 46-47

(56) **References Cited**

U.S. PATENT DOCUMENTS

D164,309 S	*	8/1951	McManus	D21/370
D208,030 S	*	7/1967	Weinand	D21/370
D260,769 S	*	9/1981	Thomas	D14/143
5,722,891 A	*	3/1998	Inoue	463/20
D400,597 S	*	11/1998	Hedrick et al.	D21/370
D404,084 S	*	1/1999	Hedrick et al.	D21/370
D406,615 S	*	3/1999	Griswold et al.	D21/370
5,934,672 A	*	8/1999	Sines et al.	273/138.1
D487,582 S	*	3/2004	McGahn et al.	D21/369

* cited by examiner

Primary Examiner—Sandra L. Morris

(74) *Attorney, Agent, or Firm*—Bell, Boyd & Lloyd LLC

(57) **CLAIM**

The ornamental design for the gaming machine display including an outer symbol display having a display window and an inner symbol display, as shown and described.

DESCRIPTION

FIG. 1 is a front perspective view of the gaming machine display including an outer symbol display having a display

window and an inner symbol display of my new design, that portion of the gaming machine shown in phantom is not part of the design sought to be patented and is provided for environmental purposes only;

FIG. 2 is a front view of the gaming machine display of my new design illustrated in FIG. 1, that portion of the gaming machine shown in phantom is not part of the design sought to be patented and is provided for environmental purposes only;

FIG. 3 is a left side view of the gaming machine display of my new design illustrated in FIG. 1, that portion of the gaming machine shown in phantom is not part of the design sought to be patented and is provided for environmental purposes only, and wherein the right side is a mirror image thereof;

FIG. 4 is a top plan view of the gaming machine display of my new design illustrated in FIG. 1, that portion of the gaming machine shown in phantom is not part of the design sought to be patented and is provided for environmental purposes only;

FIG. 5 is a front view of an alternative embodiment of the gaming machine display including an outer symbol display having a display window and an inner symbol display of my new design, that portion of the gaming machine shown in phantom is not part of the design sought to be patented and is provided for environmental purposes only;

FIG. 6 is a front view of a further alternative embodiment of the gaming machine display including an outer symbol display having a display window and an inner symbol display of my new design, that portion of the gaming machine shown in phantom is not part of the design sought to be patented and is provided for environmental purposes only;

FIG. 7 is a front perspective view of a further alternative embodiment of the gaming machine display including an outer symbol display having a display window and an inner symbol display of my new design, that portion of the gaming machine shown in phantom is not part of the design sought to be patented and is provided for environmental purposes only;

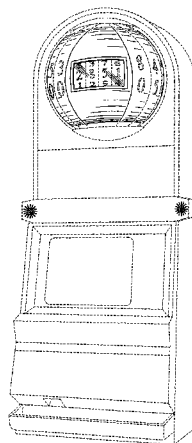


FIG. 8 is a front view of the gaming machine display of the alternative embodiment of my new design illustrated in FIG. 7, that portion of the gaming machine shown in phantom is not part of the design sought to be patented and is provided for environmental purposes only;

FIG. 9 is a left side view of the gaming machine display of the alternative embodiment of my new design illustrated in FIG. 7, that portion of the gaming machine shown in phantom is not part of the design sought to be patented and is provided for environmental purposes only, and wherein the right side is a mirror image thereof;

FIG. 10 is a top plan view of the gaming machine display of the alternative embodiment of my new design illustrated in FIG. 7, that portion of the gaming machine shown in phantom is not part of the design sought to be patented and is provided for environmental purposes only;

FIG. 11 is a front view of a further alternative embodiment of the gaming machine display including an outer symbol display having a display window and an inner symbol display symbol of my new design, that portion of the gaming machine shown in phantom is not part of the design sought to be patented and is provided for environmental purposes only; and,

FIG. 12 is a front view of a further alternative embodiment of the gaming machine display including an outer symbol display having a display window and an inner symbol display symbol my new design, that portion of the gaming machine shown in phantom is not part of the design sought to be patented and is provided for environmental purposes only.

1 Claim, 12 Drawing Sheets

FIG.1

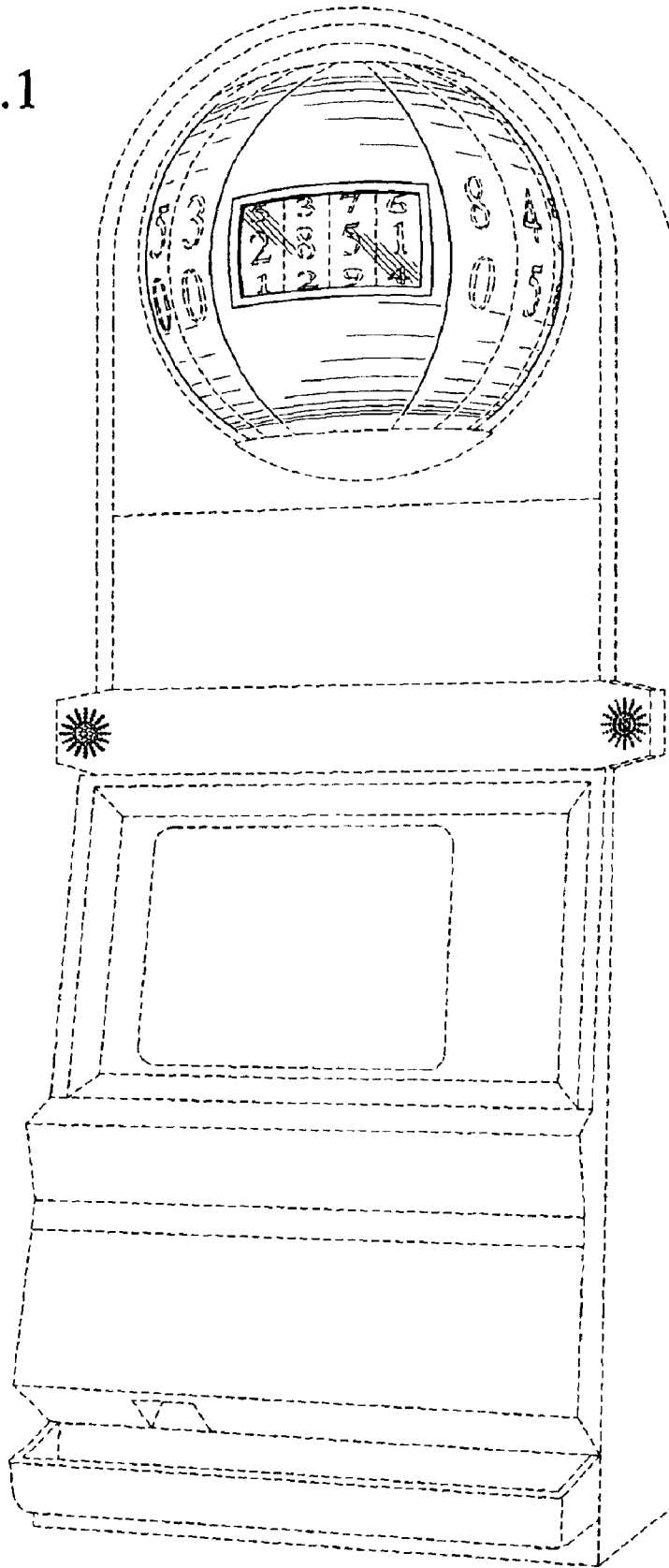


FIG. 2

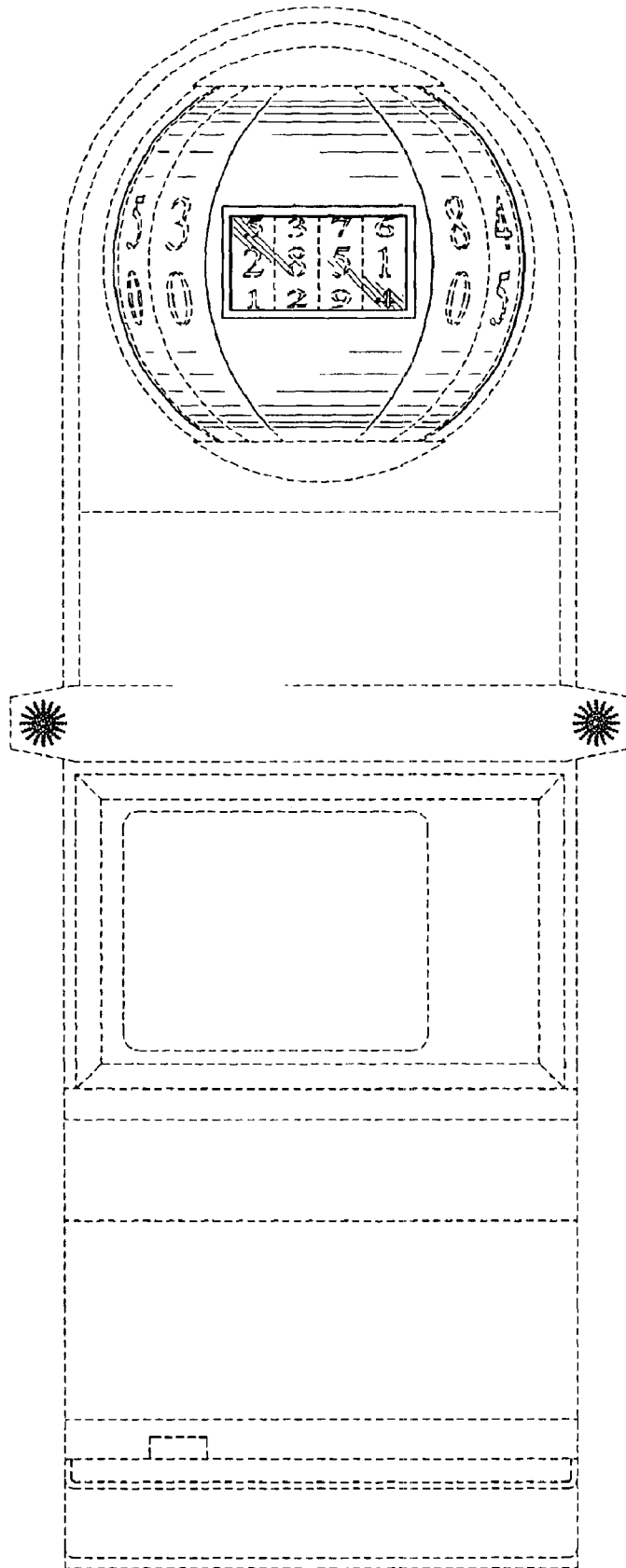


FIG.3

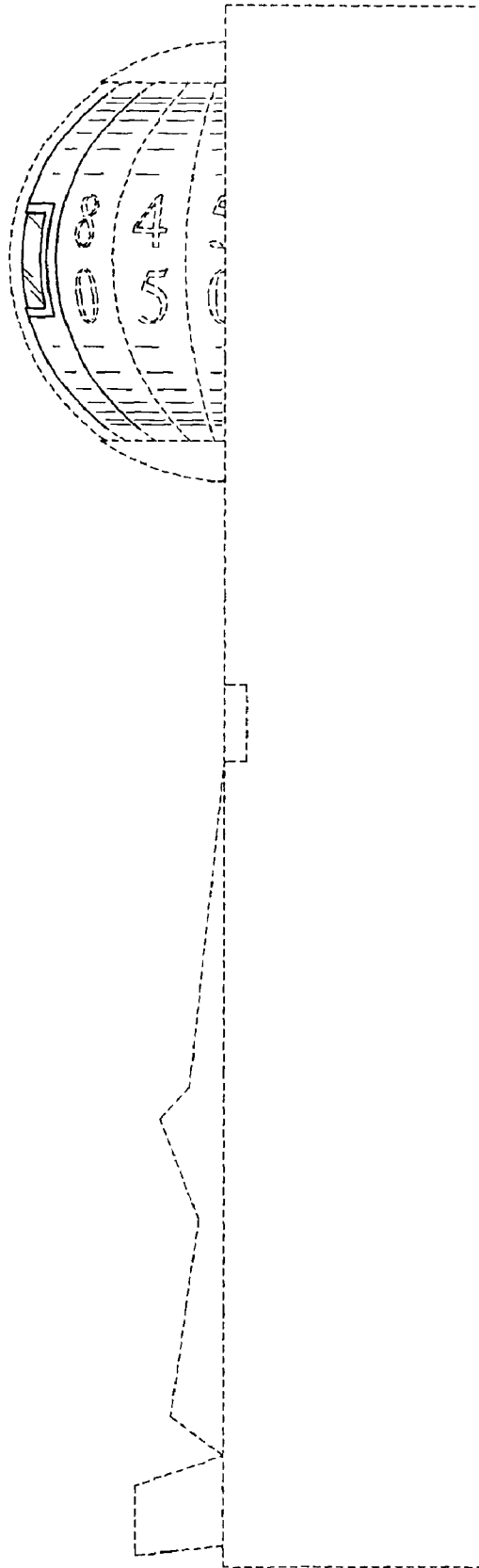


FIG. 4

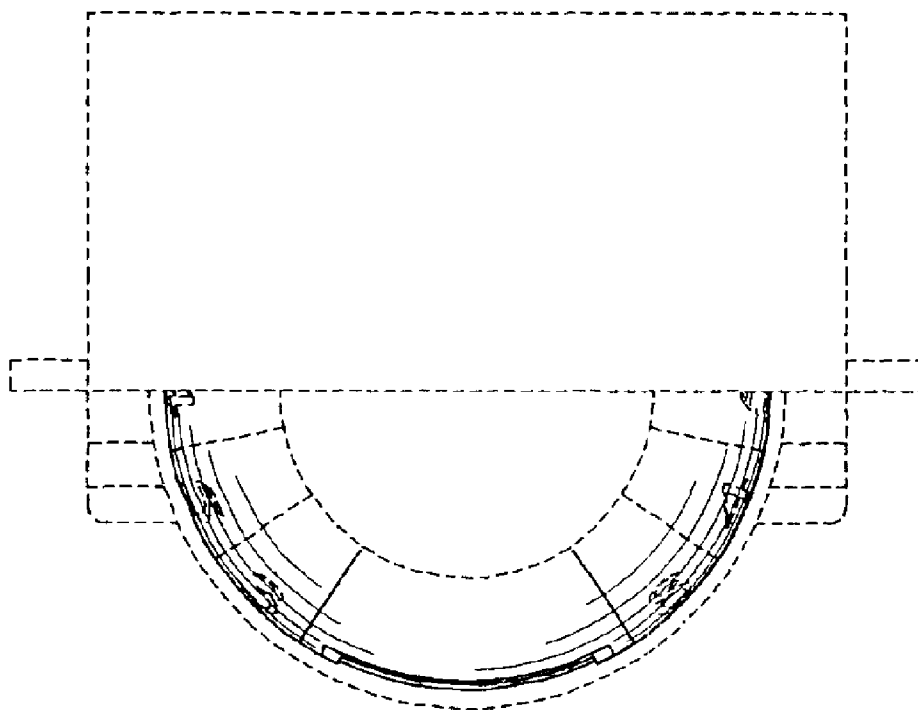


FIG. 5

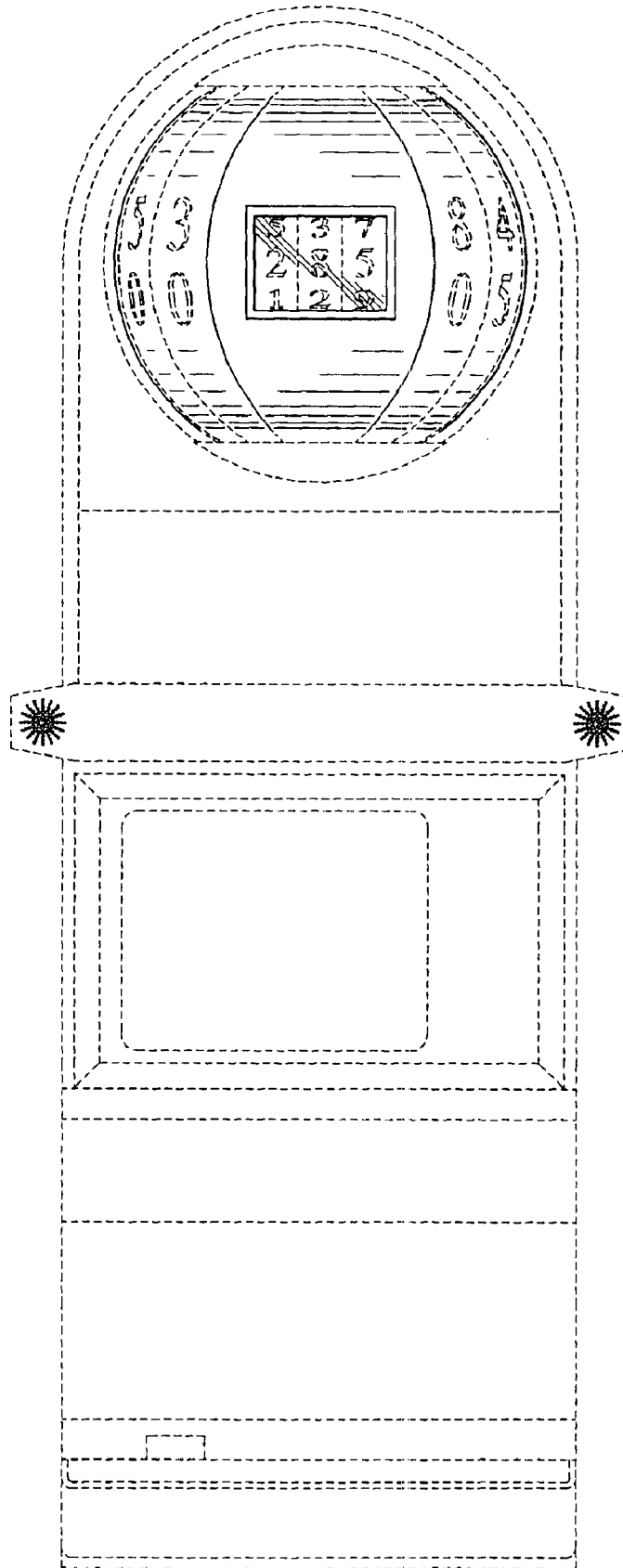


FIG. 6

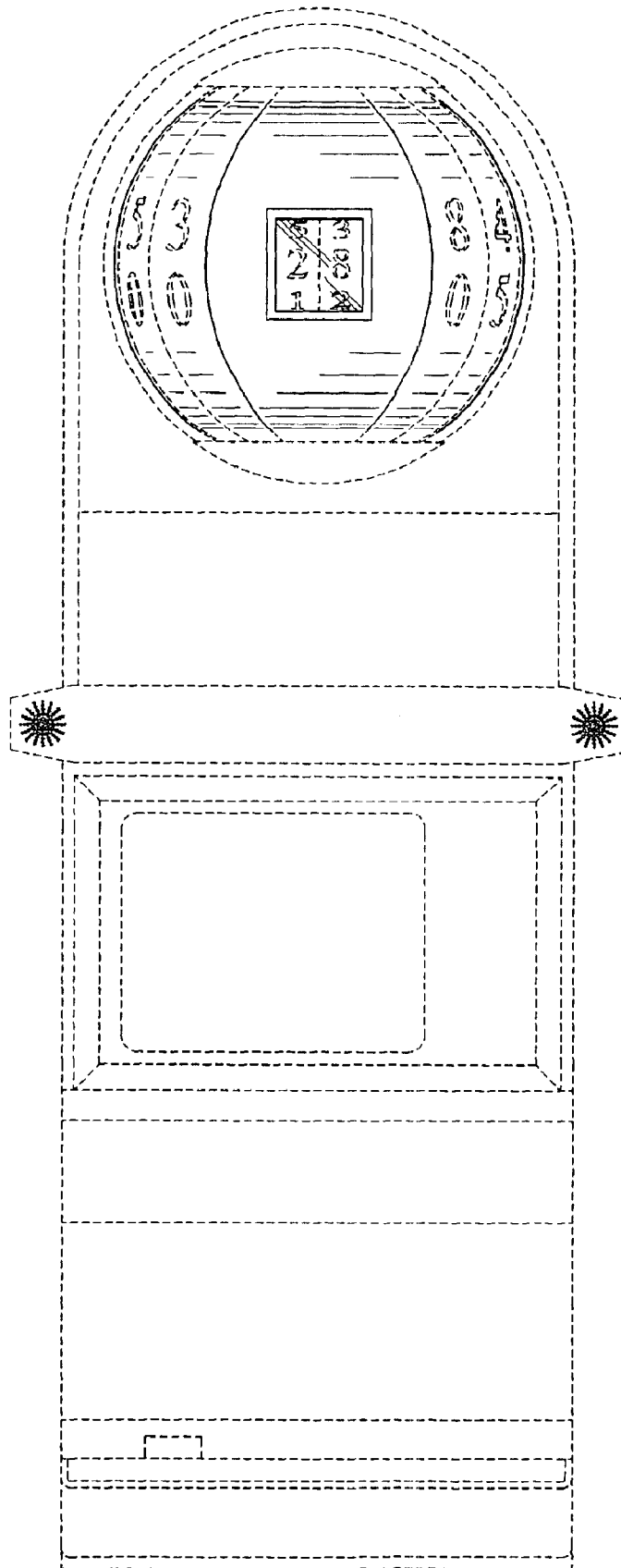


FIG. 7

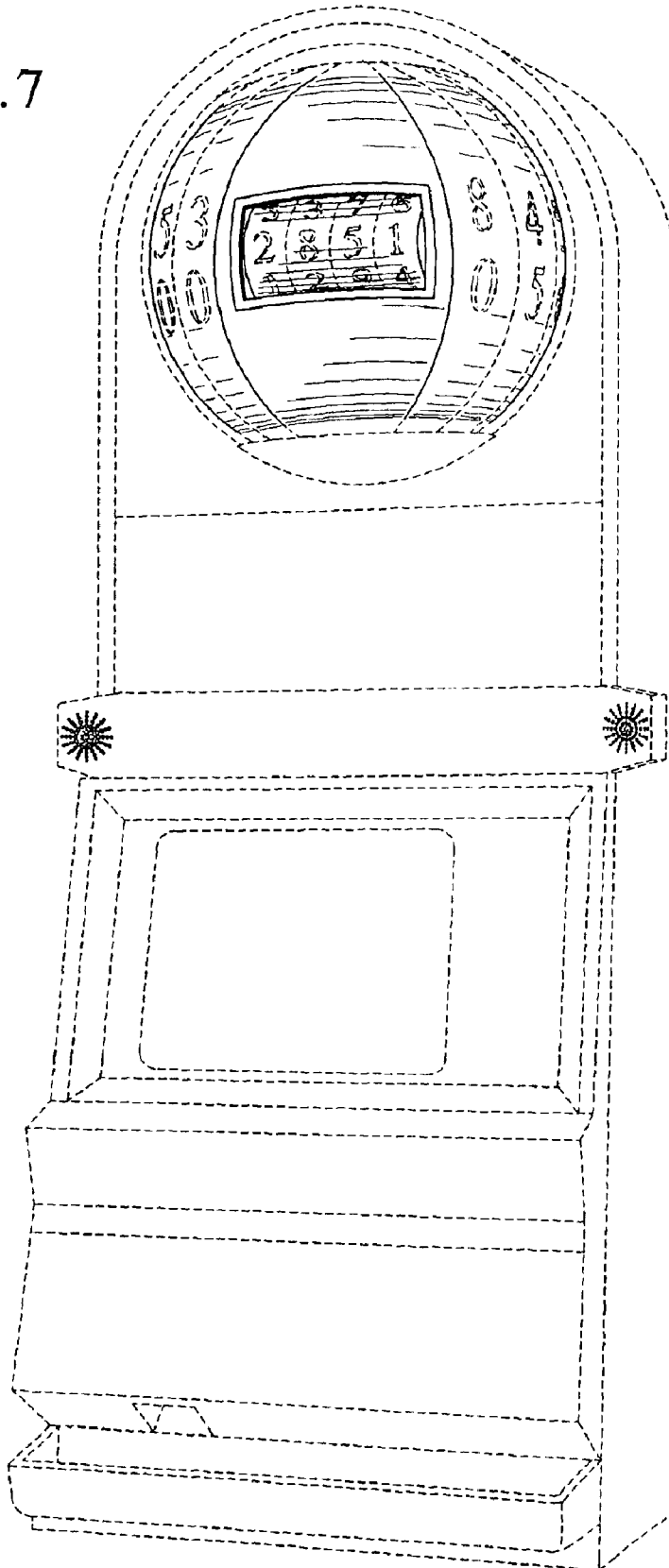
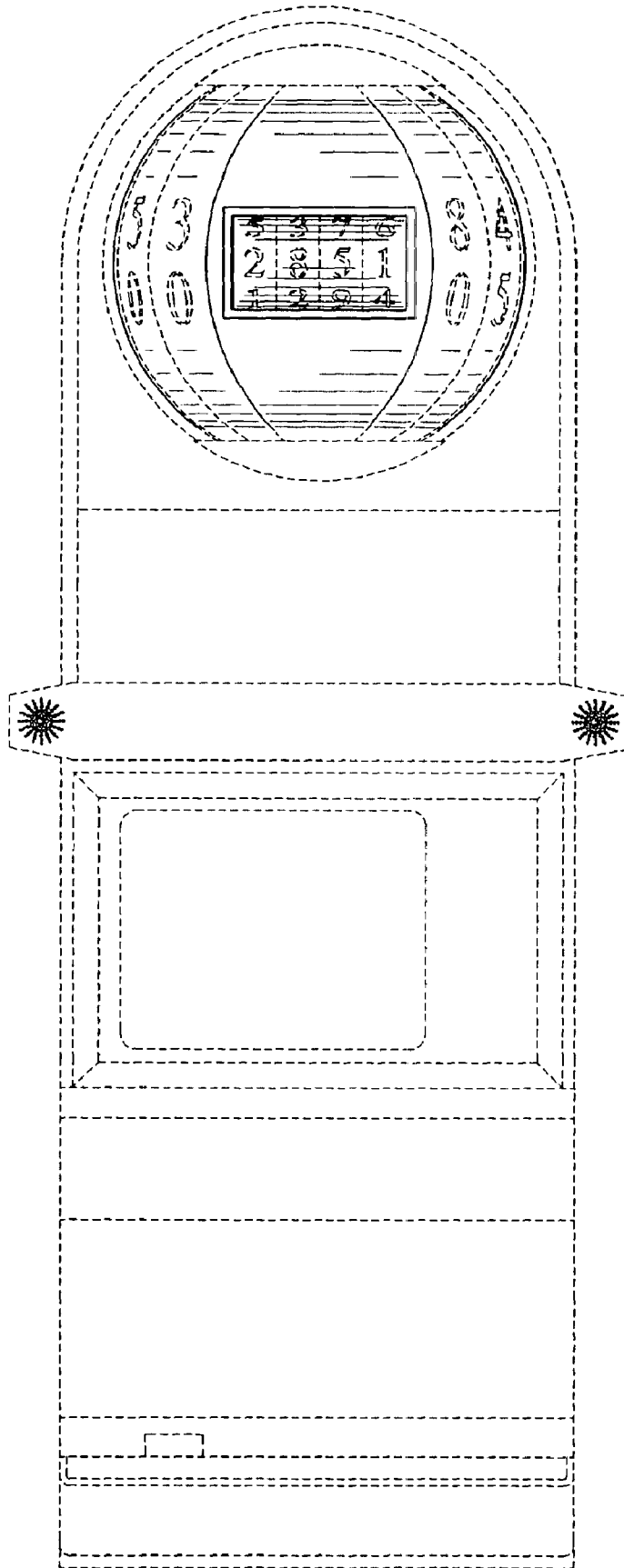


FIG. 8



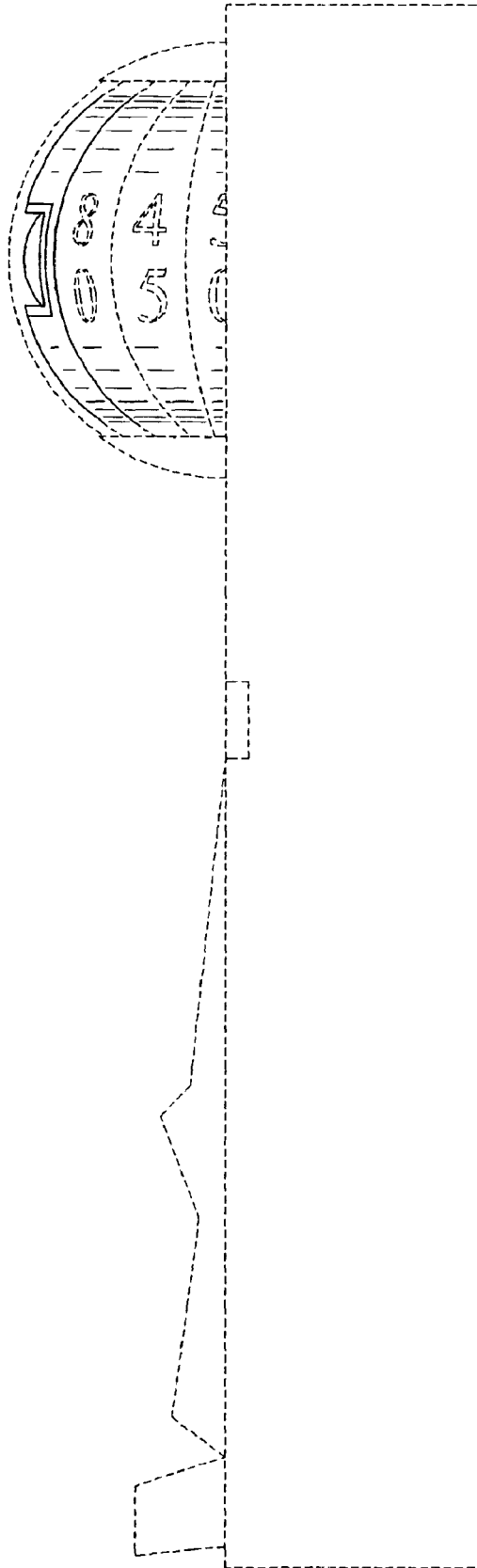


FIG. 9

FIG. 10

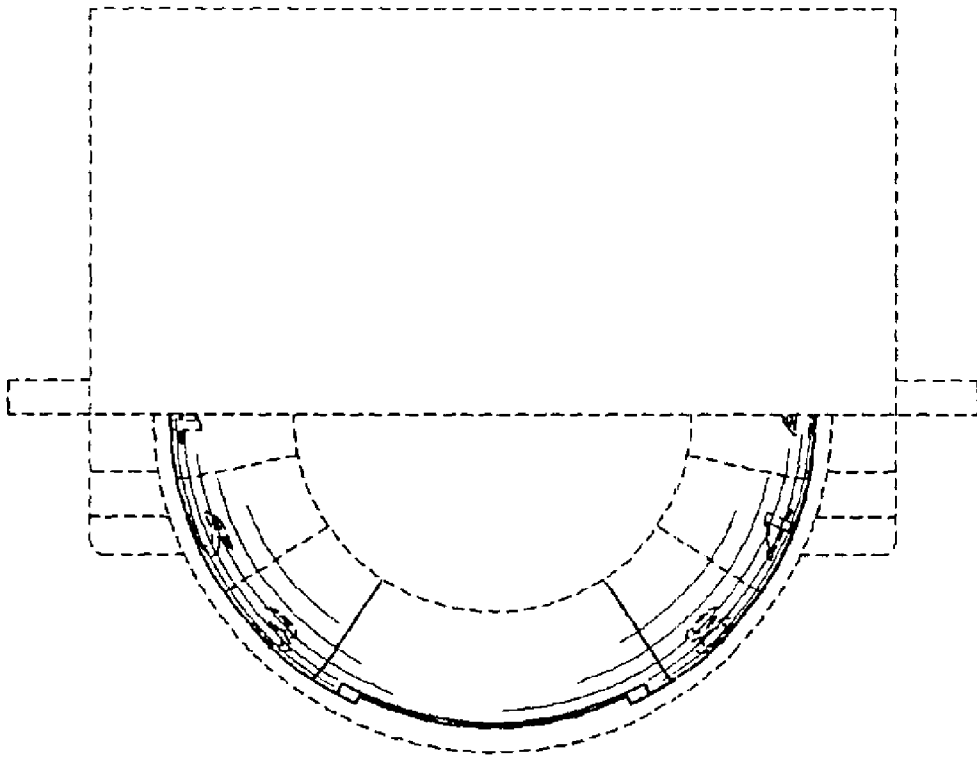


FIG.11

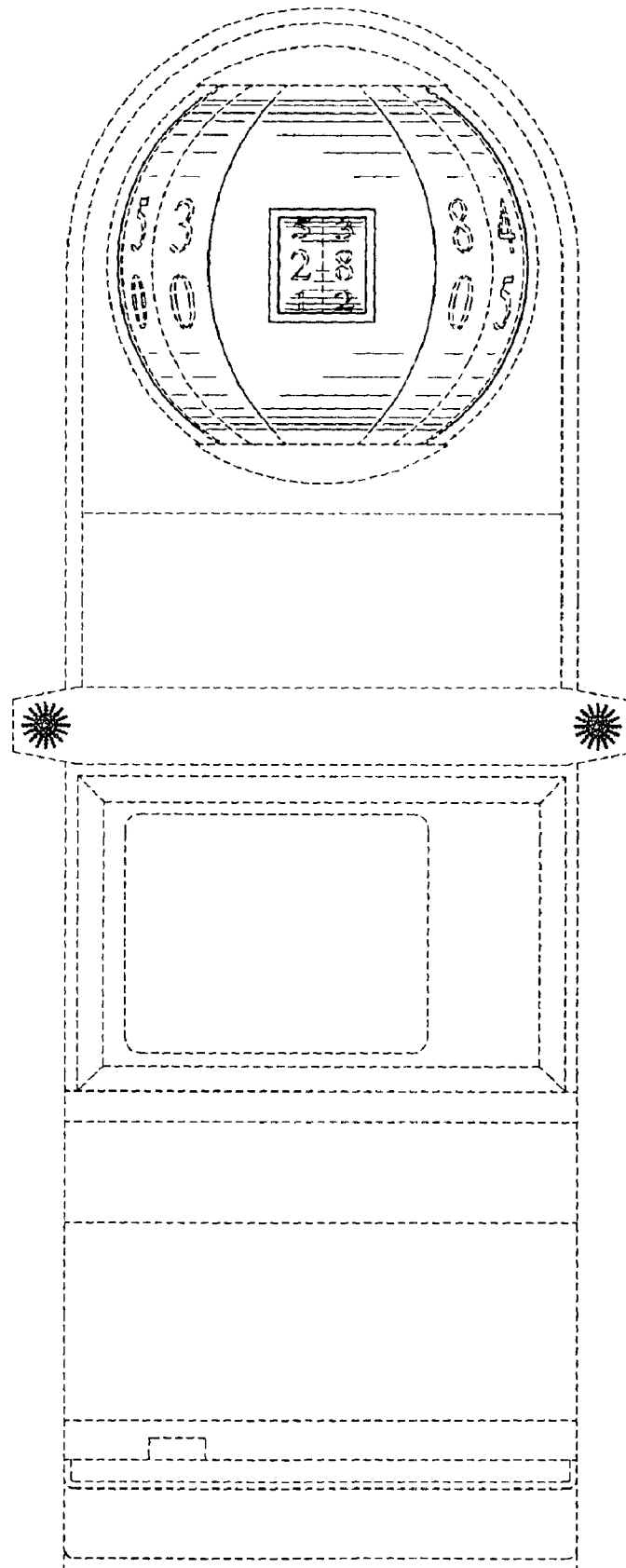


FIG. 12

