



US00D987709S

(12) **United States Design Patent**
Drost

(10) **Patent No.:** **US D987,709 S**

(45) **Date of Patent:** **** May 30, 2023**

- (54) **ENCLOSURE FOR CAPTURE DEVICES**
- (71) Applicant: **Musco Corporation**, Oskaloosa, IA (US)
- (72) Inventor: **Matthew D. Drost**, Oskaloosa, IA (US)
- (73) Assignee: **Musco Corporation**, Oskaloosa, IA (US)
- (**) Term: **15 Years**
- (21) Appl. No.: **29/754,878**
- (22) Filed: **Oct. 15, 2020**

D509,527	S	*	9/2005	Murray	D16/244
D518,080	S		3/2006	Uehara		
D532,436	S	*	11/2006	Kruse	D16/244
D536,357	S		2/2007	Koby		
D552,148	S		10/2007	Yamakawa		
D701,893	S	*	4/2014	Bart	D16/214
D712,955	S	*	9/2014	Hrbacek	D16/237
8,885,016	B2	*	11/2014	Sasagawa	G03B 37/04 348/E5.026
9,071,767	B2		6/2015	Sasagawa		
D747,383	S	*	1/2016	Li	D16/203
D781,361	S	*	3/2017	Dimitriadis	D16/203
D798,361	S		9/2017	Kim		
D798,935	S	*	10/2017	Dimitriadis	D16/203
D816,141	S	*	4/2018	Siminoff	D16/203
9,942,639	B2		4/2018	Wright		
D834,631	S	*	11/2018	Park	D16/203
D841,715	S		2/2019	Thompson		

(Continued)

Related U.S. Application Data

- (62) Division of application No. 29/672,584, filed on Dec. 6, 2018, now Pat. No. Des. 905,150.
- (51) **LOC (14) Cl.** **16-01**
- (52) **U.S. Cl.**
USPC **D16/203**
- (58) **Field of Classification Search**
USPC D8/349, 363, 373; D16/219, 235,
D16/237-245, 200-206; D26/67, 93,
D26/142, 150
CPC F16M 11/14; F16M 11/16; F16M 11/32;
F16M 11/38; G03B 17/561; G03B
17/566; G02B 7/00-002
See application file for complete search history.

Primary Examiner — Richard Kearney
Assistant Examiner — Benjamin M Weeks
 (74) *Attorney, Agent, or Firm* — McKee, Voorhees & Sease, PLC

(57) **CLAIM**

The ornamental design for an enclosure for capture devices, as shown and described.

DESCRIPTION

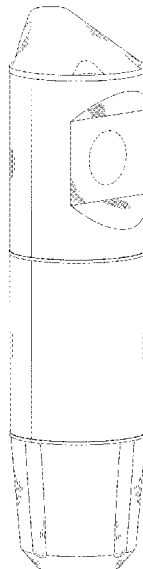
FIG. 1 is a perspective view of an enclosure for capture devices showing my new design;
 FIG. 2 is a front elevation view thereof;
 FIG. 3 is a back elevation view thereof;
 FIG. 4 is a right side elevation view thereof;
 FIG. 5 is a left side elevation view thereof;
 FIG. 6 is a top plan view thereof; and,
 FIG. 7 is a bottom plan view thereof.
 The broken lines shown in the drawings illustrating unclaimed portions of the enclosure for capture devices form no part of the claimed design.

(56) **References Cited**

U.S. PATENT DOCUMENTS

4,320,949	A	*	3/1982	Pagano	G08B 13/19632 219/520
D335,889	S	*	5/1993	Gibran	15/23
D380,676	S		7/1997	Holland		
D403,340	S	*	12/1998	Arbuckle	D16/203
D425,534	S		5/2000	Mutoh		
D501,494	S	*	2/2005	Ogura	D16/202

1 Claim, 7 Drawing Sheets



(56)

References Cited

U.S. PATENT DOCUMENTS

D842,358	S *	3/2019	Puric	D16/203
D849,112	S	5/2019	Katori	
D850,509	S	6/2019	Tsai	
D864,277	S	10/2019	Siminoff	
D870,791	S	12/2019	Hasani	
D875,736	S	2/2020	Ramones	
D878,380	S	3/2020	Siminoff	
D881,770	S	4/2020	Bachani	
D882,669	S	4/2020	Thompson	
D902,283	S *	11/2020	Kao	D16/208
11,306,861	B1 *	4/2022	Drost	G08B 13/19617
2022/0026782	A1 *	1/2022	Goldburt	F16M 11/123

* cited by examiner

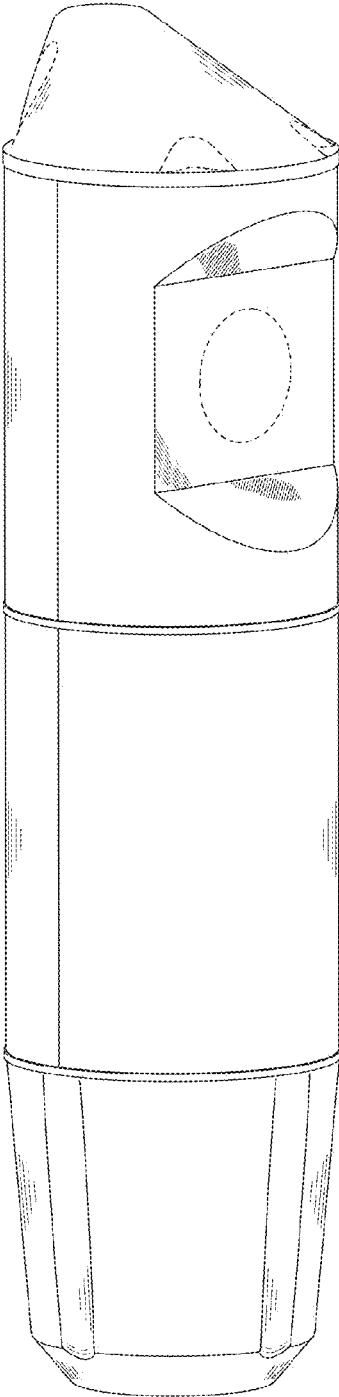


Fig 1

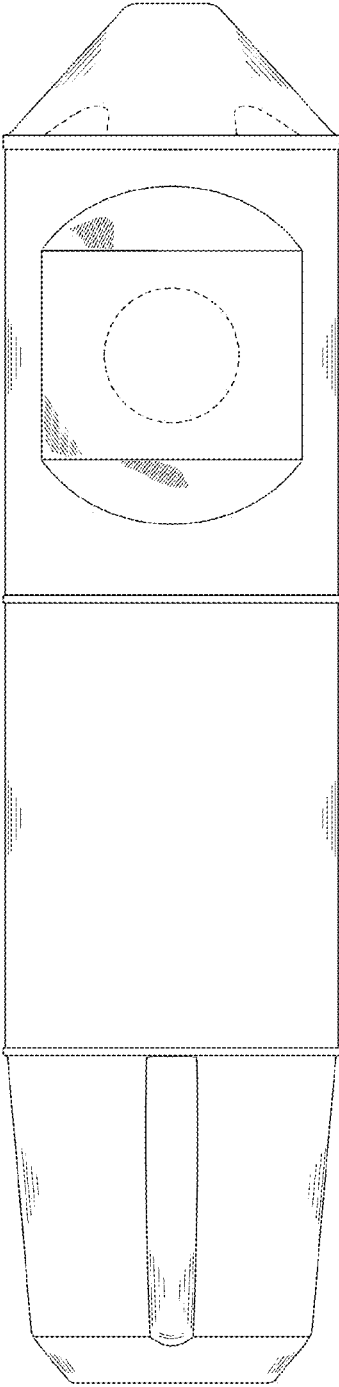


Fig 2

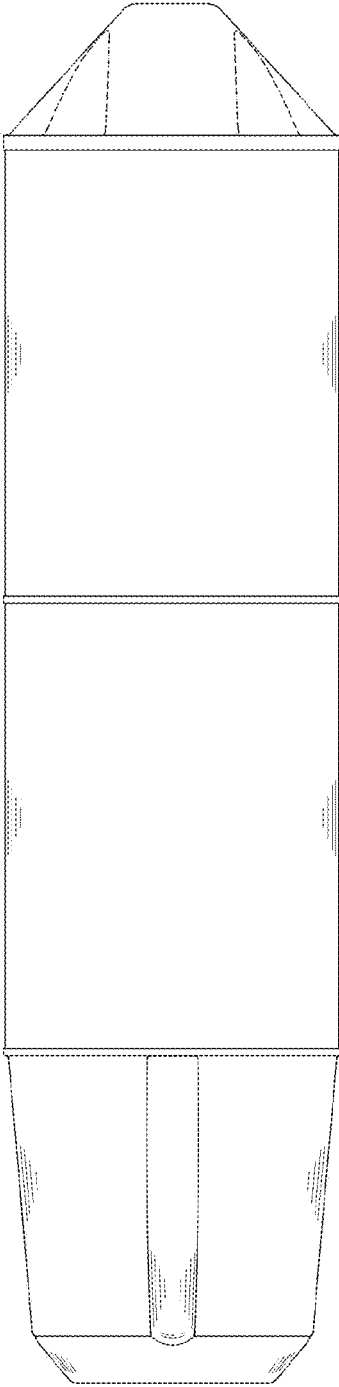


Fig 3

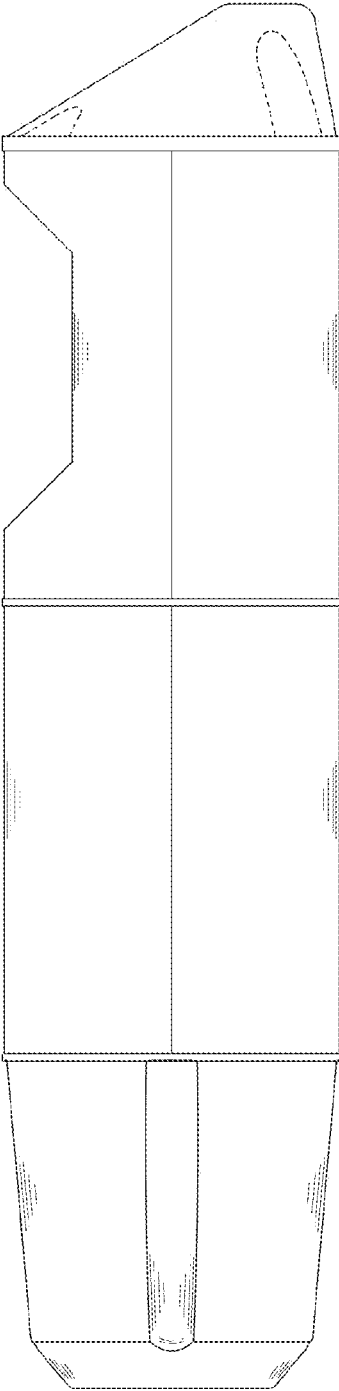


Fig 4

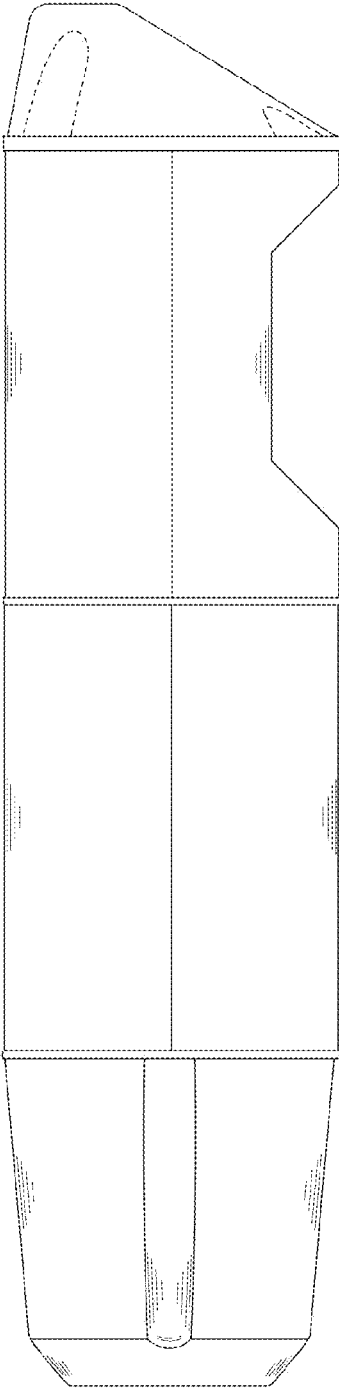


Fig 5

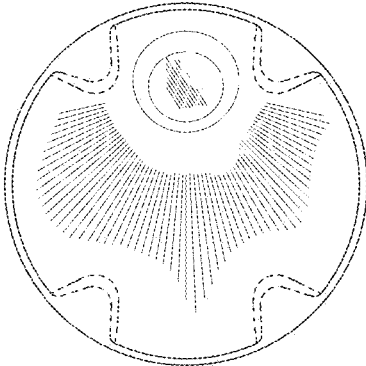


Fig 6

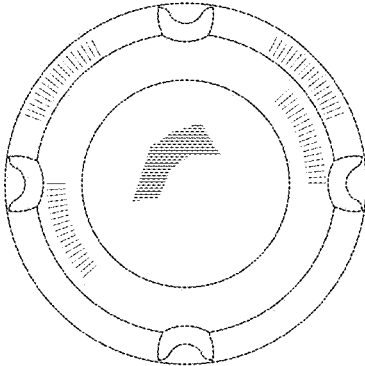


Fig 7