



US00D886214S

(12) **United States Design Patent**
Jones et al.

(10) **Patent No.:** **US D886,214 S**
(45) **Date of Patent:** **** Jun. 2, 2020**

- (54) **EXERCISE BAR**
- (71) Applicant: **Coulter Ventures, LLC.**, Columbus, OH (US)
- (72) Inventors: **Ahmik Jones**, Upper Arlington, OH (US); **James Carmichael**, Hilliard, OH (US)
- (73) Assignee: **Coulter Ventures, LLC.**, Columbus, OH (US)
- (**) Term: **15 Years**
- (21) Appl. No.: **29/712,719**
- (22) Filed: **Nov. 11, 2019**

- 3,857,561 A 12/1974 Cecchetti et al.
- D265,575 S 7/1982 Lunford
- 4,369,966 A * 1/1983 Silberman A63B 21/154 482/104
- 4,461,287 A 7/1984 Takahashi
(Continued)

OTHER PUBLICATIONS

Product listing for Rogue Rig Mount Parallel Bars from <https://web.archive.org/web/20170417164647/https://www.roguefitness.com/rogue-rig-mount-parallel-bars>, dated Apr. 17, 2017.
(Continued)

Primary Examiner — Ryan Harvey
(74) *Attorney, Agent, or Firm* — Banner & Witcoff, Ltd.

(57) **CLAIM**

The ornamental design for an exercise bar, as shown and described.

DESCRIPTION

FIG. 1 is a top, front, left perspective view of an exercise bar showing our new design;
FIG. 2 is a front view thereof;
FIG. 3 is a rear view thereof;
FIG. 4 is a left side view thereof;
FIG. 5 is a right side view thereof;
FIG. 6 is a top view thereof;
FIG. 7 is a bottom view thereof;
FIG. 8 is a bottom, front, left perspective view thereof; and, FIG. 9 is a top, rear, right perspective view thereof.
The broken lines showing the circular regions and the areas therein represent features that form no part of the claimed design. The broken lines depicting the remainder of the exercise bar show features that form no part of the claimed design. The exercise bar is shown with a symbolic break in its length. The appearance of any portion of the article between the break lines forms no part of the claimed design.

Related U.S. Application Data

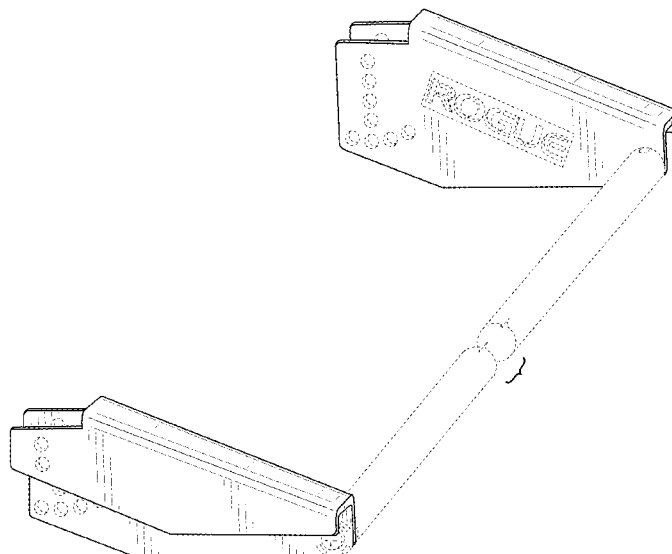
- (63) Continuation of application No. 29/695,482, filed on Jun. 19, 2019, now Pat. No. Des. 866,689, which is a continuation of application No. 29/643,308, filed on Apr. 6, 2018, now Pat. No. Des. 852,289.
- (51) **LOC (12) Cl.** **21-02**
- (52) **U.S. Cl.**
USPC **D21/679**
- (58) **Field of Classification Search**
USPC D21/694, 691, 679, 681; D6/681.1; 482/38, 40, 131, 140, 93, 97
CPC A63B 21/4035; A63B 21/4047; A63B 21/0628; A63B 23/0211; A63B 23/03525; A63B 21/068; A63B 23/1218; A63B 23/1209; A63B 1/00
See application file for complete search history.

References Cited

U.S. PATENT DOCUMENTS

- 2,673,737 A 3/1954 Daniels
- 3,006,643 A 10/1961 Ryan
- D212,193 S 9/1968 Rudy

1 Claim, 9 Drawing Sheets



(56)

References Cited

U.S. PATENT DOCUMENTS

D280,922 S 10/1985 Sieder
 4,638,995 A 1/1987 Wilson
 4,666,154 A 5/1987 Lipscomb et al.
 4,753,438 A 6/1988 Paris et al.
 D298,959 S 12/1988 DeGalvez
 D300,157 S 3/1989 Yates
 4,923,194 A 5/1990 Montgomery
 D320,823 S 10/1991 Tanner
 D320,824 S 10/1991 Cordon
 5,082,260 A 1/1992 Dinelli
 D324,708 S 3/1992 Walsh
 5,221,246 A 6/1993 Torii
 5,876,311 A 3/1999 Coates et al.
 6,422,982 B1 7/2002 Retel
 6,692,417 B2 2/2004 Burrell
 D503,757 S 4/2005 Sjurdagardi
 7,125,371 B2 10/2006 Henderson
 7,144,353 B2 12/2006 Sjuragari
 D554,209 S * 10/2007 Loucks D21/691
 7,534,200 B1 5/2009 Martinez
 7,651,449 B1 1/2010 Balentine
 7,662,067 B2 2/2010 Payne
 D613,804 S 4/2010 Perez
 D617,400 S 6/2010 Hetzel et al.
 D633,962 S 3/2011 Stacey
 8,021,273 B2 9/2011 Kopp
 D666,259 S 8/2012 Garcia
 D686,287 S 7/2013 Boatwright
 9,095,742 B2 8/2015 Henniger et al.
 D752,161 S 3/2016 Wartenbergh
 9,295,871 B2 * 3/2016 Luedeka A63B 21/4023
 9,327,153 B2 5/2016 Wallisch
 9,517,382 B2 12/2016 Payne
 D845,045 S * 4/2019 Dunahay D6/681.1
 D849,160 S * 5/2019 Lau D21/686

D850,543 S * 6/2019 Lau D21/686
 D852,289 S * 6/2019 Jones D21/679
 D854,635 S * 7/2019 Dunahay D21/679
 D862,136 S * 10/2019 Dunahay D6/675
 D866,689 S * 11/2019 Jones D21/694
 2002/0082145 A1 6/2002 Hamilton
 2005/0187083 A1 8/2005 Krystoff
 2009/0124471 A1 5/2009 Storch
 2010/0152007 A1 6/2010 Le et al.
 2013/0324383 A1 12/2013 Rogers
 2015/0014212 A1 1/2015 Beaver et al.
 2015/0290488 A1 10/2015 Hopperstad et al.
 2016/0129302 A1 5/2016 Vallo et al.
 2017/0209733 A1 7/2017 Beaver et al.
 2018/0326250 A1 11/2018 Henniger et al.
 2019/0046835 A1 * 2/2019 Henniger A63B 21/068

OTHER PUBLICATIONS

Photos of Rogue Rig Mount Parallel Bars from <https://web.archive.org/web/20170417164647/https://www.roguefitness.com/rogue-rig-mount-parallel-bars>, dated Apr. 17, 2017.
 Product listing for Rogue V2 Face Mount Pull-up Bar for Monster Lite from <https://web.archive.org/web/20161105161238/https://www.roguefitness.com/rogue-v2-face-mount-pull-up-bar-for-monster-lite>, dated Nov. 5, 2016.
 Photos of Titan 30" X-3 Parallel Bars, from <https://www.titan.fitness/30-x-3-parallel-bars.html>, dated Nov. 20, 2018, product known to be available prior to Apr. 6, 2018, but not prior to Apr. 17, 2017.
 Photos of Titan 24" T-3 Parallel Bars, from <https://www.titan.fitness/24-t-3-parallel-bars.html>, dated Nov. 20, 2018, product known to be available prior to Apr. 6, 2018, but not prior to Apr. 17, 2017.
 Photos of Titan 36" T-3 Parallel Bars, from <https://www.titan.fitness/36-t-3-parallel-bars.html>, dated Nov. 20, 2018, product known to be available prior to Apr. 6, 2018, but not prior to Apr. 17, 2017.

* cited by examiner

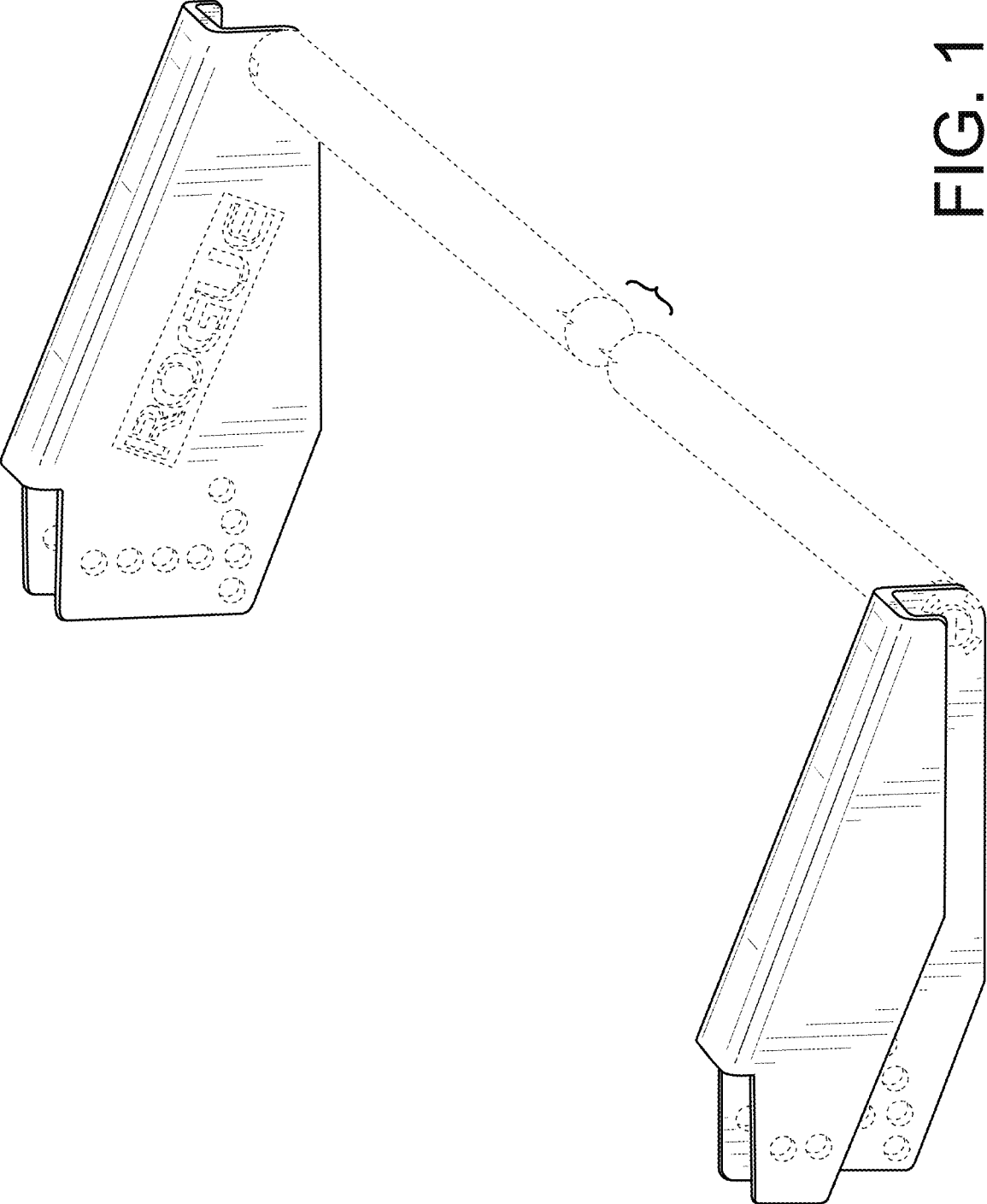


FIG. 1

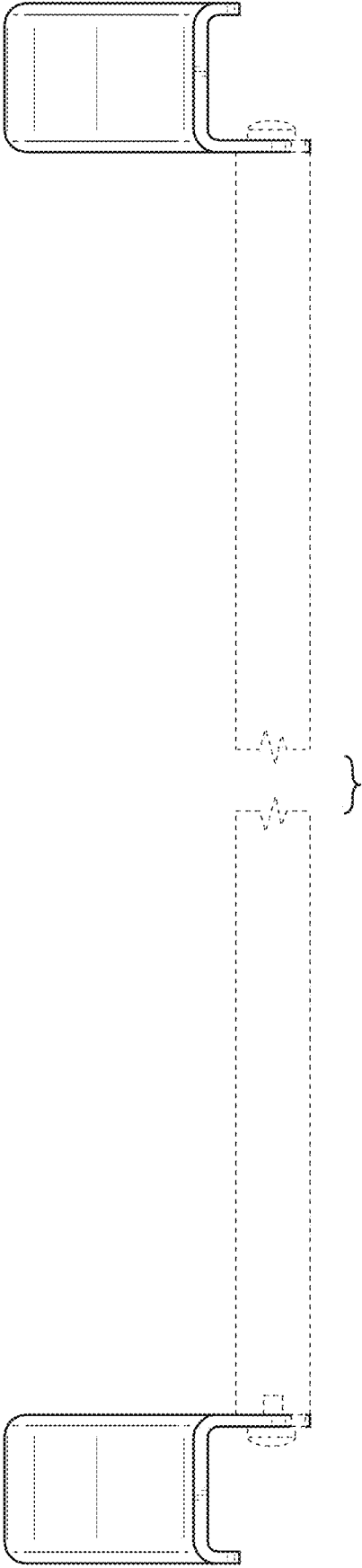


FIG. 2

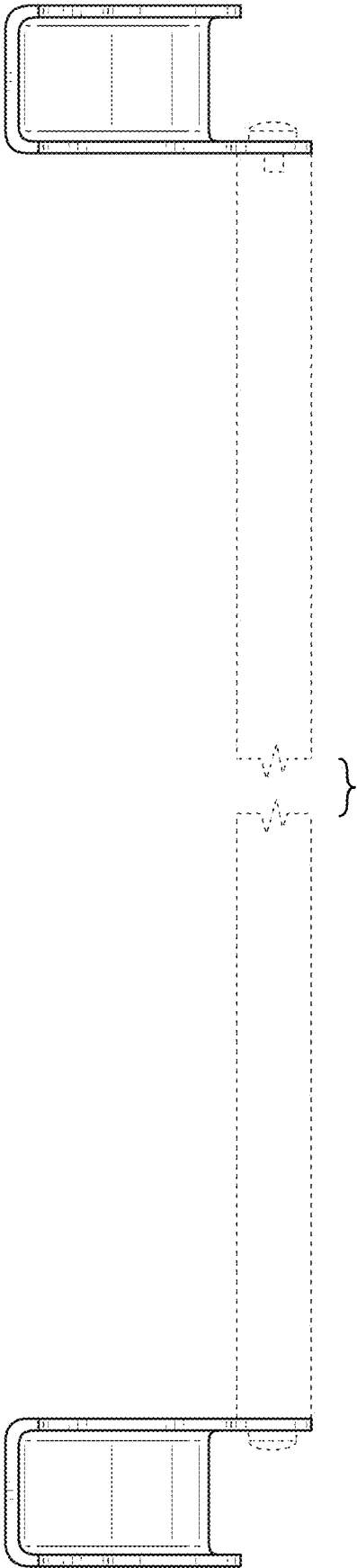


FIG. 3

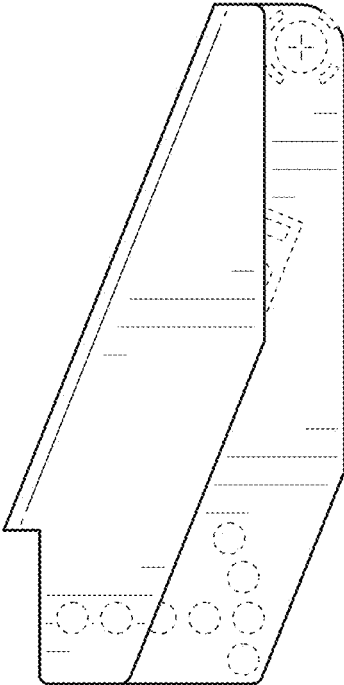


FIG. 4

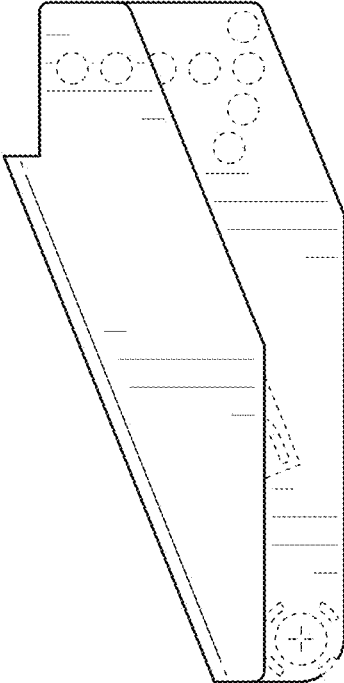


FIG. 5

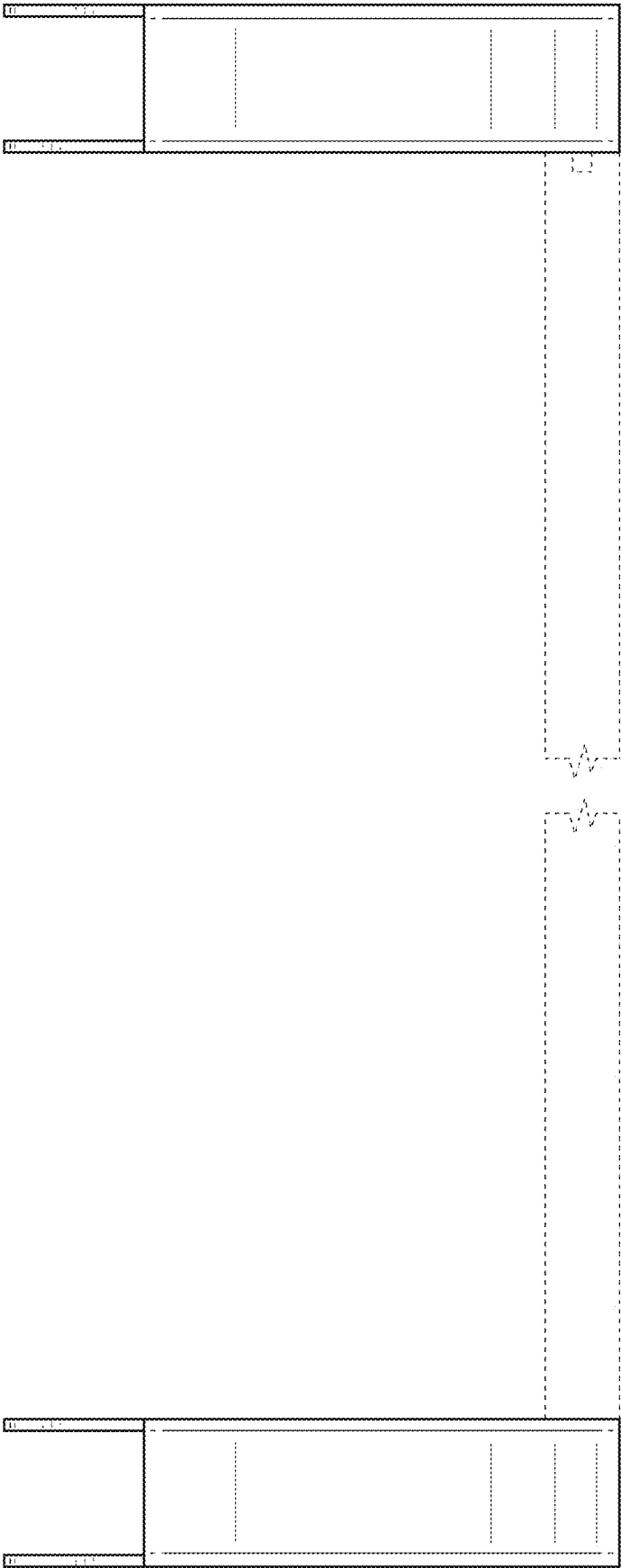


FIG. 6

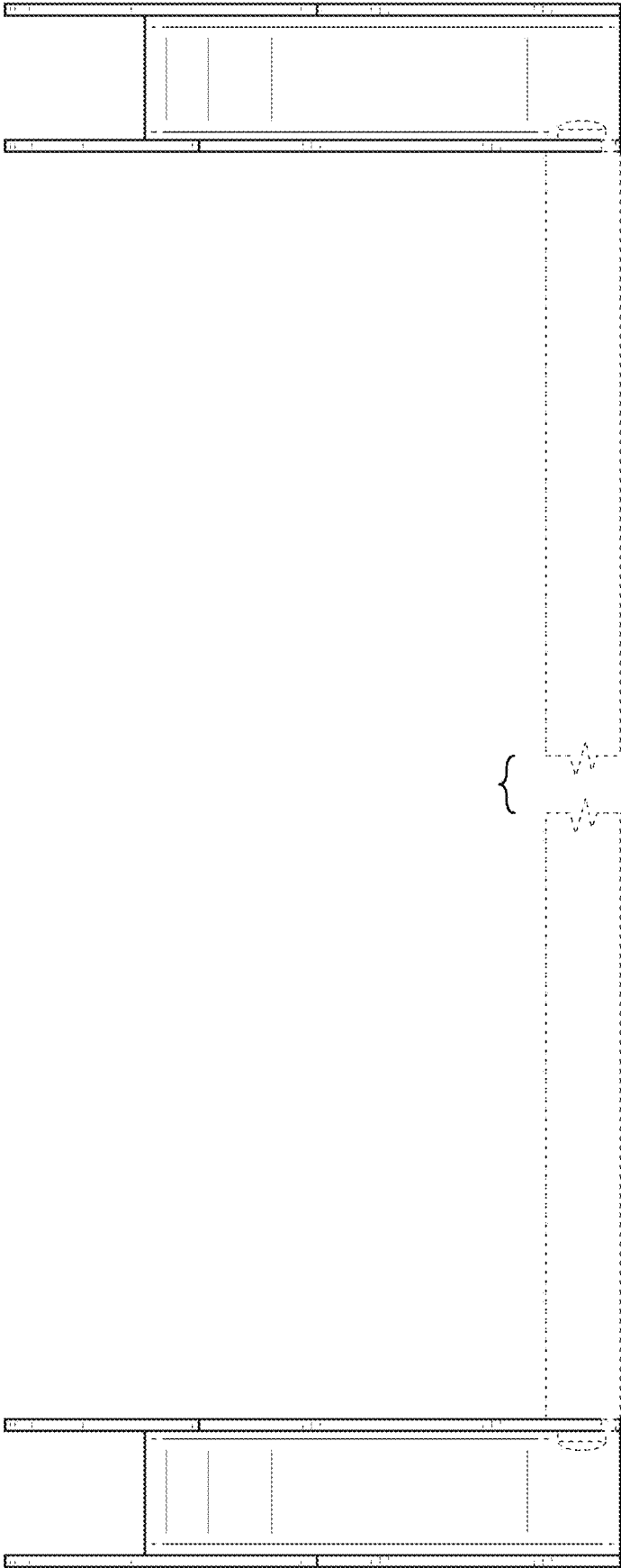


FIG. 7

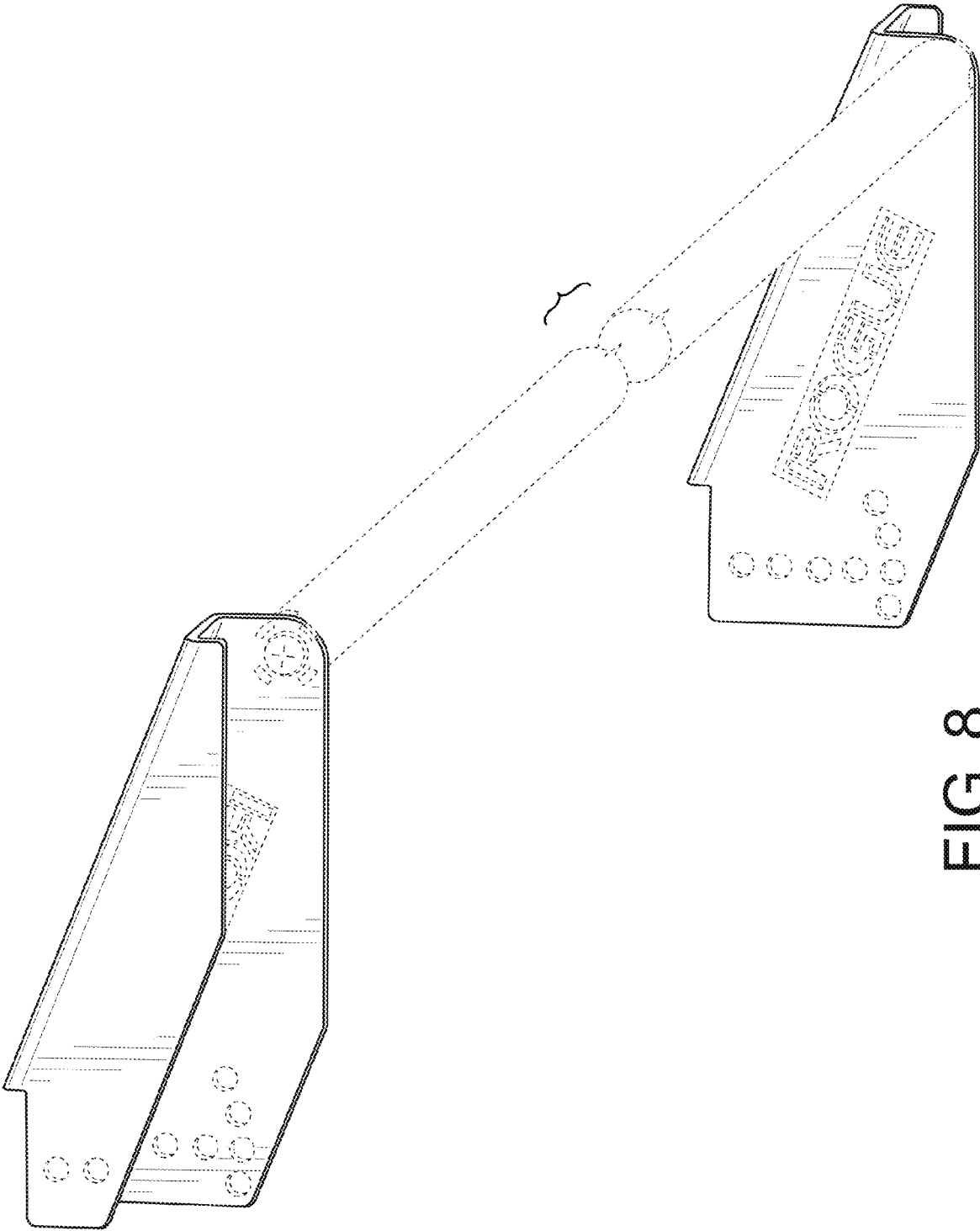


FIG. 8

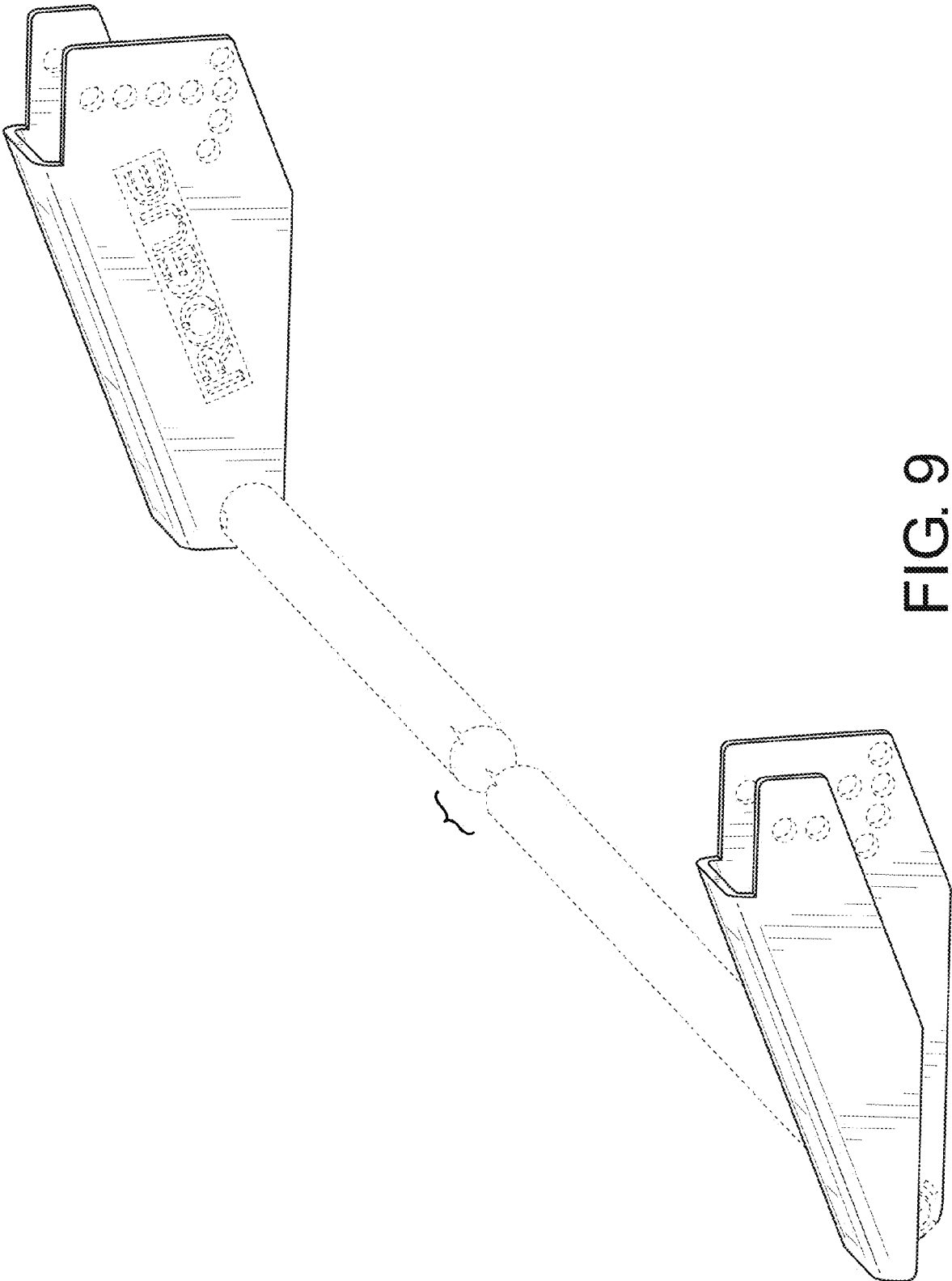


FIG. 9