



(12) **United States Design Patent**  
**Baylis**

(10) **Patent No.:** **US D837,006 S**  
(45) **Date of Patent:** **\*\* Jan. 1, 2019**

(54) **GLUE GUN**  
(71) Applicant: **STONERIDGE KITCHEN & BATH LLC, Rockland, MA (US)**  
(72) Inventor: **Steven P. Baylis, Rockland, MA (US)**  
(73) Assignee: **STONERIDGE KITCHEN & BATH LLC, Rockland, MA (US)**

D470,888 S 2/2003 Kuboshima  
6,807,704 B2 10/2004 Nishitani  
D511,077 S \* 11/2005 Huang ..... D8/14.1  
D514,408 S \* 2/2006 Melendy ..... D8/14.1  
D523,479 S 6/2006 Shimizu et al.  
D535,167 S \* 1/2007 Monfeli ..... D8/14.1  
7,775,403 B2\* 8/2010 Monfeli ..... B05C 17/00526  
219/242  
D635,835 S \* 4/2011 Post ..... D8/14.1  
D649,592 S 11/2011 Ariga et al.  
D654,375 S 2/2012 Kuboshima

(\*\*) Term: **15 Years**  
(21) Appl. No.: **29/604,470**

**OTHER PUBLICATIONS**

[No Author Listed], 3M Scotch-Weld EPX Applicator. KK\* Cooltools. Jan. 25, 2012, 4 pages. <http://web.archive.org/web/20150905175729/http://kk.org/cooltools/3m-scotch-weld/> [accessed Sep. 5, 2015 via archive.org].

(22) Filed: **May 17, 2017**  
(51) **LOC (11) Cl.** ..... **08-05**  
(52) **U.S. Cl.** ..... **D8/30**  
USPC ..... **D8/30**  
(58) **Field of Classification Search**  
USPC ..... D8/14, 14.1, 30, 29.1, 51  
CPC ..... B05C 17/0053; B05C 17/00546; B05C 17/00526; B05C 17/01  
See application file for complete search history.

(Continued)

*Primary Examiner* — Philip S Hyder  
(74) *Attorney, Agent, or Firm* — Wolf, Greenfield & Sacks, P.C.

(56) **References Cited**  
**U.S. PATENT DOCUMENTS**

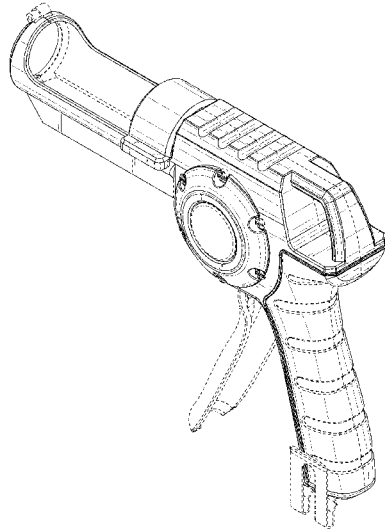
(57) **CLAIM**  
The ornamental design for a glue gun, as shown and described.

**DESCRIPTION**

- D82,640 S 11/1930 Lynch
- 3,266,079 A 8/1966 Schwartzman
- 3,523,628 A 8/1970 Colvin et al.
- D219,900 S 2/1971 van Lelyveld
- D289,968 S \* 5/1987 Somers ..... D8/14.1
- D292,672 S 11/1987 Duell
- D309,755 S 8/1990 Halm
- D341,227 S 11/1993 Lang et al.
- D352,451 S 11/1994 Linner
- 5,362,164 A \* 11/1994 Wingert ..... B05C 17/00526  
219/505
- 5,393,368 A 2/1995 Stevens
- D375,256 S 11/1996 Chadfield
- D398,204 S \* 9/1998 Lee ..... D8/14.1
- D402,404 S 12/1998 Tanaka et al.
- D406,992 S \* 3/1999 Cheng ..... D8/30

FIG. 1 is a perspective view of a glue gun showing my new design;  
FIG. 2 is a front elevation view thereof;  
FIG. 3 is a back elevation view thereof;  
FIG. 4 is a right side elevation view thereof;  
FIG. 5 is a left side elevation view thereof;  
FIG. 6 is a top elevation view thereof; and,  
FIG. 7 is a bottom elevation view thereof.  
The broken lines represent portions of the glue gun that form no part of the claimed design.

**1 Claim, 7 Drawing Sheets**



(56)

**References Cited**

## U.S. PATENT DOCUMENTS

D655,621 S	3/2012	Py et al.	
D716,658 S	11/2014	Sillince	
D734,168 S	7/2015	Rajaiah et al.	
D745,742 S	12/2015	Betts	
D776,337 S	1/2017	Levin et al.	
D793,193 S *	8/2017	Lee .....	D8/30
D805,079 S	12/2017	Han et al.	
D810,197 S	2/2018	Parekh	
2017/0080449 A1*	3/2017	Lee .....	B05C 17/0053
2018/0169694 A1*	6/2018	Baylis .....	B05C 17/00576

## OTHER PUBLICATIONS

[No Author Listed], Heavy Duty Glue Gun—300 Watt. Uline.  
[https://www.uline.com/Product/Detail/H-1903/Glue-Guns-and-Glue-Sticks/Heavy-Duty-Glue-Gun-300-Watt?pricode=WA9057&gadtype=pla&id=H-1903&gclid=EA1aIQobChMIn87Ojc\\_Z1QIVg7fACh0mTwgWEAQYASABEgJ8RvD\\_BwE&gclsrc=aw.ds](https://www.uline.com/Product/Detail/H-1903/Glue-Guns-and-Glue-Sticks/Heavy-Duty-Glue-Gun-300-Watt?pricode=WA9057&gadtype=pla&id=H-1903&gclid=EA1aIQobChMIn87Ojc_Z1QIVg7fACh0mTwgWEAQYASABEgJ8RvD_BwE&gclsrc=aw.ds) [available as early as Feb. 9, 2014 via archive.org].  
U.S. Appl. No. 29/604,475, filed May 17, 2017, Baylis.  
U.S. Appl. No. 29/604,479, filed May 17, 2017, Baylis.

\* cited by examiner

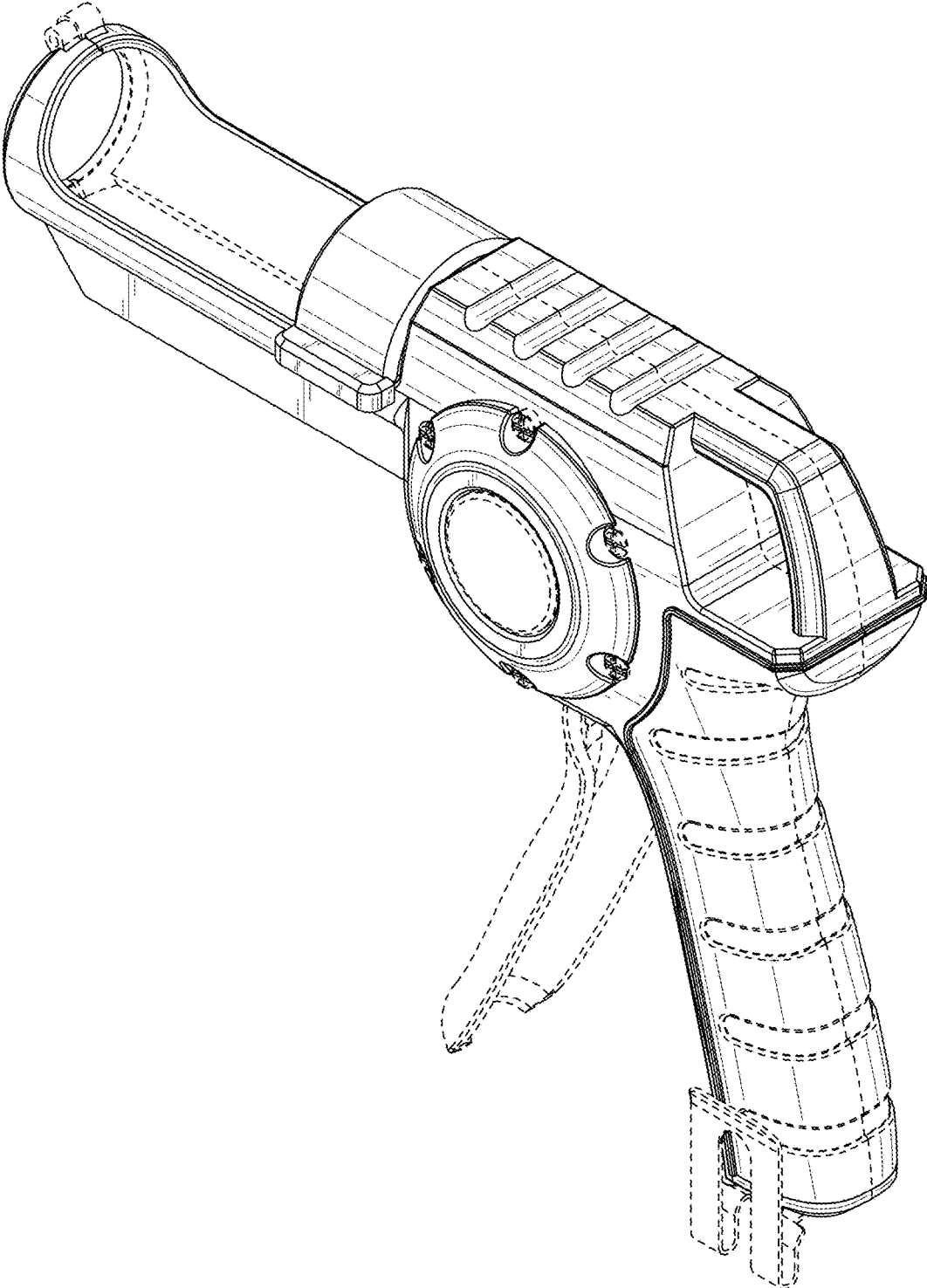


FIG. 1

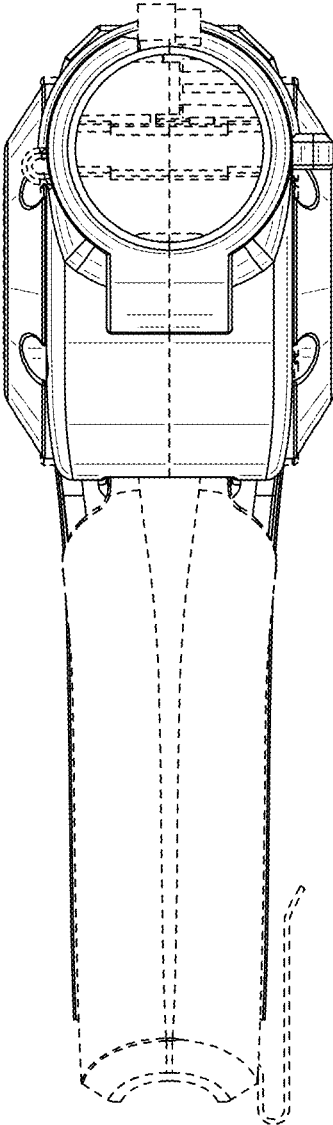


FIG. 2

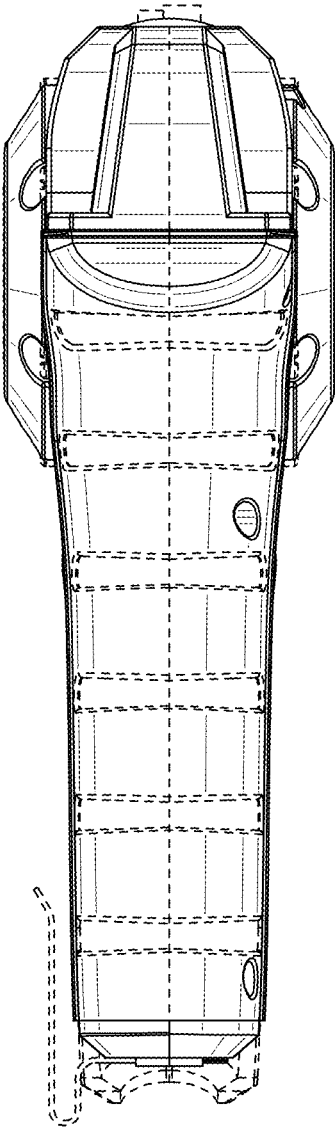


FIG. 3

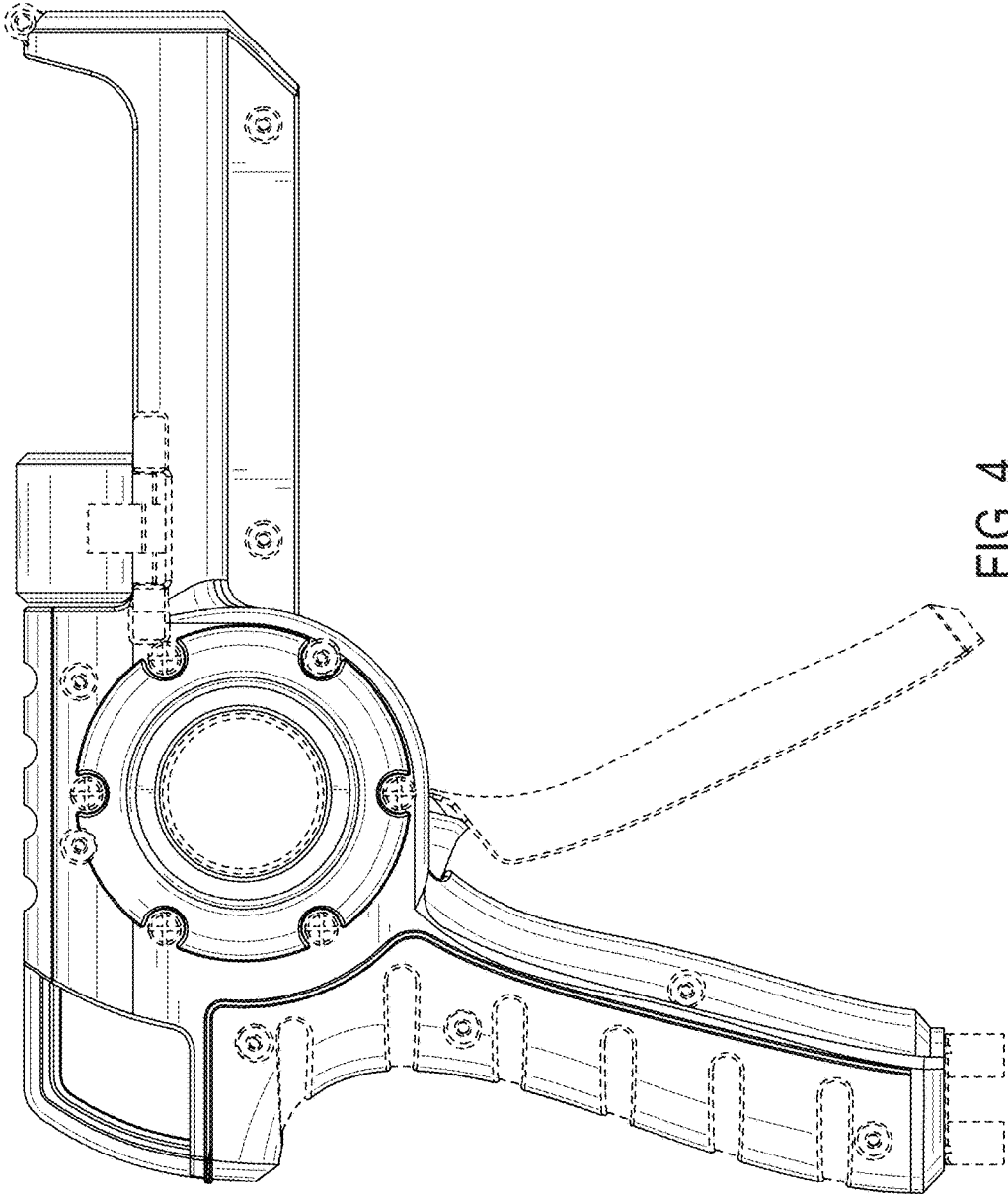


FIG. 4

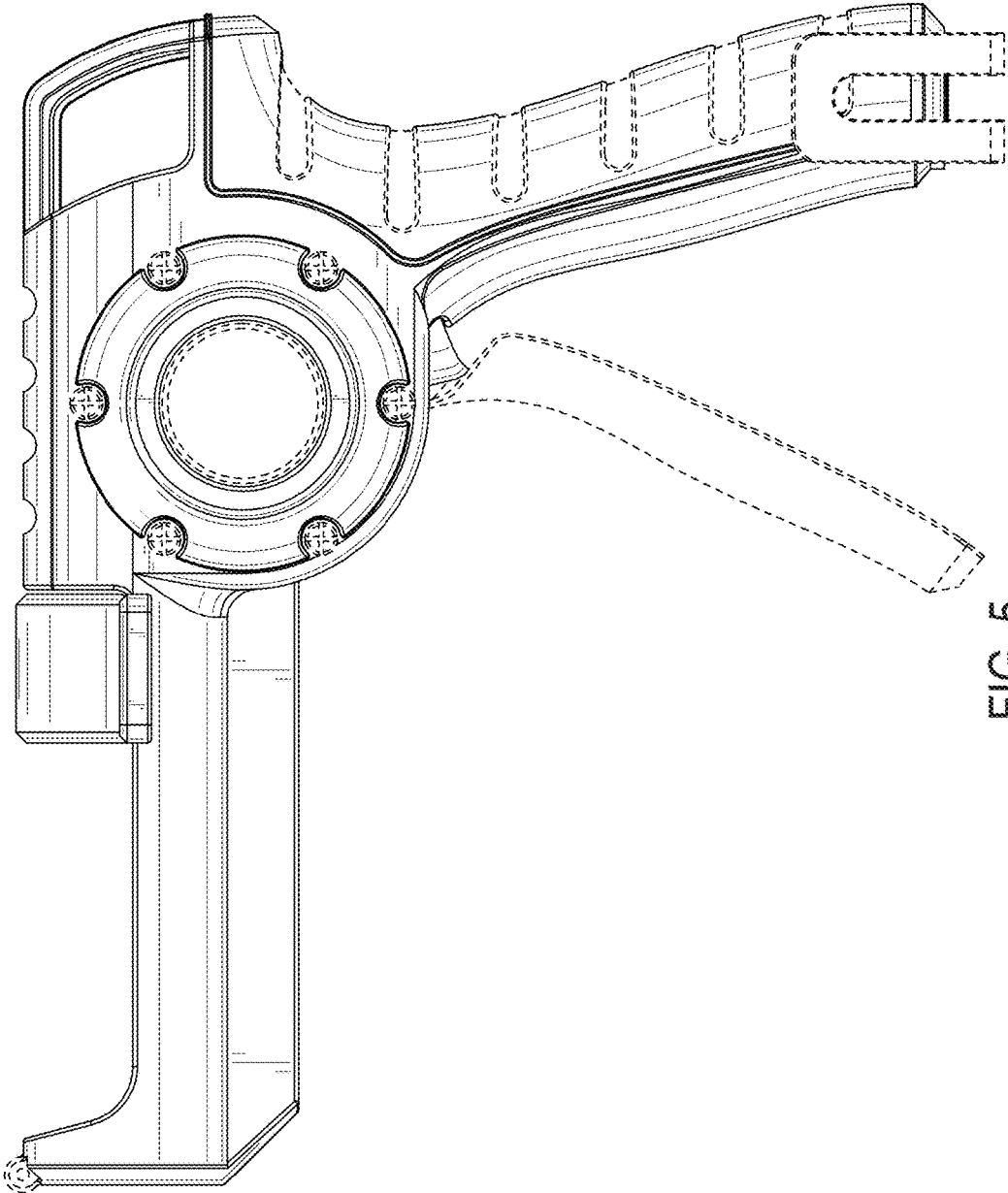


FIG. 5

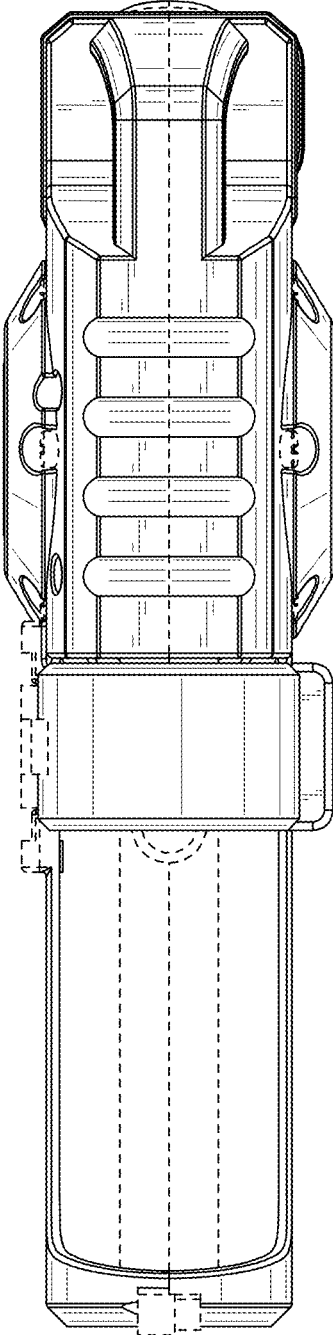


FIG. 6



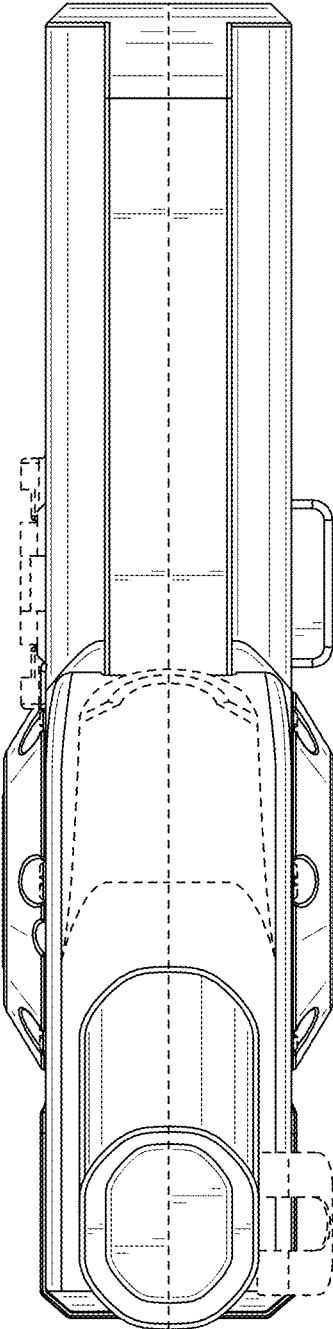


FIG. 7