



US00D563994S

(12) **United States Design Patent**
Liu et al.

(10) **Patent No.:** **US D563,994 S**
(45) **Date of Patent:** **** Mar. 11, 2008**

(54) **NETWORK ATTACHED STORAGE**

(75) Inventors: **Calvin Y. Liu**, Irvine, CA (US);
Hung-Bing Chen, Tustin, CA (US)

(73) Assignee: **Cisco Technology, Inc.**, San Jose, CA (US)

(**) Term: **14 Years**

(21) Appl. No.: **29/250,435**

(22) Filed: **Nov. 14, 2006**

(51) **LOC (8) Cl.** **14-03**

(52) **U.S. Cl.** **D14/496; D14/356**

(58) **Field of Classification Search** D14/496,
D14/356, 432, 168, 188, 217, 299; D13/184;
273/148 R, 148 B; 463/1, 46, 47, 42, 43;
369/1, 75.11, 12, 13.01; 361/683-686, 629,
361/724; 360/131, 132; 709/223, 227, 213;
710/1, 8; 370/464

See application file for complete search history.

(56) **References Cited**

U.S. PATENT DOCUMENTS

- D425,495 S * 5/2000 Chiodo et al. D14/356
- D461,187 S * 8/2002 Andre et al. D14/356
- D461,804 S * 8/2002 Carey et al. D14/356
- 6,821,204 B2 * 11/2004 Aonuma et al. 463/32

- D525,972 S * 8/2006 Liu D14/356
- 7,127,798 B1 * 10/2006 Reger et al. 29/603.03
- 7,139,809 B2 * 11/2006 Husain et al. 709/213
- D541,273 S * 4/2007 Wang D14/356
- D543,543 S * 5/2007 Ng et al. D14/356
- 7,245,632 B2 * 7/2007 Heffernan et al. 370/465
- D551,652 S * 9/2007 Nakamura D14/156
- 7,269,006 B2 * 9/2007 Miyamoto et al. 361/687
- 7,275,097 B2 * 9/2007 Peake et al. 709/223

* cited by examiner

Primary Examiner—Prabhakar Deshmukh

(74) *Attorney, Agent, or Firm*—MacPherson Kwok Chen & Heid LLP; Tom Chen

(57) **CLAIM**

The ornamental design for a network attached storage, as shown and described.

DESCRIPTION

FIG. 1 is a top front perspective view of a network attached storage showing our new design;

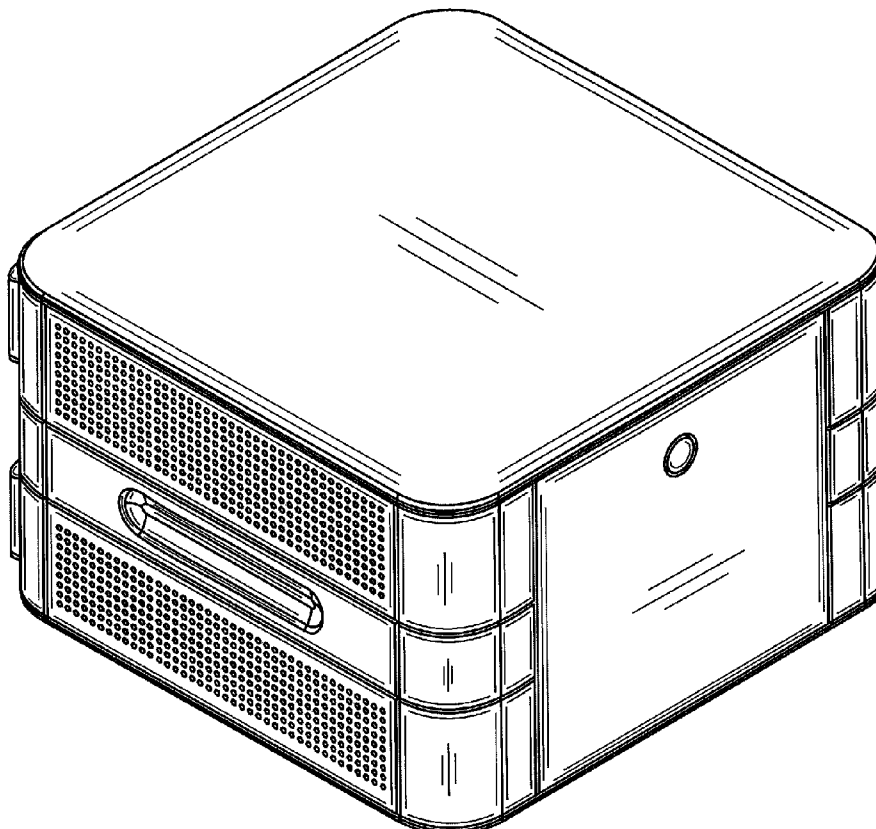
FIG. 2 is a top back perspective view thereof;

FIG. 3 is a front view thereof;

FIG. 4 is a back view thereof; and,

FIG. 5 is a bottom front perspective view thereof.

1 Claim, 4 Drawing Sheets



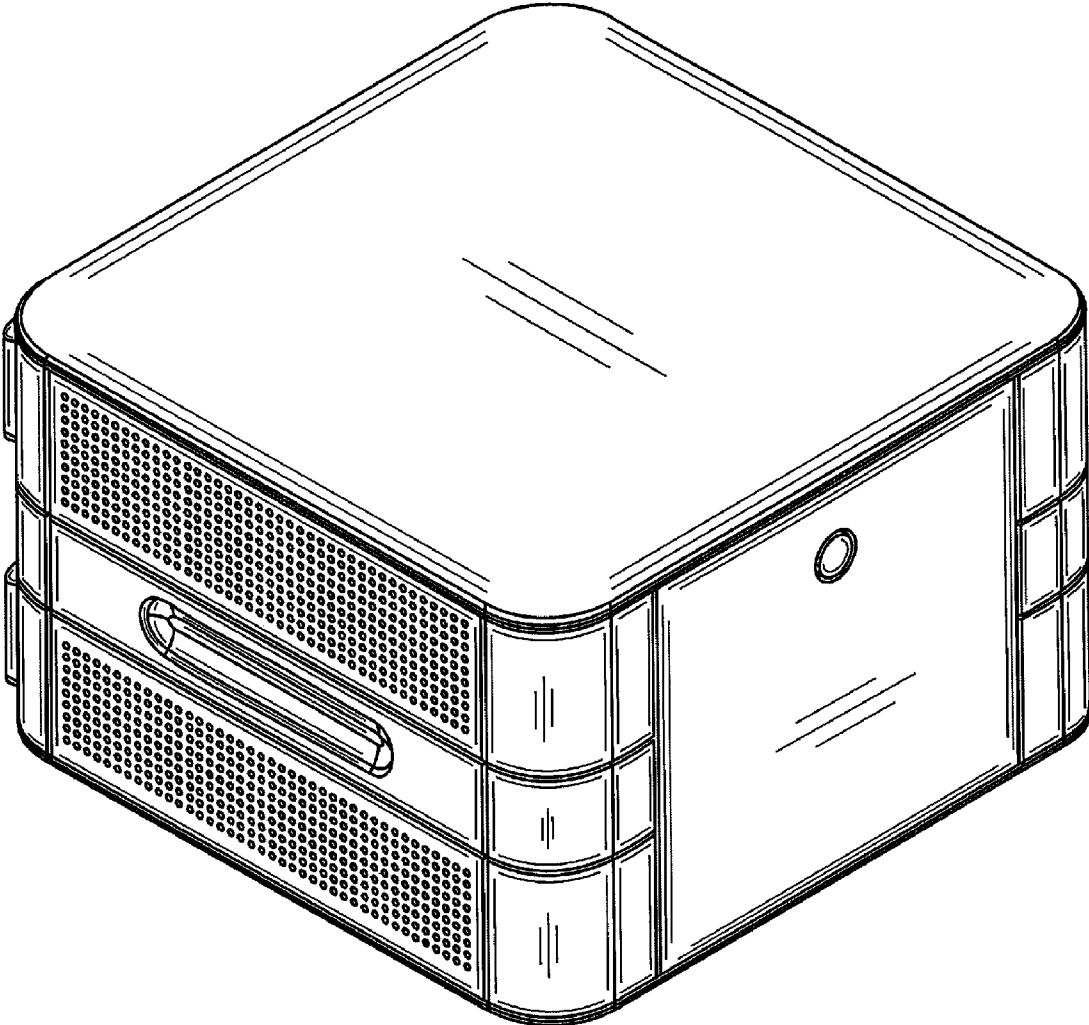


FIG. 1

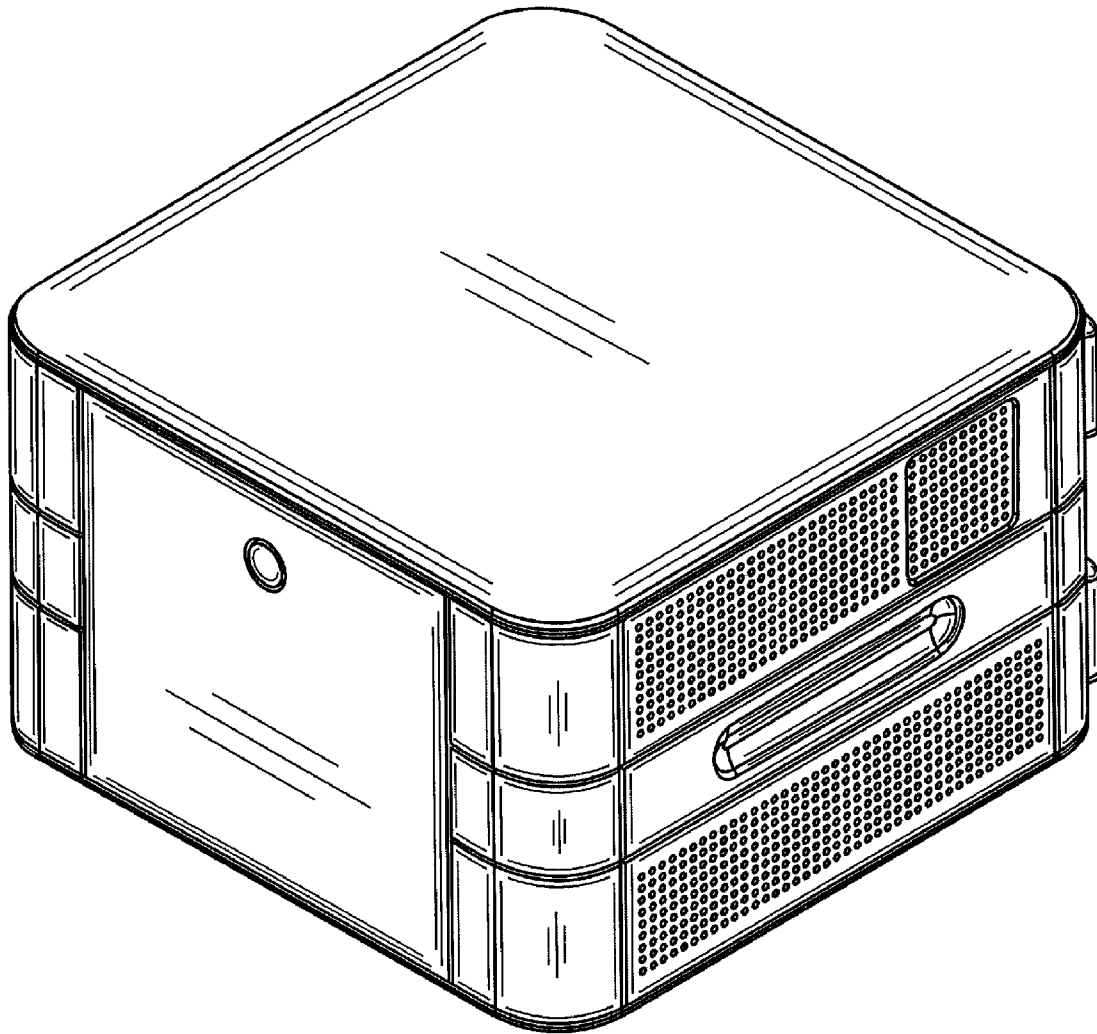


FIG. 2

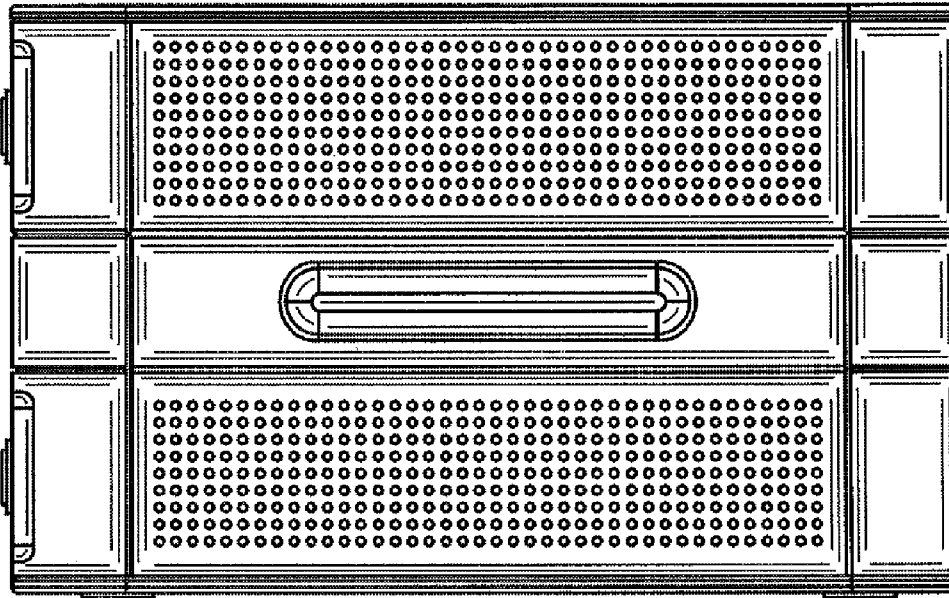


FIG. 3

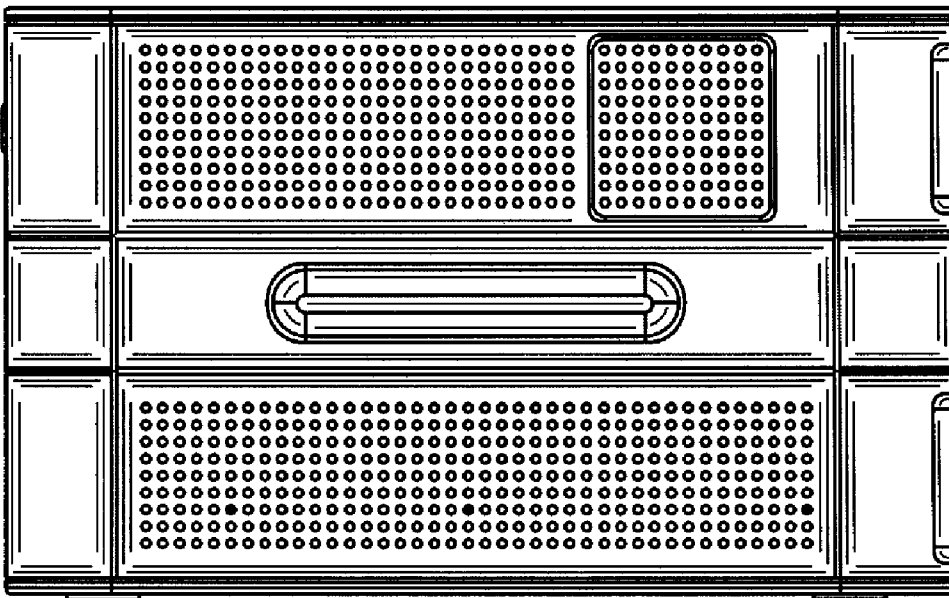


FIG. 4

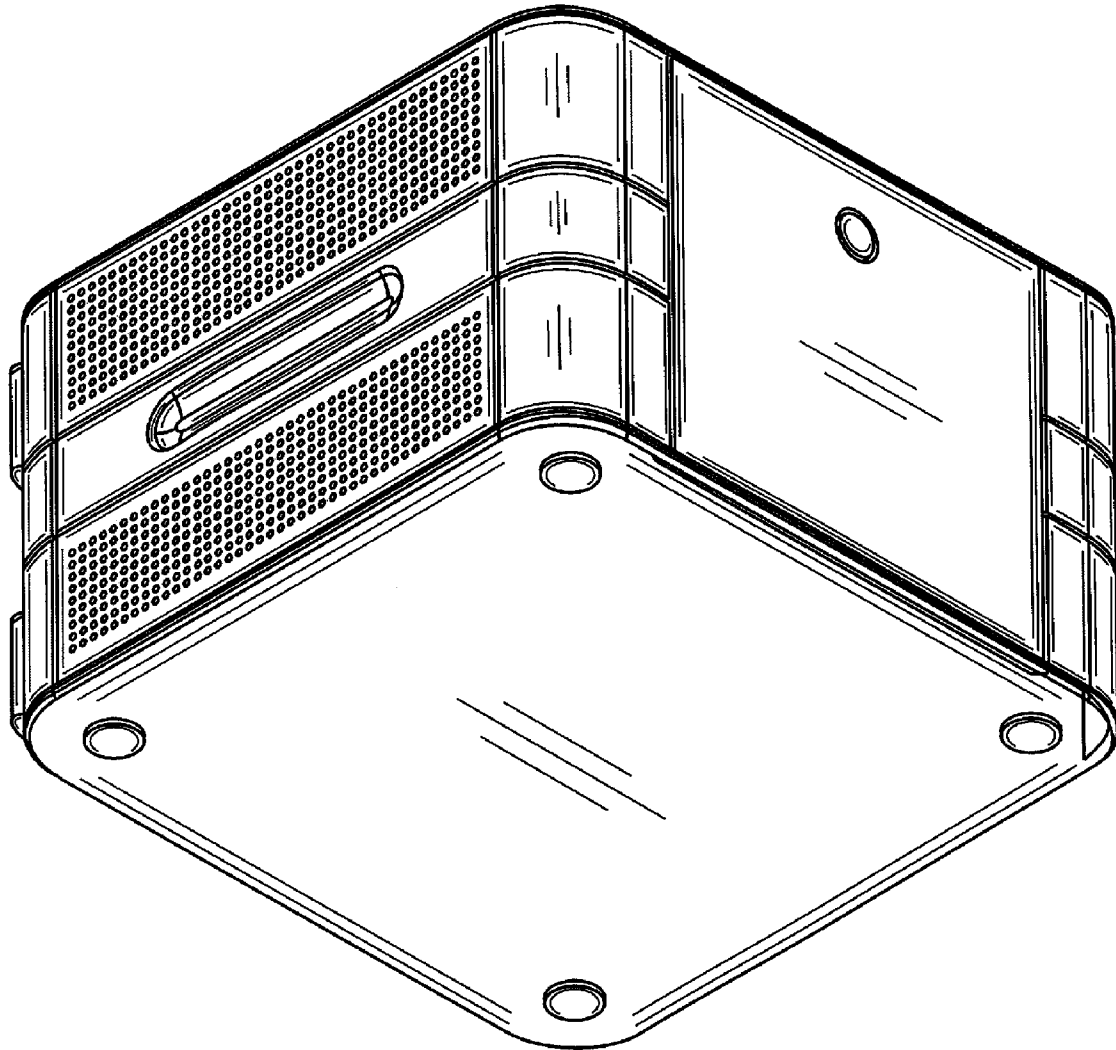


FIG. 5