

- [54] **GARDEN UTENSIL**
- [75] **Inventors: Franco Clivio, Ulm; Dieter Raffler, Neu-Ulm, both of Fed. Rep. of Germany**
- [73] **Assignee: GARDENA Kress + Kastner GmbH, Fed. Rep. of Germany**
- [\*\*] **Term: 14 Years**
- [21] **Appl. No.: 467,381**
- [22] **Filed: Feb. 17, 1983**
- [30] **Foreign Application Priority Data**  
 Aug. 17, 1982 [DE] Fed. Rep. of Germany ..... GRA III 1354/82
- [52] **U.S. Cl. .... D8/11; D8/13**
- [58] **Field of Search ..... D8/1-13, D8/23, 300, 303, 313, 321; 172/375, 371, 378; 16/329, 110 R, 110 A; 294/49, 57; 56/400.04, 400.05**

- [56] **References Cited**  
**U.S. PATENT DOCUMENTS**

87,368	3/1869	Ross .....	172/375
D. 101,826	11/1936	Sinko .....	D8/312
D. 108,043	1/1938	Wallace .....	D8/6
D. 198,197	5/1964	Utz et al. ....	D8/303
D. 200,186	1/1965	Kelly .....	D23/28
D. 200,186	1/1965	Kelly .....	D23/28
D. 220,466	4/1971	Hart .....	D8/1
D. 240,367	6/1976	Cope .....	D8/303

- D. 251,954 5/1979 Raffler et al. .... D8/1
- D. 251,954 5/1979 Raffler et al. .... D8/1
- D. 258,861 4/1981 Bralton et al. .... D8/303
- D. 268,517 4/1983 Thompson .....

**OTHER PUBLICATIONS**

Patent Journal, Union of South Africa, Mar. 1978, p. 12; Publ. #77/2438, Kross et al. Improvement in Implementments.  
 Patent Journal, Union of South Africa, Mar. 1978; p. 126; Publ's. Nos. 77/2437 and 2438; Hoe Bladefork (2437) & Element Nos. 34831 (2438).  
 New GARDENA Combisystem -1977, Morgen Hoe & Fork, pp. 3, 6, 8 pp. 11, 16.

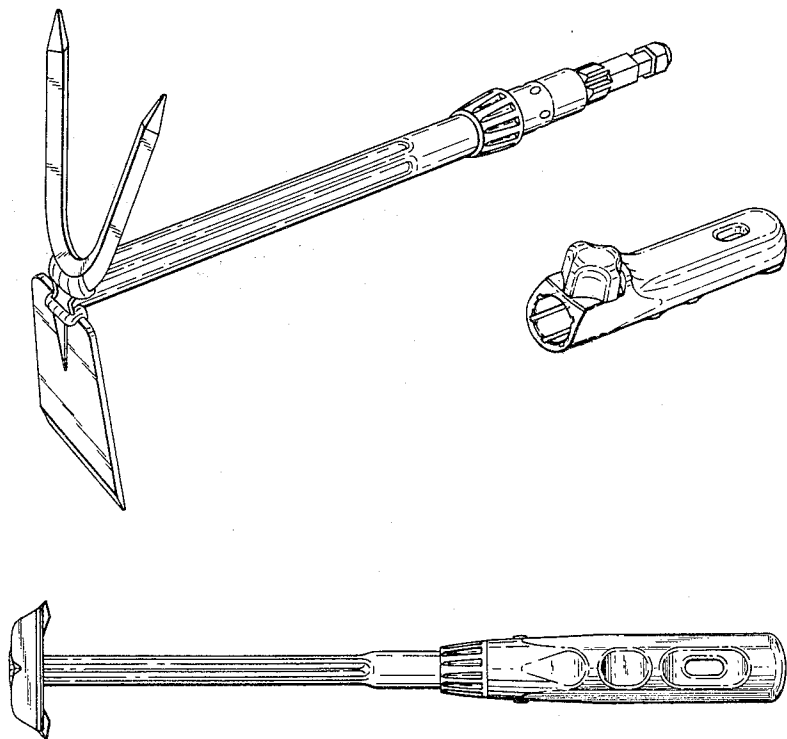
*Primary Examiner*—Wallace R. Burke  
*Assistant Examiner*—Horace B. Fay  
*Attorney, Agent, or Firm*—Steele, Gould & Fried

[57] **CLAIM**

The ornamental design for a garden utensil, as shown or described.

**DESCRIPTION**

FIG. 1 is a perspective side view of a garden utensil showing our new design;  
 FIG. 2 is a similar perspective view thereof with the utensil's hand grip shown detached from the handle;  
 FIG. 3 is a side elevational view thereof;  
 FIG. 4 is a top plan view thereof;  
 FIG. 5 is a front end elevational view thereof;  
 FIG. 6 is a rear end elevational view thereof; and  
 FIG. 7 is a bottom plan view thereof.



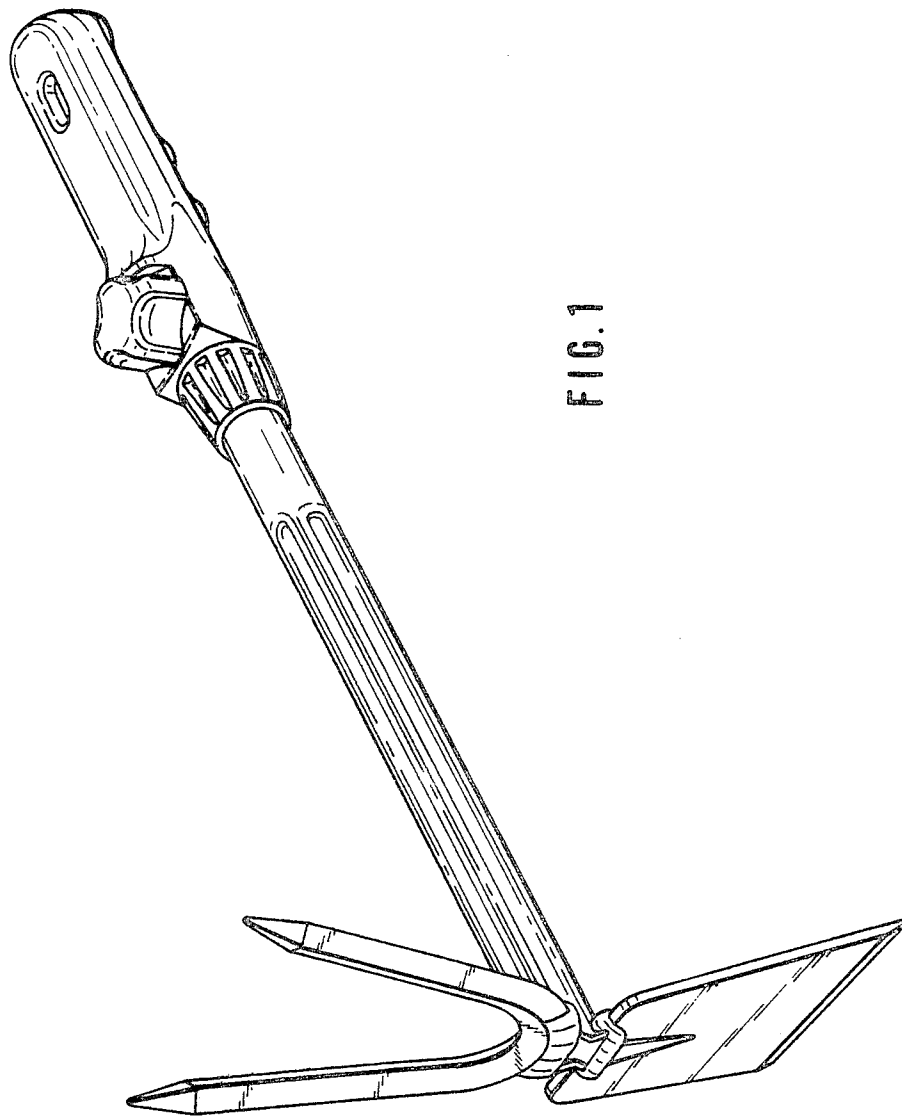


FIG. 1

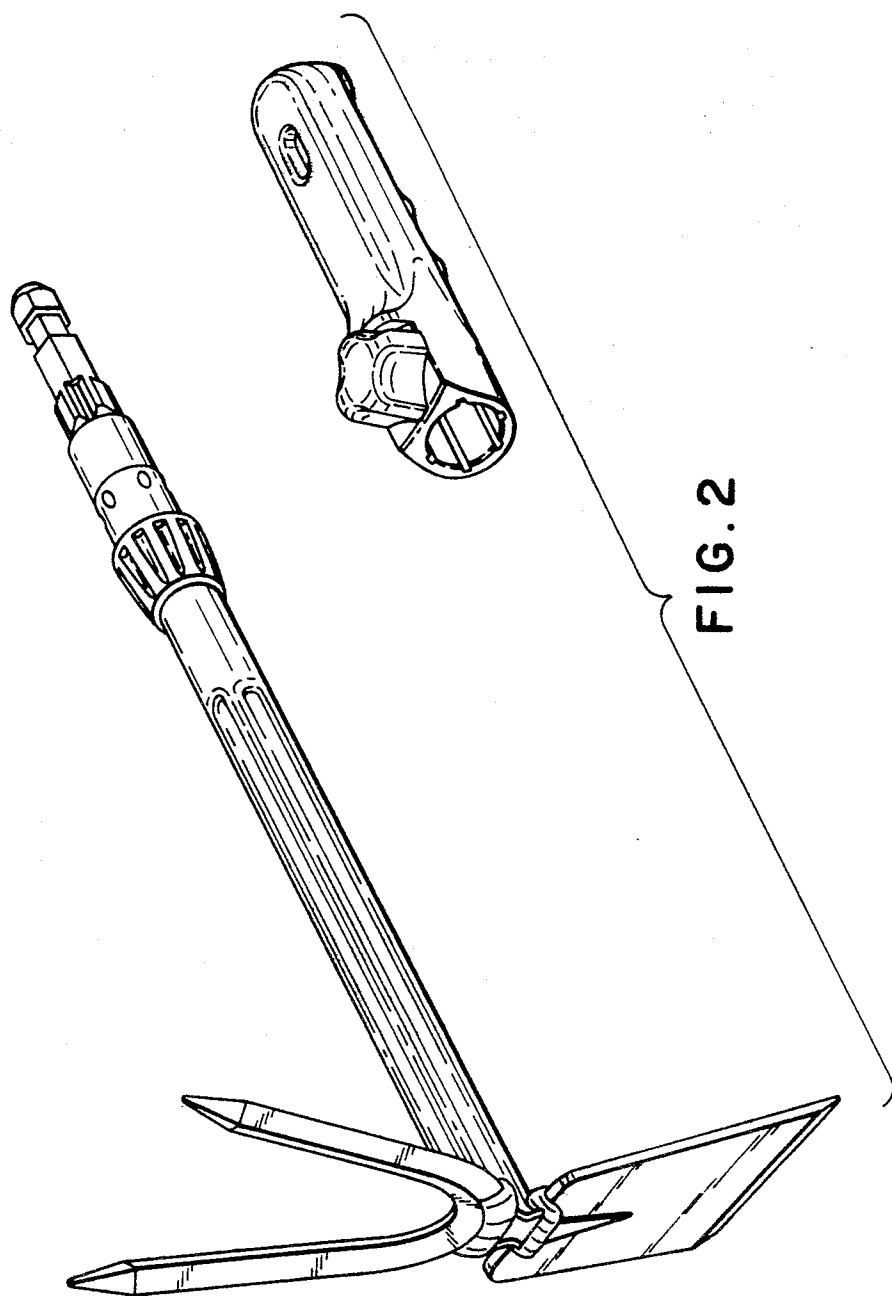


FIG. 2

FIG. 3

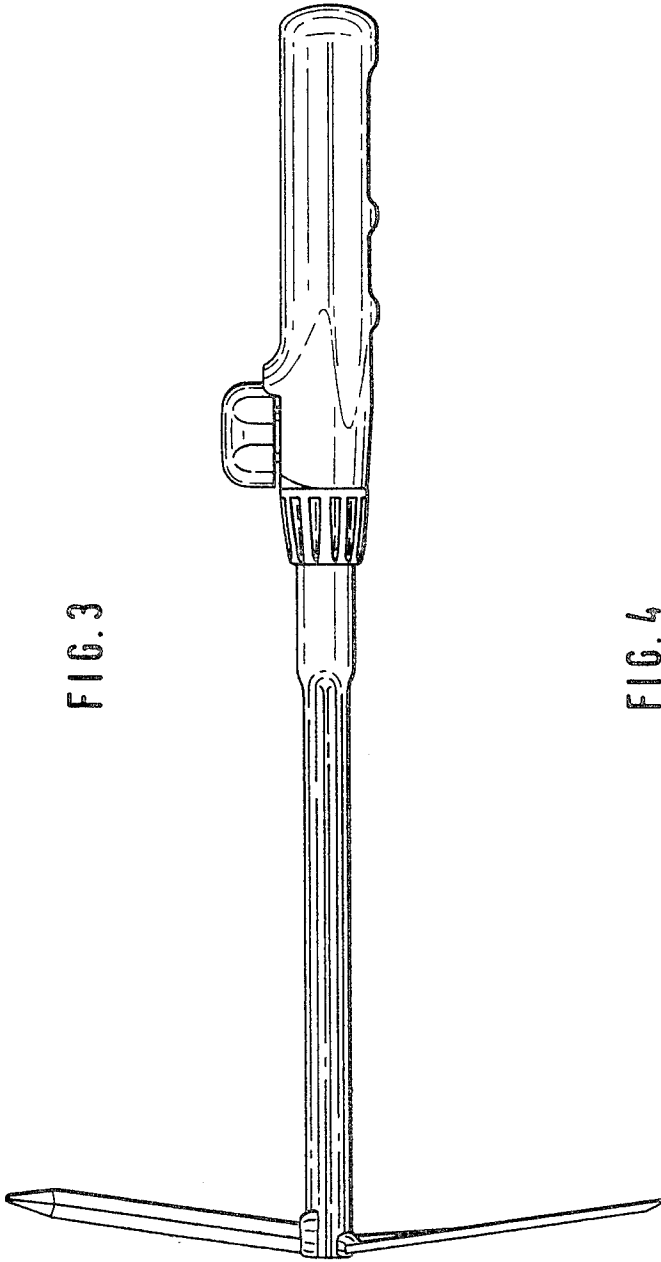
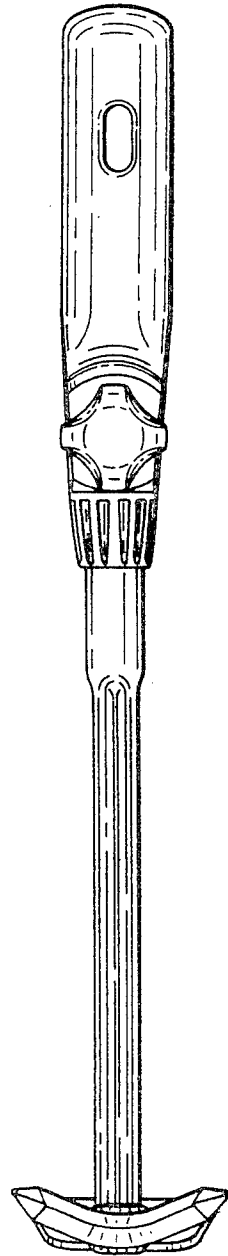


FIG. 4



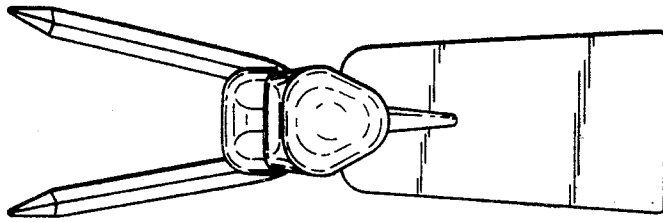


FIG. 6

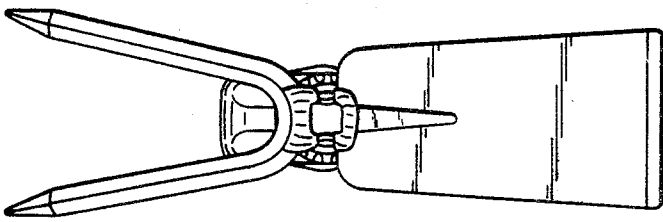


FIG. 5

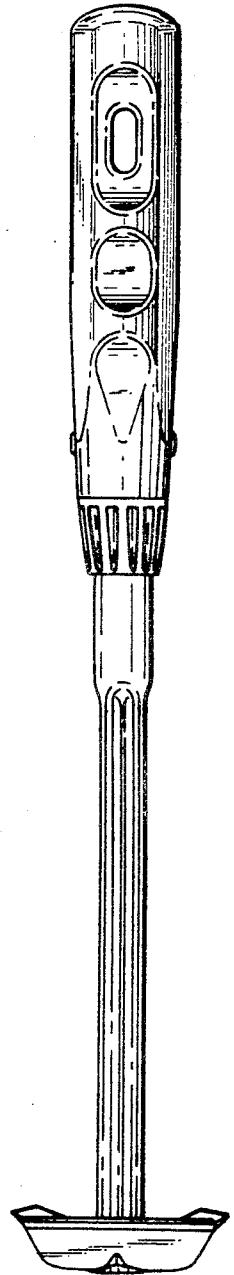


FIG. 7