



- (51) International Patent Classification:
A45D 1/04 (2006.01) A45D 1/28 (2006.01)
A45D 2/00 (2006.01)
- (21) International Application Number:
PCT/GB2013/050036
- (22) International Filing Date:
10 January 2013 (10.01.2013)
- (25) Filing Language: English
- (26) Publication Language: English
- (30) Priority Data:
1200337.2 10 January 2012 (10.01.2012) GB
1214875.5 21 August 2012 (21.08.2012) GB
- (71) Applicant: JEMELLA LIMITED [GB/GB]; Bridgewater Place, Water Lane, Leeds LS11 5BZ (GB).
- (72) Inventors: WEATHERLY, Robert Alexander; 23 High Street, Hinxton, Cambridge, Cambridgeshire CB10 1QY (GB). BRADY, Daniel; 2 Church House, Church Road, Old Windsor, Berkshire SL4 2JW (GB). SAYERS, Steve; 25 Brook End, Weston Turville, Buckinghamshire HP22 5RF (GB). GAGIANO, Mark Andrew; 7 Bramble Court, Great Cambourne, Cambridge, Cambridgeshire CB23 6HN (GB). MOORE, Timothy David; 1 Curlew Crescent, Royston, Hertfordshire SG8 7XP (GB). CLEMENTS, Jeremy Peter; 129 Station Road, Willingham, Cambridge, Cambridgeshire CB24 5HG (GB). SCOTT, Paul; 4 New School Road, Histon, Cambridgeshire CB24 9LL (GB).

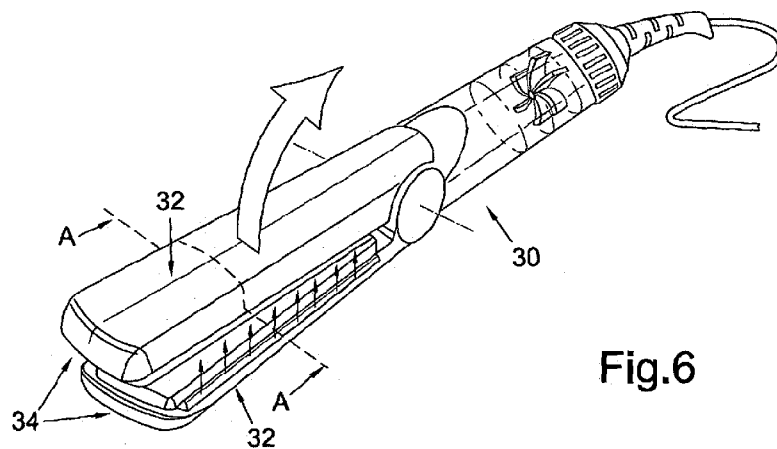
BAKER, James; 27 Six Mile Bottom Road, West Wrating, Cambridge, Cambridgeshire CB21 5NE (GB).

- (74) Agent: MARKS & CLERK LLP; 62-68 Hills Road, Cambridge, Cambridgeshire CB2 1LA (GB).
- (81) Designated States (unless otherwise indicated, for every kind of national protection available): AE, AG, AL, AM, AO, AT, AU, AZ, BA, BB, BG, BH, BN, BR, BW, BY, BZ, CA, CH, CL, CN, CO, CR, CU, CZ, DE, DK, DM, DO, DZ, EC, EE, EG, ES, FI, GB, GD, GE, GH, GM, GT, HN, HR, HU, ID, IL, IN, IS, JP, KE, KG, KM, KN, KP, KR, KZ, LA, LC, LK, LR, LS, LT, LU, LY, MA, MD, ME, MG, MK, MN, MW, MX, MY, MZ, NA, NG, NI, NO, NZ, OM, PA, PE, PG, PH, PL, PT, QA, RO, RS, RU, RW, SC, SD, SE, SG, SK, SL, SM, ST, SV, SY, TH, TJ, TM, TN, TR, TT, TZ, UA, UG, US, UZ, VC, VN, ZA, ZM, ZW.
- (84) Designated States (unless otherwise indicated, for every kind of regional protection available): ARIPO (BW, GH, GM, KE, LR, LS, MW, MZ, NA, RW, SD, SL, SZ, TZ, UG, ZM, ZW), Eurasian (AM, AZ, BY, KG, KZ, RU, TJ, TM), European (AL, AT, BE, BG, CH, CY, CZ, DE, DK, EE, ES, FI, FR, GB, GR, HR, HU, IE, IS, IT, LT, LU, LV, MC, MK, MT, NL, NO, PL, PT, RO, RS, SE, SI, SK, SM, TR), OAPI (BF, BJ, CF, CG, CI, CM, GA, GN, GQ, GW, ML, MR, NE, SN, TD, TG).

Published:
— with international search report (Art. 21(3))

[Continued on next page]

(54) Title: HAIR STYLING APPARATUS



(57) Abstract: A hair styling apparatus comprises a first and a second arm moveable between a closed position in which a contacting surface of the first arm is adjacent a contacting surface of the second arm and an open position in which the contacting surfaces of each arm are spaced apart, whereby the contacting surfaces of each arm have complementary profiles so that, in use, a section of hair is clamped between the contacting surfaces when the arms are in the closed position. A heating zone on at least one of the contacting surfaces is provided to heat the section of hair between the contacting surfaces. A cooling zone on at least one of the contacting surfaces is provided for cooling the section of hair after the section of hair has been heated. The cooling zone is curved whereby, in use, as the hair styling apparatus is moved along the section of hair in a generally linear fashion, the section of hair is curled.





— *before the expiration of the time limit for amending the claims and to be republished in the event of receipt of amendments (Rule 48.2(h))*

(88) Date of publication of the international search report:
10 October 2013

INTERNATIONAL SEARCH REPORT

International application No
PCT/GB2013/050036

A. CLASSIFICATION OF SUBJECT MATTER
INV. A45D1/04 A45D2/00 A45D1/28
ADD.
According to International Patent Classification (IPC) or to both national classification and IPC

B. FIELDS SEARCHED
Minimum documentation searched (classification system followed by classification symbols)
A45D

Documentation searched other than minimum documentation to the extent that such documents are included in the fields searched

Electronic data base consulted during the international search (name of data base and, where practicable, search terms used)
EPO-Internal

C. DOCUMENTS CONSIDERED TO BE RELEVANT

Category*	Citation of document, with indication, where appropriate, of the relevant passages	Relevant to claim No.
X	WO 2007/000700 A2 (KONINKL PHILIPS ELECTRONICS NV [NL]; LEE IGNATIUS K C [SG]) 4 January 2007 (2007-01-04) cited in the application page 5, line 29 - page 6, line 34; figures 3-5	1-20, 22-25, 28, 32-34, 37-44, 46-52
X	WO 2005/067760 A1 (GENECH CO LTD [JP]; HIRAOKA AKIHIKO [JP]) 28 July 2005 (2005-07-28) abstract; figures 1-5 ----- -/--	1-5,14, 16-18

Further documents are listed in the continuation of Box C.

See patent family annex.

* Special categories of cited documents :

- "A" document defining the general state of the art which is not considered to be of particular relevance
- "E" earlier application or patent but published on or after the international filing date
- "L" document which may throw doubts on priority claim(s) or which is cited to establish the publication date of another citation or other special reason (as specified)
- "O" document referring to an oral disclosure, use, exhibition or other means
- "P" document published prior to the international filing date but later than the priority date claimed

- "T" later document published after the international filing date or priority date and not in conflict with the application but cited to understand the principle or theory underlying the invention
- "X" document of particular relevance; the claimed invention cannot be considered novel or cannot be considered to involve an inventive step when the document is taken alone
- "Y" document of particular relevance; the claimed invention cannot be considered to involve an inventive step when the document is combined with one or more other such documents, such combination being obvious to a person skilled in the art
- "&" document member of the same patent family

Date of the actual completion of the international search

26 July 2013

Date of mailing of the international search report

02/08/2013

Name and mailing address of the ISA/
European Patent Office, P.B. 5818 Patentlaan 2
NL - 2280 HV Rijswijk
Tel. (+31-70) 340-2040,
Fax: (+31-70) 340-3016

Authorized officer

Ionescu, C

INTERNATIONAL SEARCH REPORT

International application No
PCT/GB2013/050036

C(Continuation). DOCUMENTS CONSIDERED TO BE RELEVANT		
Category*	Citation of document, with indication, where appropriate, of the relevant passages	Relevant to claim No.
X	WO 2008/062293 A1 (DICKSON INDUSTRIAL CO LTD [CN]; CHAN WING KIN [CN]) 29 May 2008 (2008-05-29) cited in the application page 3, line 14 - page 12, line 22; figures 1-11 -----	20-22, 39-51
X	WO 2006/099522 A2 (DICKSON INDUSTRIAL CO LTD [CN]; MONROE WESLEY W [US]) 21 September 2006 (2006-09-21) page 1, line 31 - page 7, line 9; figures 1-4 -----	20,21, 39-51
E	WO 2013/013965 A1 (BSH BOSCH SIEMENS HAUSGERAETE [DE]; BLISCHKE DANIELA [DE]; ALTMANN BER) 31 January 2013 (2013-01-31) pages 2-19 -----	24, 26-30, 32-34, 38-44, 46-51

INTERNATIONAL SEARCH REPORT

International application No.
PCT/GB2013/050036

Box No. II Observations where certain claims were found unsearchable (Continuation of item 2 of first sheet)

This international search report has not been established in respect of certain claims under Article 17(2)(a) for the following reasons:

1. Claims Nos.: **53**
because they relate to subject matter not required to be searched by this Authority, namely:
Rules 6.2(a) and 6.3(a) PCT

2. Claims Nos.:
because they relate to parts of the international application that do not comply with the prescribed requirements to such an extent that no meaningful international search can be carried out, specifically:

3. Claims Nos.:
because they are dependent claims and are not drafted in accordance with the second and third sentences of Rule 6.4(a).

Box No. III Observations where unity of invention is lacking (Continuation of item 3 of first sheet)

This International Searching Authority found multiple inventions in this international application, as follows:

1. As all required additional search fees were timely paid by the applicant, this international search report covers all searchable claims.

2. As all searchable claims could be searched without effort justifying an additional fees, this Authority did not invite payment of additional fees.

3. As only some of the required additional search fees were timely paid by the applicant, this international search report covers only those claims for which fees were paid, specifically claims Nos.:

4. No required additional search fees were timely paid by the applicant. Consequently, this international search report is restricted to the invention first mentioned in the claims; it is covered by claims Nos.:

Remark on Protest

- The additional search fees were accompanied by the applicant's protest and, where applicable, the payment of a protest fee.
- The additional search fees were accompanied by the applicant's protest but the applicable protest fee was not paid within the time limit specified in the invitation.
- No protest accompanied the payment of additional search fees.

INTERNATIONAL SEARCH REPORT

Information on patent family members

International application No PCT/GB2013/050036

Patent document cited in search report	Publication date	Patent family member(s)	Publication date
WO 2007000700 A2	04-01-2007	AT 532430 T	15-11-2011
		CN 101801231 A	11-08-2010
		EP 1909609 A2	16-04-2008
		ES 2377139 T3	22-03-2012
		JP 2009501558 A	22-01-2009
		US 2010154817 A1	24-06-2010
		WO 2007000700 A2	04-01-2007

WO 2005067760 A1	28-07-2005	JP 3594591 B2	02-12-2004
		JP 2004160247 A	10-06-2004
		WO 2005067760 A1	28-07-2005

WO 2008062293 A1	29-05-2008	EP 2088894 A1	19-08-2009
		WO 2008062293 A1	29-05-2008

WO 2006099522 A2	21-09-2006	CN 101141896 A	12-03-2008
		EP 1858364 A2	28-11-2007
		US 2006207625 A1	21-09-2006
		US 2008216859 A1	11-09-2008
		WO 2006099522 A2	21-09-2006

WO 2013013965 A1	31-01-2013	DE 102011079642 A1	24-01-2013
		WO 2013013965 A1	31-01-2013
