



US0D1045018S

(12) **United States Design Patent**
Wu

(10) **Patent No.:** **US D1,045,018 S**

(45) **Date of Patent:** **** Oct. 1, 2024**

(54) **CAR WASHING GUN**

OTHER PUBLICATIONS

(71) Applicant: **Shenzhen Jieqi Technology Innovation Co., Ltd.**, Shenzhen Guangdong (CN)

IF Baseus, Date first available on IF Awards 2021 [online], [retrieved May 20, 2024]. Retrieved from internet, <https://ifdesign.com/en/winner-ranking/project/household-electric-car-washing-gun/312027> (Year: 2021).*

(72) Inventor: **Zhipeng Wu**, Shenzhen Guangdong (CN)

(Continued)

(**) Term: **15 Years**

Primary Examiner — S. Bryan Reinholdt, Jr.

Assistant Examiner — Kyle A. Edelmaier

(21) Appl. No.: **29/938,041**

(74) *Attorney, Agent, or Firm* — Vladimir Postnikov

(22) Filed: **Apr. 18, 2024**

(57) **CLAIM**

(51) **LOC (14) Cl.** **23-01**

The ornamental design for a car washing gun, as shown and described.

(52) **U.S. Cl.**

USPC **D23/226**

(58) **Field of Classification Search**

USPC D23/213, 219, 223, 226

CPC .. B05B 11/00; B05B 7/02; B05B 9/01; B05B 7/2402; B05B 7/1413

See application file for complete search history.

DESCRIPTION

FIG. 1 is a front elevation view of a car washing gun showing the new design;

FIG. 2 is a back elevation view thereof;

FIG. 3 is a left-side view thereof;

FIG. 4 is a right-side view thereof;

FIG. 5 is a top plan view thereof;

FIG. 6 is a bottom plan view thereof;

FIG. 7 is a perspective view thereof;

FIG. 8 is another perspective view thereof;

FIG. 9 is an enlarged view of the encircled portion in FIG. 3;

FIG. 10 is an enlarged view of the encircled portion in FIG. 7;

FIG. 11 is an enlarged view of the encircled portion in FIG. 8; and,

FIG. 12 is an enlarged view of the encircled portion in FIG. 8.

The broken lines depict portions of the car washing gun that form no part of the claimed design.

The dash-dot lines in FIGS. 3, 7, 8, 9, 10, 11, and 12 illustrate the boundaries of the enlarged view indicators and form no part of the claimed design.

(56)

References Cited

U.S. PATENT DOCUMENTS

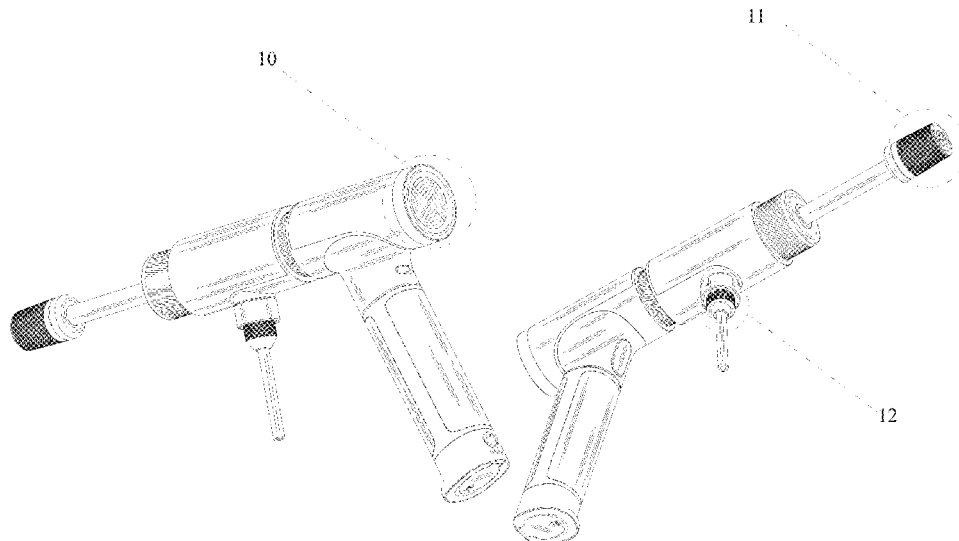
D95,516	S *	5/1935	Kretschan	D24/214
D170,447	S *	9/1953	Caird	D23/226
D202,144	S *	8/1965	Thompson	D23/226
3,417,923	A *	12/1968	Carlson	B05B 7/12 239/428
D234,053	S *	1/1975	Raffler et al.	D23/226
D247,680	S *	4/1978	Lorenzetti	D23/229
4,107,046	A *	8/1978	Corder	C02F 1/003 210/433.1
D278,550	S *	4/1985	Blank	D23/223
D307,935	S *	5/1990	Trefzger	D23/226
D323,546	S *	1/1992	Story	D23/225

(Continued)

FOREIGN PATENT DOCUMENTS

CN	306948166	*	11/2021
EM	015052176-0003	*	3/2024

1 Claim, 12 Drawing Sheets



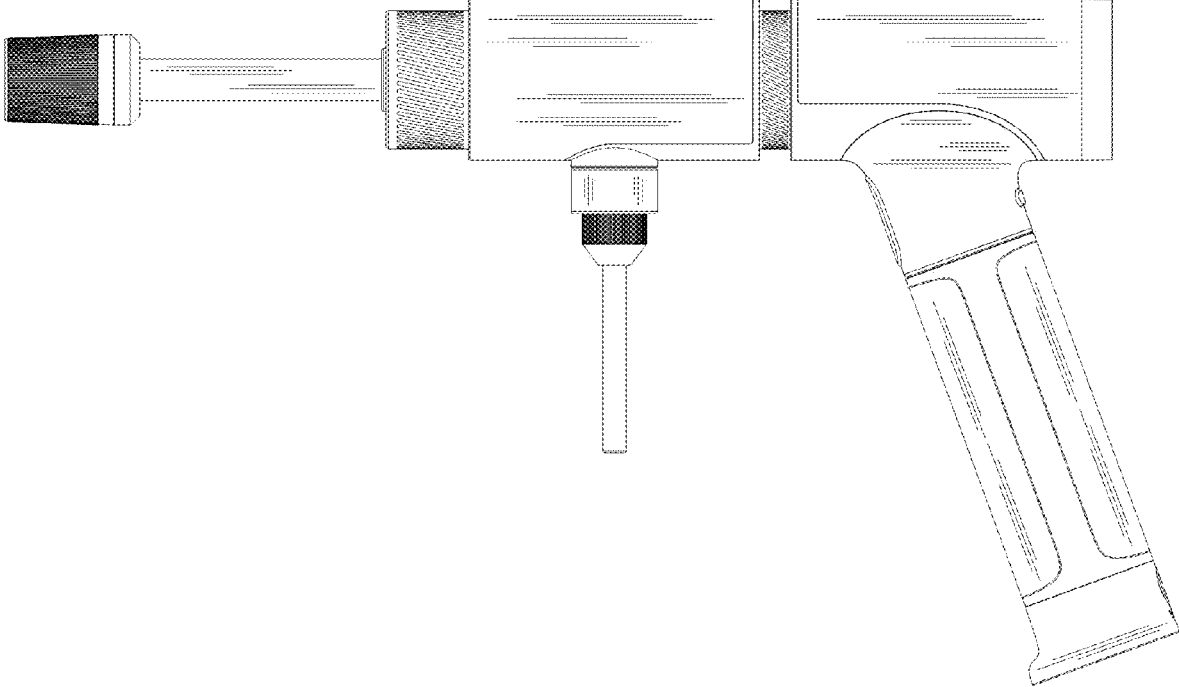


FIG. 1

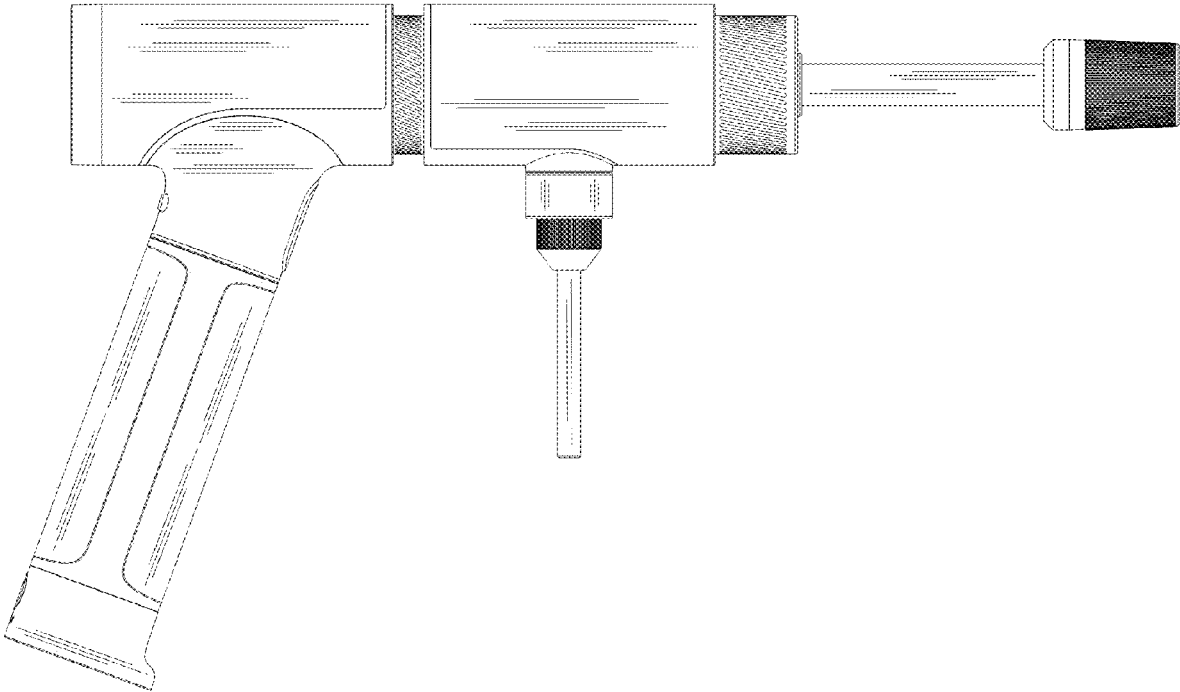


FIG. 2

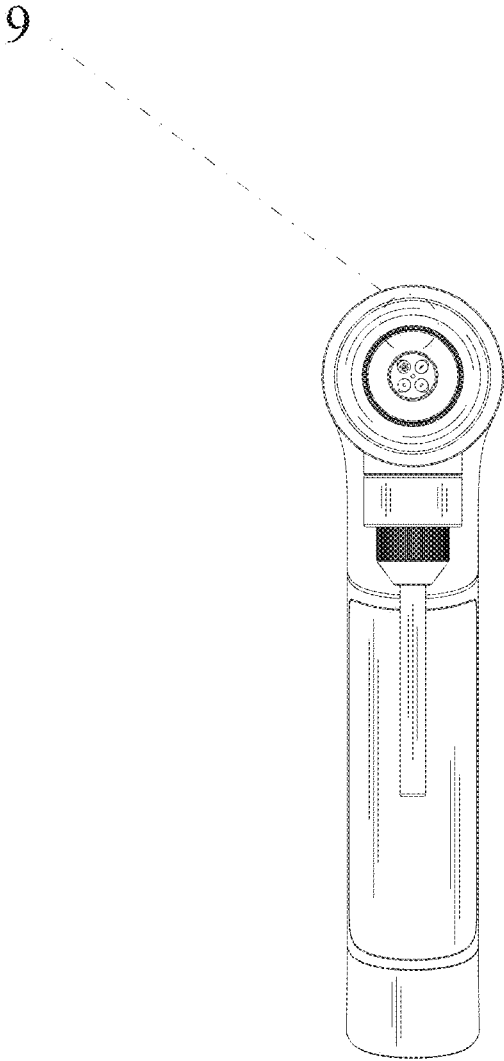


FIG. 3

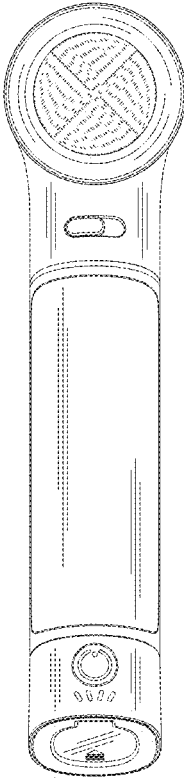


FIG. 4

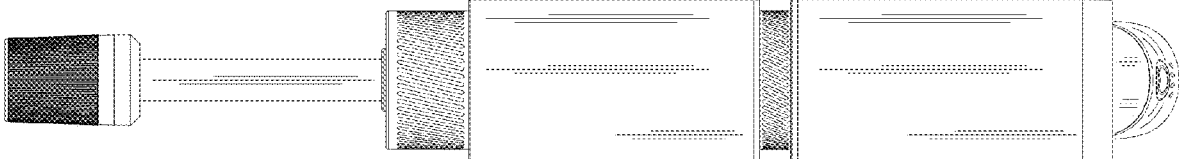


FIG. 5

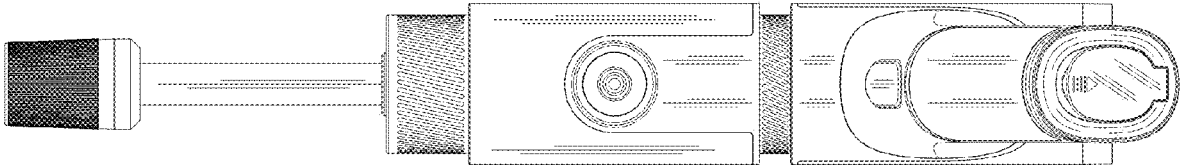


FIG. 6

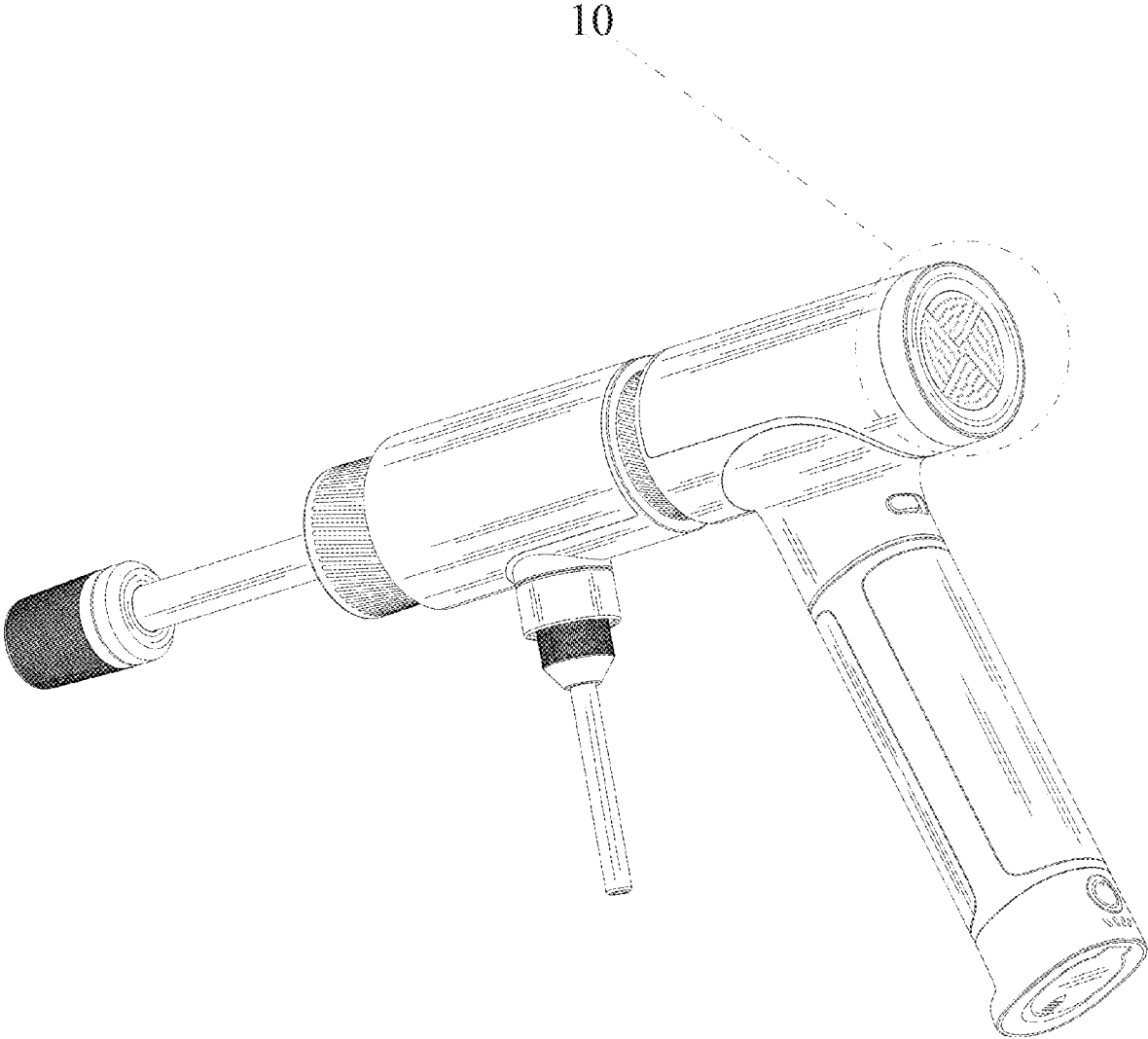


FIG. 7

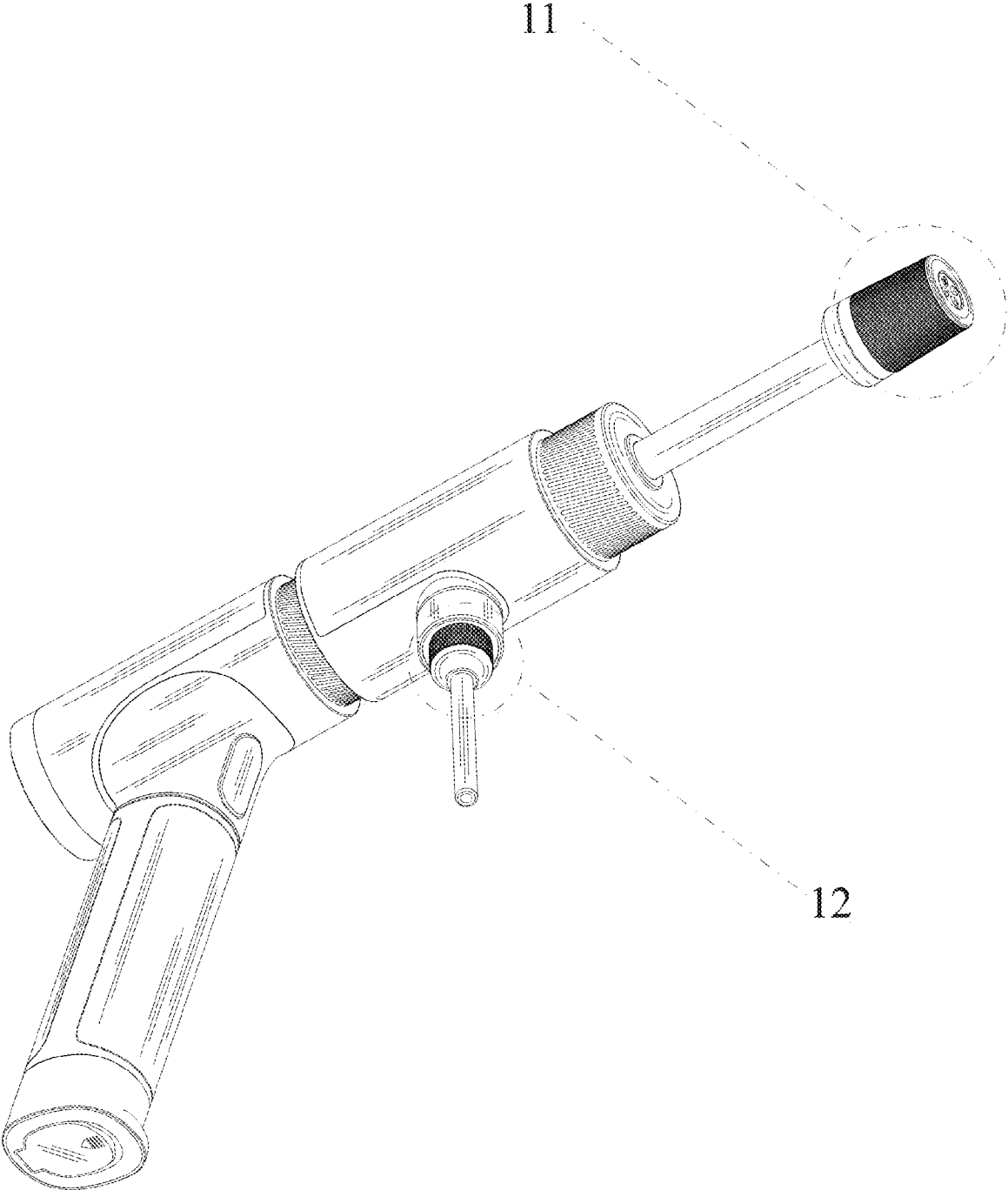


FIG. 8

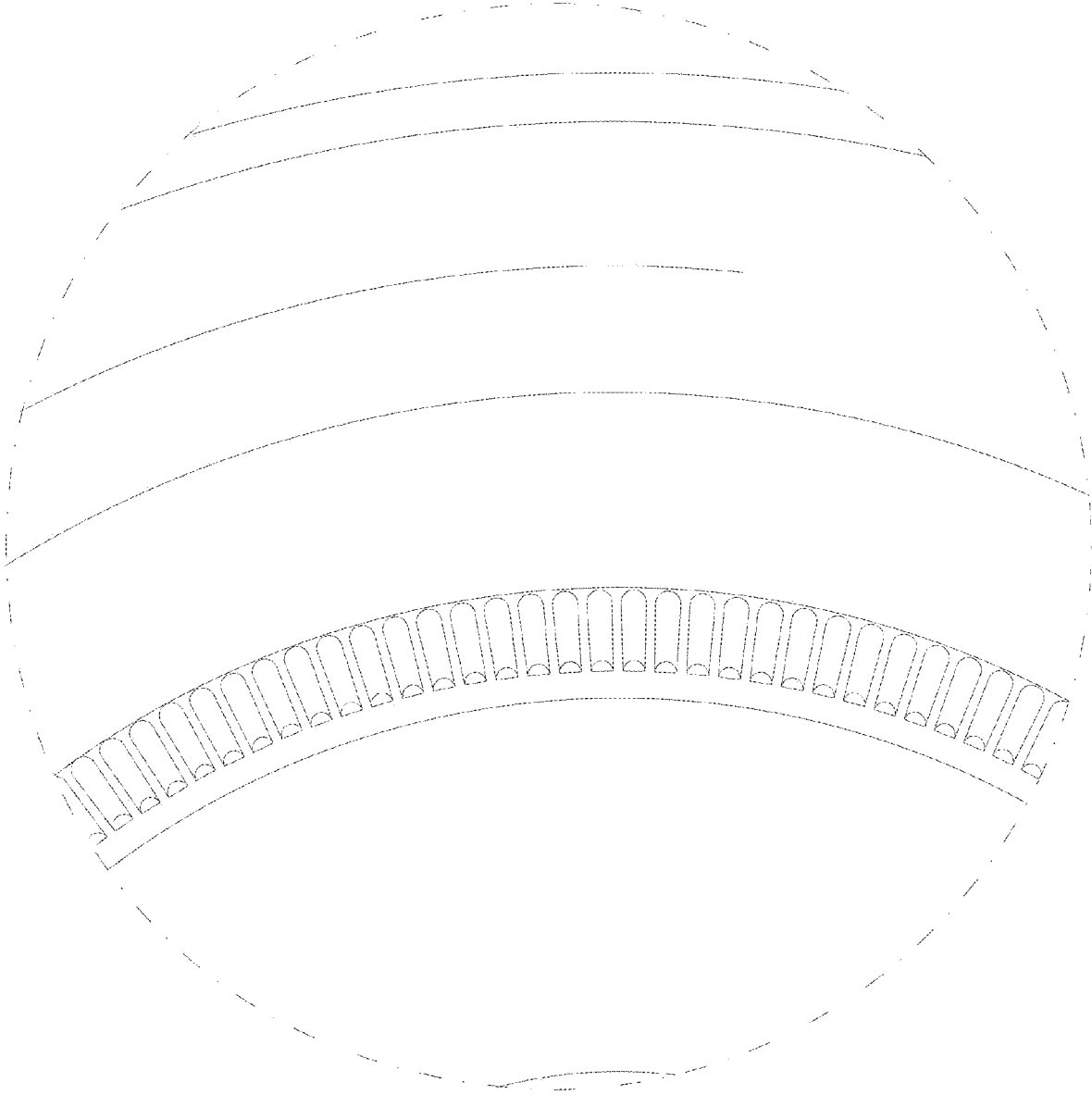


FIG. 9

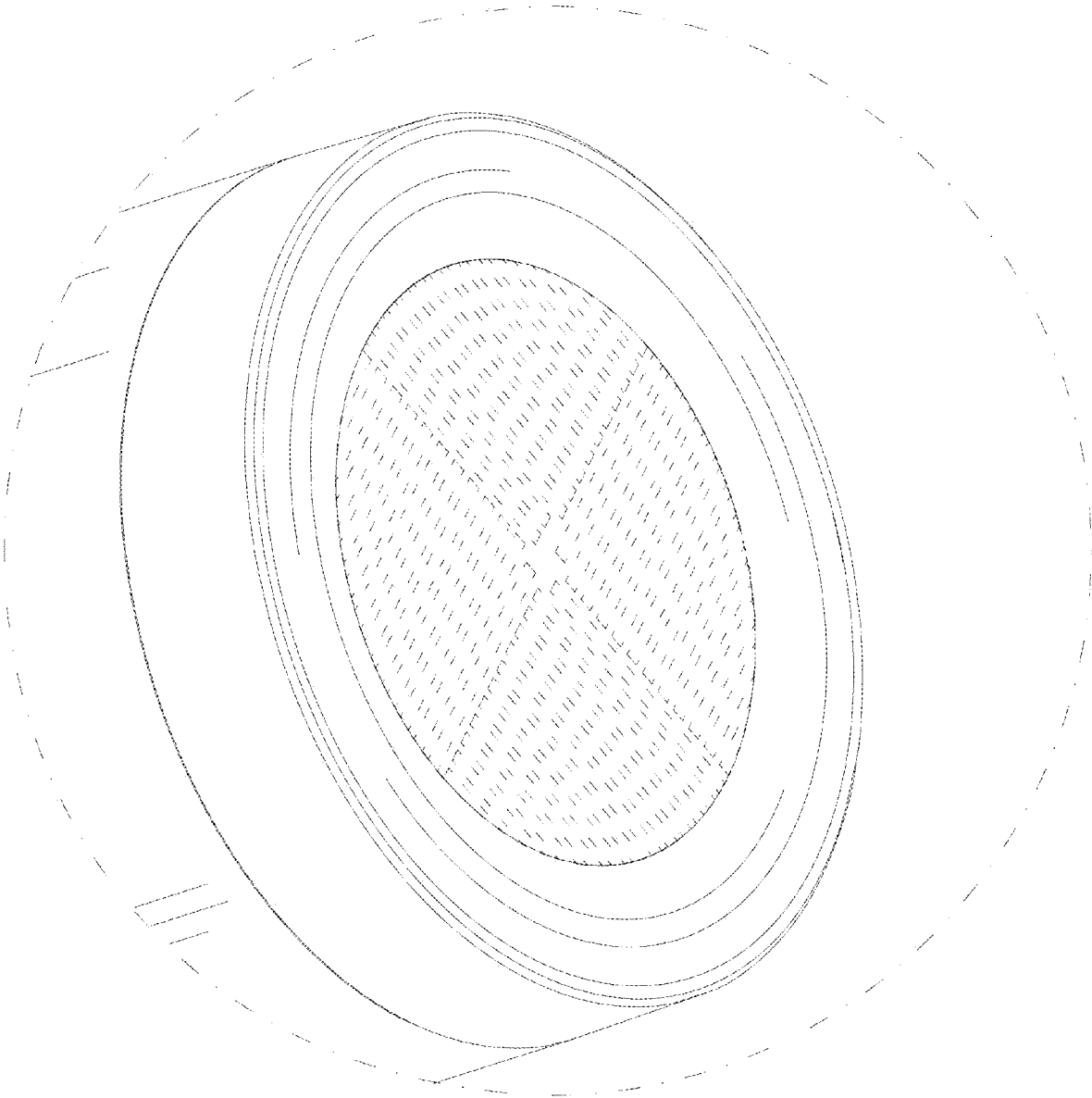


FIG. 10

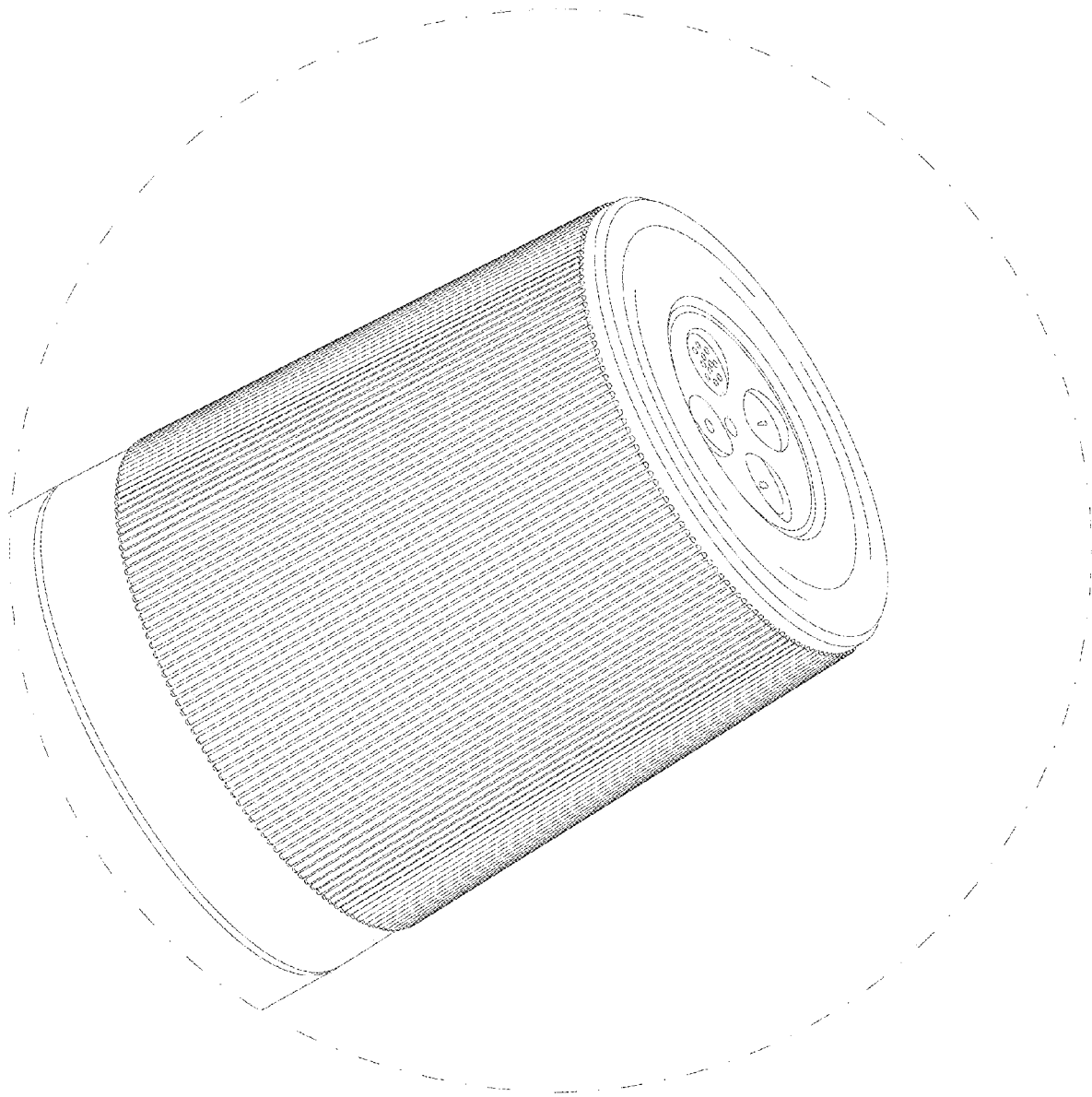


FIG. 11

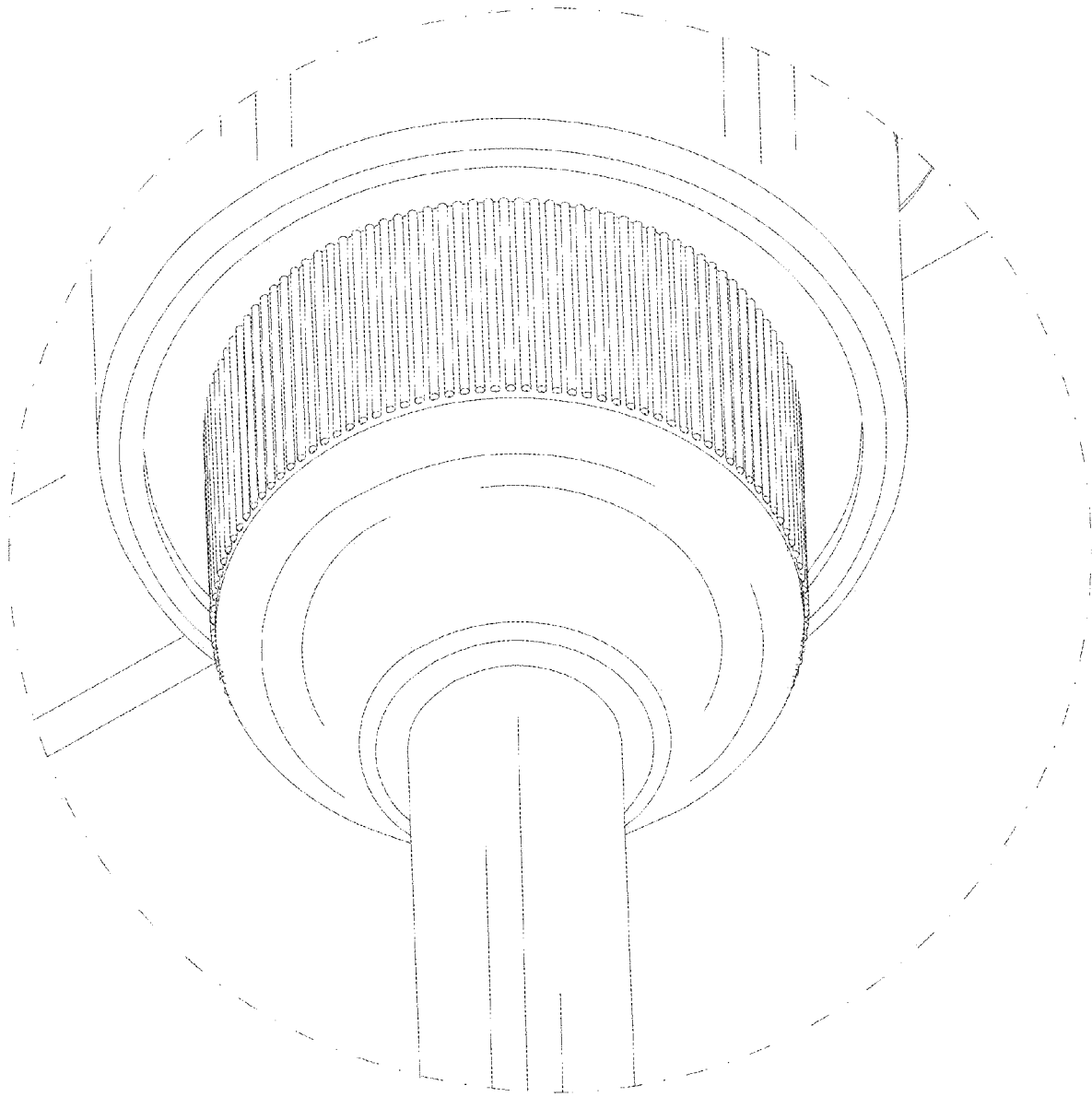


FIG. 12