

(12) UK Patent Application (19) GB (11) 2 346 162 (13) A

(43) Date of A Publication 02.08.2000

(21) Application No 9901717.0

(22) Date of Filing 26.01.1999

(71) Applicant(s)
Halcyon Solutions Limited
(Incorporated in the United Kingdom)
68 Balcombe Avenue, WORTHING, West Sussex,
BN14 7RS, United Kingdom

(72) Inventor(s)
Elisabeth Kimber

(74) Agent and/or Address for Service
G F Redfern & Co
7 Staple Inn, Holborn, LONDON, WC1V 7QF,
United Kingdom

(51) INT CL⁷
E04H 15/28

(52) UK CL (Edition R)
E1D DTL

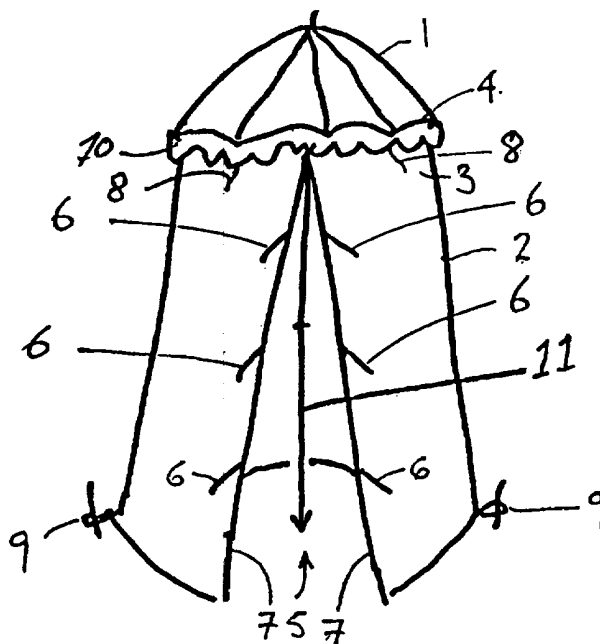
(56) Documents Cited
GB 2060024 A GB 2036123 A DE 003604853 A
JP 110125034 A US 5172712 A

(58) Field of Search
UK CL (Edition R) E1D DTL
INT CL⁷ E04H 15/28
EPODOC WPI JAPIO

(54) Abstract Title
Umbrella bathing tent

(57) A bathing tent having a roof formed by an umbrella (1) that can be opened and closed and extendible sides formed by a flexible skirt (2). The upper end of the skirt (2) is attached to the rim (4) of the umbrella and has a gap (5) to provide an entrance to the tent. The gap (5) can be closed, possibly by using multiple tie straps (6). The skirt (2) is brailed up to the peripheral rim of the umbrella when not in use (fig 4, not shown), there possibly being a border or pelmet (10) on the rim (4) of the umbrella (1) to conceal the skirt (2) when brailed up. The lower end of the skirt (2) may be secured to the floor by loops of material (9). The umbrella tent is preferably supported by a shaft (11) driven into the ground, where the shaft (11) can be telescopic or formed from two or more sections screwed together. The shaft may be provided with retractable support legs, struts (fig 7-9, not shown) or secured by a liquid filled collapsible container (figs 10 and 11, not shown). The shaft (11) may also be provided with a collapsible seat or shelf (figs 12 and 13, not shown).

Figure 2



GB 2 346 162 A

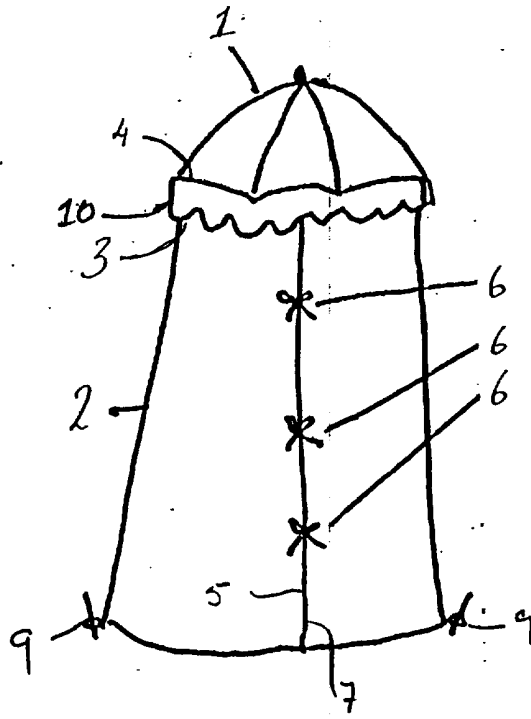


Figure 1

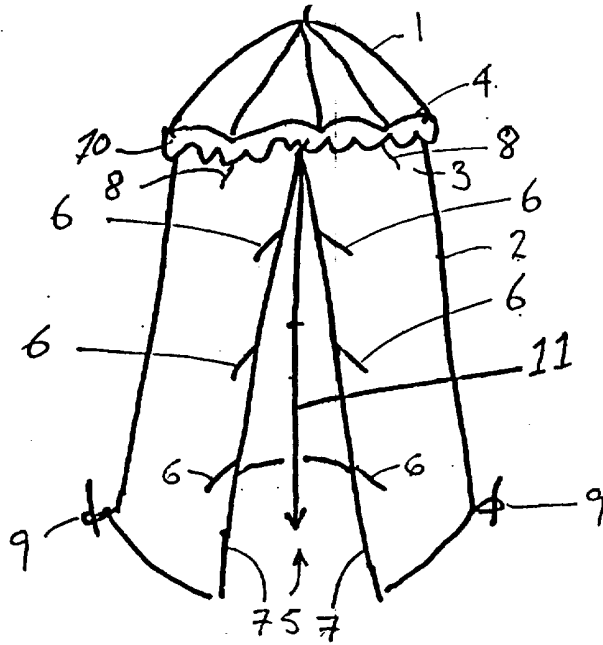


Figure 2

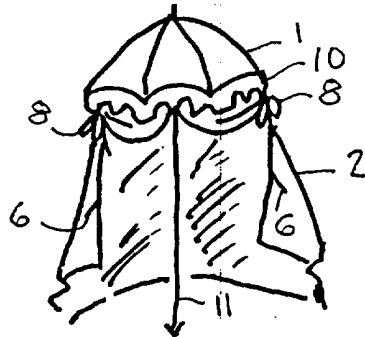
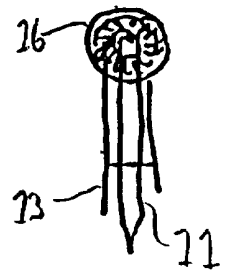
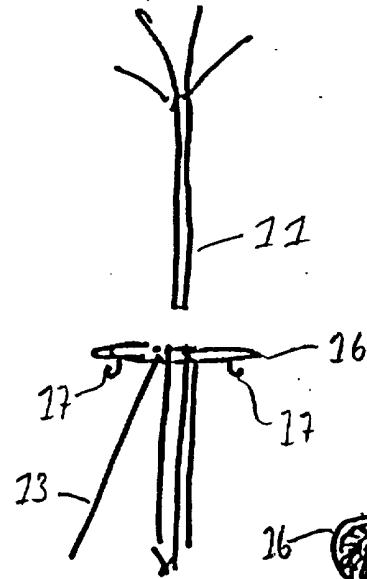
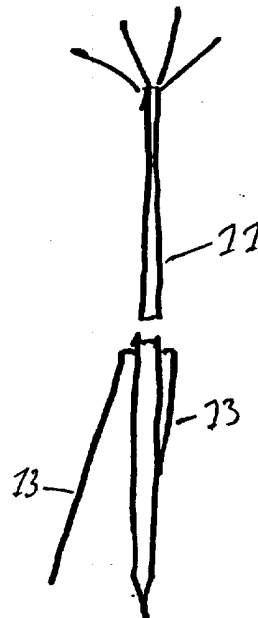
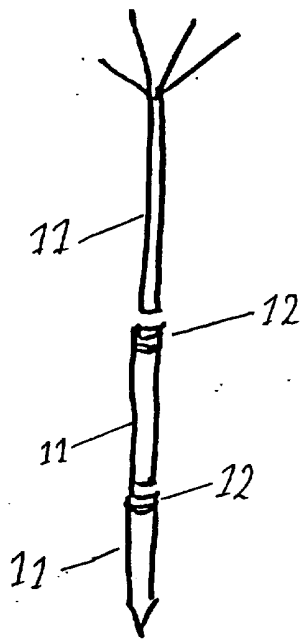
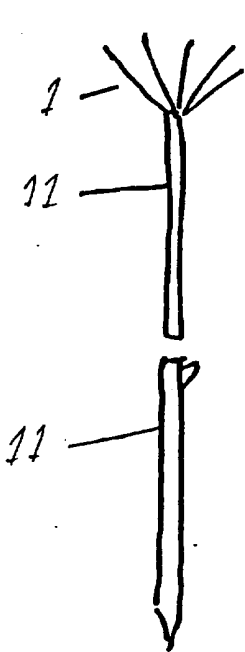
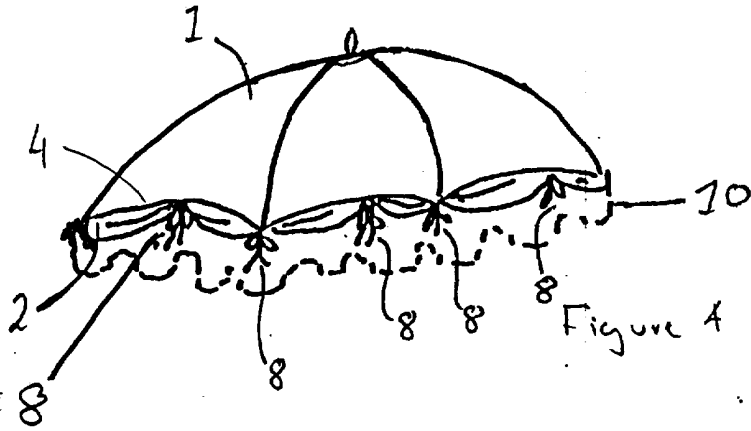


Figure 3



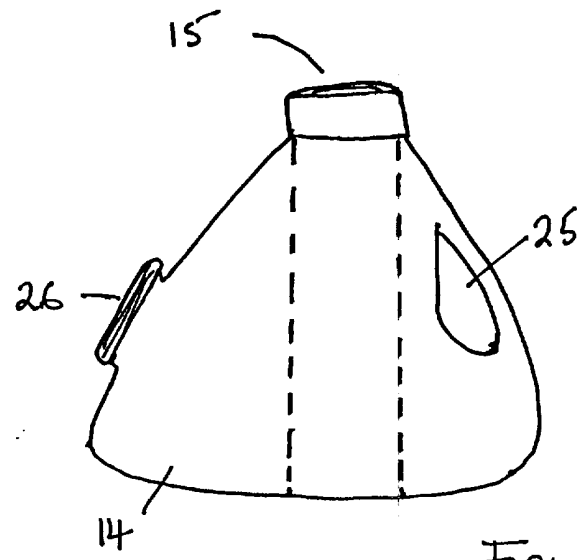


Figure 10

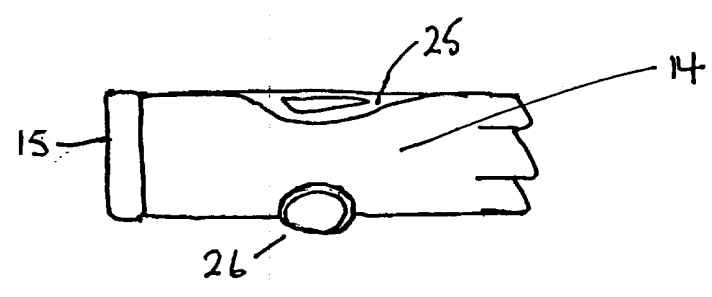


Figure 11

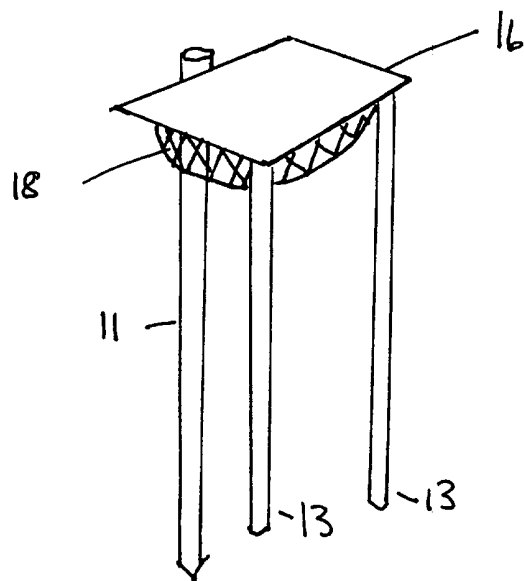


Figure 12

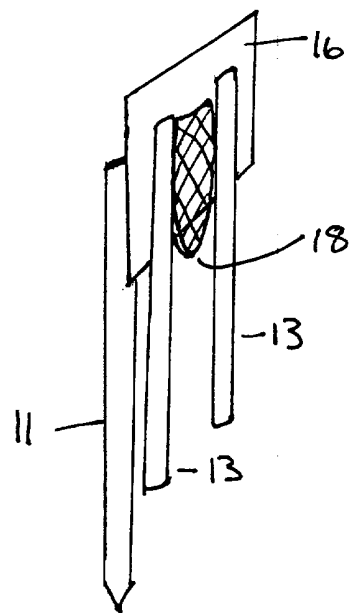


Figure 13

Bathing Tent

The present invention concerns the desire for a rapidly collapsible temporary tent-like structure which is easily transportable and highly adaptable for various uses such as a changing tent at the beach or in the garden or as a portable kiosk for outdoor events, and the term "bathing tent" will be used to define such structures.

According to the present invention a bathing tent comprises a roof formed by a collapsible umbrella and extendable sides provided by a flexible skirt the upper end of which is connected to the outer peripheral rim of the umbrella, a gap in said skirts to provide an entrance to said tent, means for securing the edges of the gap together to close said entrance, and means for brailing up all or part of said skirt to the peripheral rim of said umbrella.

Means can be provided for securing the lower edges of the skirt to the surface on which the tent is erected which can comprise open loops of material attached to the lower edge of the skirt.

Preferably the outer peripheral rim of the umbrella has attached to it a border or pelmet adapted to extend over the upper end of the skirt and to conceal the brailing means and the skirt when brailed up.

The brailing means and the means for securing the gap in the skirts may comprise multiple tie straps attached to the umbrella and skirts in the appropriate positions.

The umbrella can be carried on a support means the lower end of which is provided with a stand and/or is adapted to be driven into the ground.

The support means for the umbrella can take the form of a shaft which can be telescopic or which is in multiple parts which affix to each other by means of screw threads.

The shaft may be supported in the ground either by retractable legs or struts attached to the shaft and/or by a collapsible container which can be filled with liquid or particulate material and which has a reception socket which can be firmly secured to the lower end of the umbrella support.

The supporting shaft can also be provided with a collapsible seat or shelf and or means for hanging small items such as a hook or hooks which can also be affixed to the seat or shelf.

The tent may be constructed from any suitable materials but preferably the shaft and attachments can be constructed from aluminium alloy with the umbrella and skirts being constructed from waterproof nylon and with the tie straps and ground loops being constructed from nylon straps.

The invention may be performed in various ways and several embodiments will now be described by way of example and with reference to the accompanying drawings in which:

Figure 1 is a side view of the tent according to the invention when erected;

Figure 2 is side a view of the tent shown in Figure 1 with the skirt opened to provide an entrance;

Figure 3 is a side view of the tent shown in Figures 1 and 2 with part of the skirt brailed up to provide an open pavilion;

Figure 4 is a view of the upper portion of the tent showing the skirt brailed up;

Figure 5 is a side view of a first embodiment of the shaft of the tent;

Figure 6 is a side view of a second embodiment of the shaft of the tent;

Figure 7 is a side view of a third embodiment of the shaft of the tent;

Figure 8 is a side view of a fourth embodiment of the shaft of the tent;

Figure 9 is a side view of a fourth embodiment of the shaft of the tent as shown in Figure 7;

Figure 10 is a side view of a collapsable container for use with the shaft;

Figure 11 is a side view of the collapsable container as shown in Figure 9 in the collapsed position;

Figure 12 is an isometric view of a seat or shelf provided on the shaft, and;

Figure 13 is an isometric view of the seat or shelf shown in Figure 1 in a collapsed position.

As shown in Figures 1, 2, 3 and 4 a bathing tent according to the invention comprises a roof formed by a collapsable umbrella (1) and extendable sides provided by a flexible skirt (2) the upper end (3) of which is connected to the outer peripheral rim (4) of the umbrella (1), a gap (5) in the skirt (2) to provide an entrance to the tent, means (6) for securing the edges (7) of the gap (5) together to close the entrance, and means (8) for brailing up all or part of the skirt (2) to the peripheral rim (4) of the umbrella (1) the means (6) and (8) can be provided by tapes or loops.

Attached to the skirt are means for securing the lower extents of the skirt to the surface on which the tent is erected, in this embodiment the means comprise loops (9) attached to the lower edge of the skirt.

The outer peripheral rim (4) of the umbrella (1) has attached to it a border or pelmet (10) adapted to extend over the upper end (3) of the skirt (2) and to conceal the brailing means (8) and the skirt (2) when brailed up.

The umbrella (1) is carried on a support means the lower end of which is provided with a stand and is adapted to be driven into the ground. In the embodiments shown in Figures 5 to 13 the umbrella support means comprises a shaft (11) which can be telescopic as in Figure 4 or which is in multiple part which affix to each other by means of screw threads (12) as in Figure 6.

As shown in Figures 7 to 13 the shaft (11) may be supported in the ground either by retractable legs (13) as in Figures 7, 8, 9, 12, 13 and/or by a collapsible container (14) which can be filled with liquid or particulate materials and which has a reception socket (15) which can be firmly secured to the lower end of the umbrella shaft (11).

The shaft (11) can also have affixed to it a collapsible seat or shelf (16) and or a means for hanging small items such as a hook (17) in Figure 8 which is attached to the underside of the seat or shelf (16) or a hanging net (18) suspended beneath the seat or shelf (16) as in figures (12) and (13).

As the support means in the form of the shaft (11) can be telescoped or taken apart and the umbrella collapsed the overall length of the package thus provided can be relatively short.

The umbrella (1) which provides the upper canopy can use the mechanics currently employed for the folding variety of umbrella thus remaining conveniently portable while giving a large diameter of canopy but it could be constructed as the well known type of standard umbrella or parasol canopy with radially projecting arms and supporting stays.

In order to erect the tent it is merely necessary, in the case of soft ground, to extend the shaft appropriately and drive the pointed end into the ground. The umbrella can be expanded before or after placing the shaft in position. The device now provides a sunshade and can be used in the usual way. If it is desired to use the tent for, for example, bathing purposes, the skirt (2) can be unbrailed from the umbrella and allowed to drop to the ground and fixed in position by the loops (9). The tent can be opened or closed by use of the ties (6).

Alternatively the tent can be used as a pavilion by merely unbrailing the rear part of the skirt and retaining the brails at the front so that it operates with the front open as shown in Figure 3.

If desired the collapsible container (14) can also be used by placing it on the supporting surface of the ground into which the end of the shaft has been driven and securing it in position by the reception socket (15) which is provided with clamping means (not shown). This will provide additional support.

Again, if retractable legs (13) are provided these will also act to support the shaft.

If the tent is used on a hard surface then the collapsible support is sufficient to hold the shaft upright by clamping it in position appropriately at the lower end of the shaft.

Thus, the beach umbrella according to the invention provides an easily portable and erectable shelter. It permits the user to change into or out of bathing clothing in privacy even on a crowded beach. It also provides shade and it can provide shelter from rain.

It will be appreciated that the general overall shape of the tent, due to the umbrella shaped canopy and border or pelmet (10) is not unlike the shape of a medieval pavilion and is therefore attractive. The tent can be multi-coloured to enhance this effect, for example by providing striped or shaded patterns on the skirt. It therefore also provides an attractive garden feature. It can be used as a changing tent for outdoor swimming pools and home paddling pools, a shelter for food etc. at barbecues, garden parties, garden fetes and all outdoor functions. It can also be used as a portable kiosk for ticket sellers, stall holders and others at outdoor events such as carboot sales and markets.

Yet a further use is that it can act as a simple and attractive awning or toilet tent for campers and caravaners.

The very simple, familiar mechanics of the use of an umbrella are far easier and less threatening to use than tent based shelters. The device is lightweight and easy to carry, so can be taken anywhere, for example on holidays, and is not dependent on having a vehicle to carry it.

As mentioned above the tent has considerable visual appeal and is styled after 1930's Riviera beach tents and/or medieval pavilions so that it makes a fashion statement as well as acting as a functional item.

As will be seen, the scalloped border or pelmet (10) adds visual appeal and conceals the skirt when this is not in use.

The collapsible container can be rolled up when not in use and has openings to receive any form of fluid-type material, for example a liquid or a particulate material such as sand or small stones. In order to ease transportation a carrying handle (25) is incorporated in its shape and the filling orifice is closed by a stout plug 26.

A set of pegs, for example made from a synthetic plastics material, are provided with the tent to allow the skirt to be fastened down.

A carry bag can be provided to take all the parts and this can have additional pockets so that it can double as a beach bag.

As supplied to a customer the package comprises :-

a canopy section, folded with skirts brailed up;
shaft sections or a collapsible shaft, with spike
supplied protected by a rubber/plastic ferrule for safety
purposes;
a set of pegs;
instructions; and the various other items which can be
supplied in a bag separately.

The canopy and skirt are preferably made from a lightweight (rain - umbrella grade waterproof Nylon), a shaft of a lightweight material, for example aluminium of minimum weight. The ties would be of Nylon or similar fabric and the pegs, as mentioned above, are a heavy duty synthetic resin material.

The shelf, if provided, can again be made of a synthetic resin material.

CLAIMS

1. A bathing tent comprising a roof formed by an umbrella which can be opened and closed and having extendable sides provided by a flexible skirt the upper end of which is connected to the peripheral rim of the umbrella, a gap in said skirts to provide an entrance to said tent, means for securing the edges of the gap together to close said entrance, and means for brailing up all or part of said skirt to the peripheral rim of said umbrella.
2. A bathing tent as claimed in claim 1 including means for securing the lower edges of the skirt to the surface on which the tent is erected.
3. A bathing tent as claimed in claim 2 in which said means for securing the lower edges of the skirt comprise open loops of material attached to the lower edges of the skirt.
4. A bathing tent as claimed in claims 1 to 3 in which a border or pelmet is attached to the peripheral rim of the umbrella and which is adapted to extend over the upper end of the skirt to conceal said brailing means and the skirt when brailed up.
5. A bathing tent as claimed in claims 1 to 4 in which the brailing means and means for securing the gap in the skirts comprise multiple tie straps attached to the umbrella and skirts in appropriate positions.
6. A bathing tent as claimed in any one of preceding claims 1 to 5 in which the umbrella is carried on a support means, the lower end of which is provided with a stand and/or is adapted to be driven into the ground.
7. A bathing tent as claimed in claim 6 in which said support means are provided by a shaft.

8. A bathing tent as claimed in claim 7 in which said shaft is telescopic.
9. A bathing tent as claimed in claim 7 in which said shaft is in two or more parts which are adapted to be screw threaded together.
10. A bathing tent as claimed in claims 7, 8 or 9 in which said shaft is provided with retractable support legs or struts.
11. A bathing tent as claimed in claims 7, 8 or 9 in which said shaft is supported on the ground by a collapsible container which can be filled with liquid or a particulate material and which has a reception socket which can be firmly secured to the lower end of the shaft.
12. A bathing tent as claimed in any one of preceding claims 7 to 11 in which said shaft is provided with a collapsible seat or shelf and/or means for having small items.
13. A bathing tent substantially as described herein with reference to and as shown in the accompanying drawings.



Application No: GB 9901717.0
 Claims searched: 1-13

Examiner: Lyndon Ellis
 Date of search: 11 April 2000

Patents Act 1977
Search Report under Section 17

Databases searched:

UK Patent Office collections, including GB, EP, WO & US patent specifications, in:
 UK Cl (Ed.R): E1D TL
 Int Cl (Ed.7): E04H
 Other: Online: EPODOC, WPI, JAPIO

Documents considered to be relevant:

Category	Identity of document and relevant passage	Relevant to claims
A	GB 2060024 Cascade Electrolite Limited	-
A	GB 2036123 Jiunn-Feng Lee	-
A	US 5172712 Louie A. Robinson	-
A	DE 3604853 Liuni Raffael	-
A	JP11125034 Kawashima Katsuko	-

X	Document indicating lack of novelty or inventive step	A	Document indicating technological background and/or state of the art.
Y	Document indicating lack of inventive step if combined with one or more other documents of same category.	P	Document published on or after the declared priority date but before the filing date of this invention.
&	Member of the same patent family	E	Patent document published on or after, but with priority date earlier than, the filing date of this application.