



US00D785766S

(12) **United States Design Patent**  
**Sato**

(10) **Patent No.:** **US D785,766 S**

(45) **Date of Patent:** **\*\* May 2, 2017**

(54) **SHOWER PLATE**

(71) Applicant: **ASM IP Holding B.V.**, Almere (NL)

(72) Inventor: **Kazuo Sato**, Kawasaki (JP)

(73) Assignee: **ASM IP Holding B.V.**, Almere (NL)

(\*\*) Term: **15 Years**

(21) Appl. No.: **29/568,143**

(22) Filed: **Jun. 15, 2016**

(51) **LOC (10) Cl.** ..... **23-01**

(52) **U.S. Cl.**

USPC ..... **D23/259**

(58) **Field of Classification Search**

USPC ..... D23/259-265, 268-269, 283, 304;  
4/596-598, 609, 612; 239/548, 555, 592;  
210/459-460

CPC ..... E03C 1/046; A47K 3/30; A47K 3/283;  
A47K 3/281; A47K 3/28; B05B 1/14;  
B05B 1/185; B05B 15/065

See application file for complete search history.

(56) **References Cited**

**U.S. PATENT DOCUMENTS**

1,805,816 A \* 5/1931 Fleming ..... E04D 13/0409  
210/165  
2,222,807 A \* 11/1940 Burr ..... E03C 1/26  
210/165  
2,278,566 A \* 4/1942 Schaible ..... E03C 1/262  
285/148.11

(Continued)

*Primary Examiner* — Eric Goodman  
*Assistant Examiner* — Amy Wierenga

(74) *Attorney, Agent, or Firm* — Sand & Sebolt

(57) **CLAIM**

The ornamental design for a shower plate, as shown and described.

**DESCRIPTION**

FIG. 1 is a top plan view of a first embodiment of the shower plate in accordance with my design;

FIG. 2 is a front elevation view thereof; and wherein a rear elevation view will be a mirror image of the front elevation view;

FIG. 3 is a right side elevation view thereof; and wherein a left side elevation view will be a mirror image of the right side elevation view;

FIG. 4 is a bottom plan view of the shower plate;

FIG. 5 is a cross-section taken along line 5-5 of FIG. 1;

FIG. 6 is a cross-section taken along line 6-6 of FIG. 1;

FIG. 7 is a top plan view of a second embodiment of the shower plate in accordance with my design;

FIG. 8 is a front elevation view thereof; and wherein a rear elevation view will be a mirror image of the front elevation view;

FIG. 9 is a right side elevation view thereof; and wherein a left side elevation view will be a mirror image of the right side elevation view;

FIG. 10 is a bottom plan view of the shower plate;

FIG. 11 is a cross-section taken along line 11-11 of FIG. 7;

FIG. 12 is a cross-section taken along line 12-12 of FIG. 7;

FIG. 13 is a top plan view of a third embodiment of the shower plate in accordance with my design;

FIG. 14 is a front elevation view thereof; and wherein a rear elevation view will be a mirror image of the front elevation view;

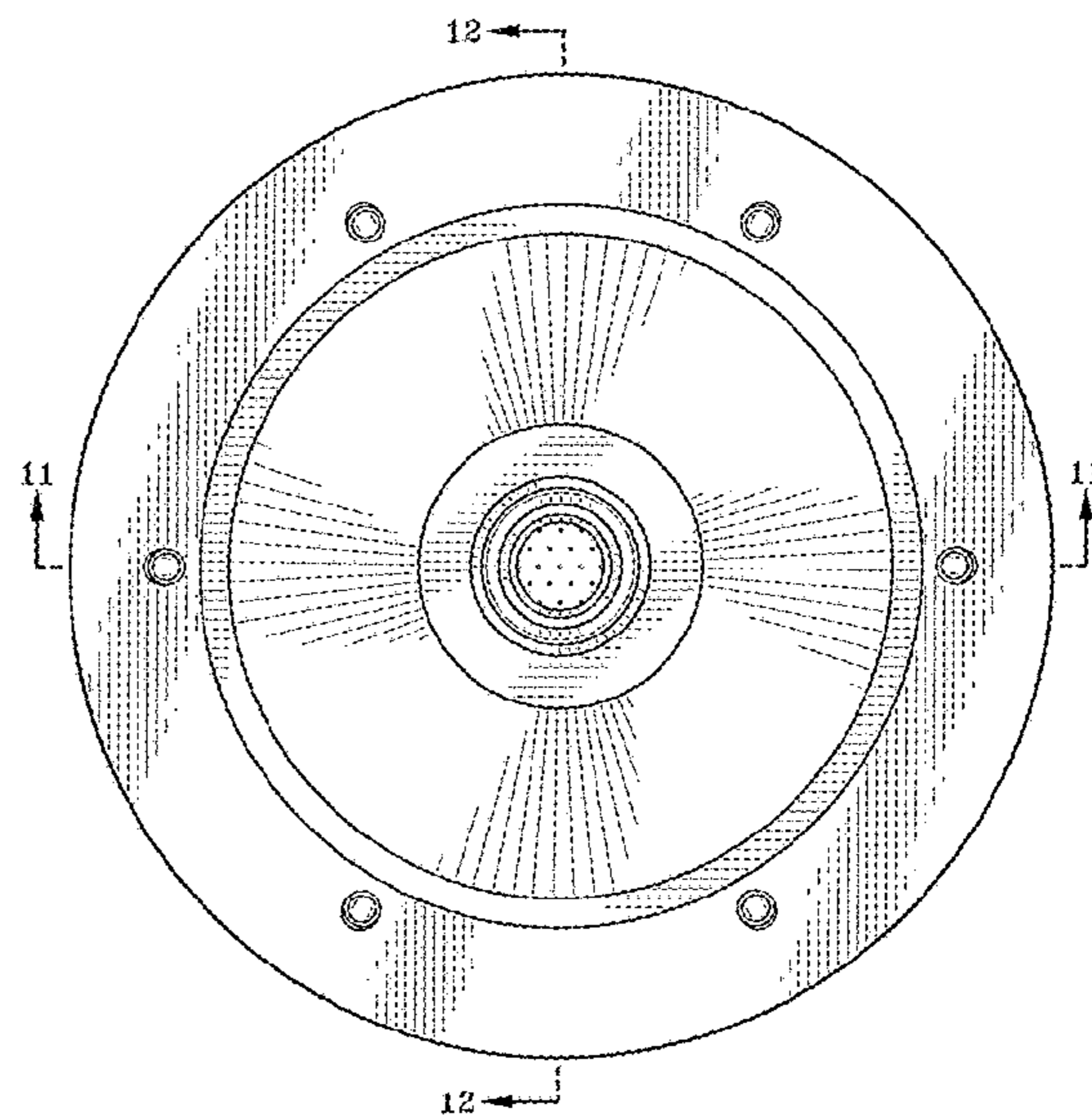
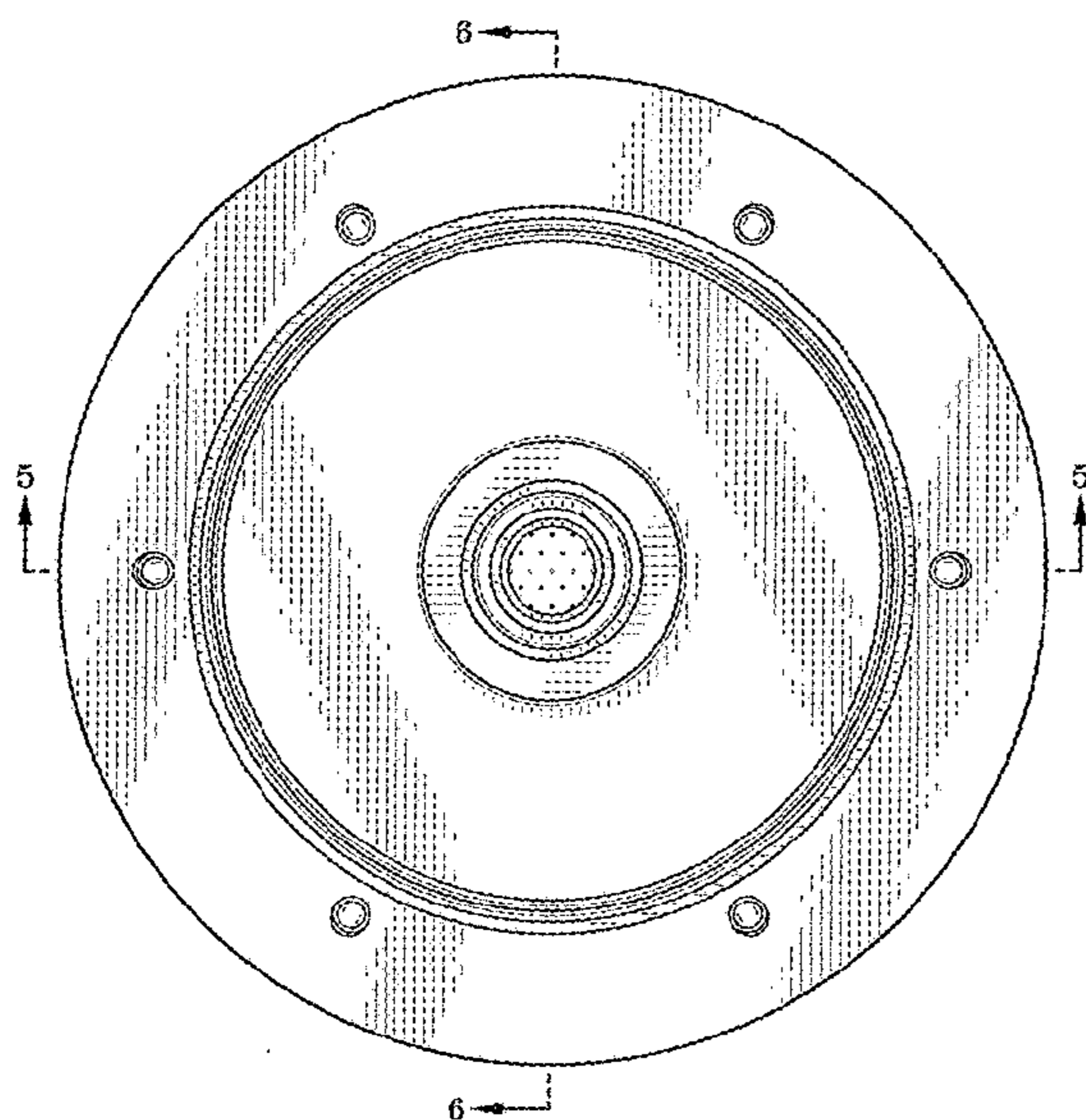
FIG. 15 is a right side elevation view thereof; and wherein a left side elevation view will be a mirror image of the right side elevation view;

FIG. 16 is a bottom plan view of the shower plate;

FIG. 17 is a cross-section taken along line 17-17 of FIG. 13; and,

FIG. 18 is a cross-section taken along line 18-18 of FIG. 13.

**1 Claim, 9 Drawing Sheets**



(56)

## References Cited

## U.S. PATENT DOCUMENTS

2,928,419 A \* 3/1960 Kruse ..... E03F 5/042  
137/593  
5,060,322 A 10/1991 Delepine  
D327,534 S 6/1992 Manville et al.  
D351,220 S \* 10/1994 Barnes ..... D23/260  
D380,527 S 7/1997 Velez  
D400,838 S \* 11/1998 Stahel ..... D12/197  
D419,652 S 1/2000 Hall et al.  
D457,609 S 5/2002 Piano  
D461,233 S 8/2002 Whalen  
D461,882 S 8/2002 Piano  
D486,891 S 2/2004 Cronce, Jr.  
6,688,784 B1 2/2004 Templeton  
7,143,897 B1 12/2006 Guzman et al.  
D585,968 S 2/2009 Elkins et al.  
D602,575 S 10/2009 Breda  
D613,829 S 4/2010 Griffin et al.  
D652,896 S 1/2012 Grether  
D653,734 S 2/2012 Sisk  
8,196,234 B2 6/2012 Glunk  
D665,055 S 8/2012 Yanagisawa et al.  
8,307,472 B1 11/2012 Saxon et al.  
D720,838 S \* 1/2015 Yamagishi ..... D23/261  
D724,701 S \* 3/2015 Yamagishi ..... D23/261  
D732,145 S 6/2015 Yamagishi et al.  
D733,261 S \* 6/2015 Yamagishi ..... D23/259  
D733,843 S \* 7/2015 Yamagishi ..... D23/259  
D735,836 S 8/2015 Yamagishi et al.  
D746,955 S \* 1/2016 Corder ..... D23/261  
2005/0258280 A1 11/2005 Goto et al.  
2013/0292047 A1 11/2013 Tian et al.  
2014/0283747 A1 9/2014 Kasai et al.

\* cited by examiner

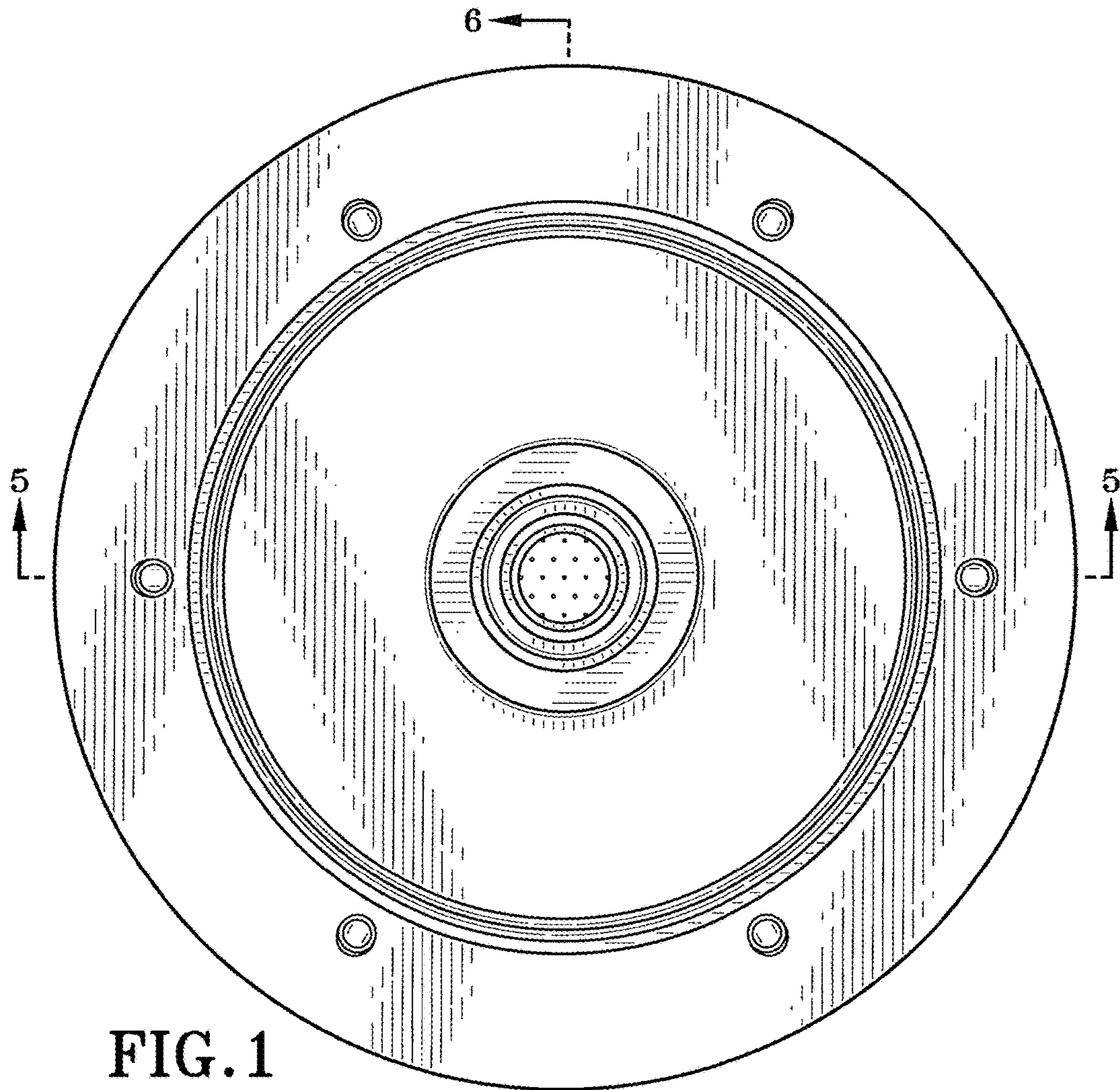


FIG. 1

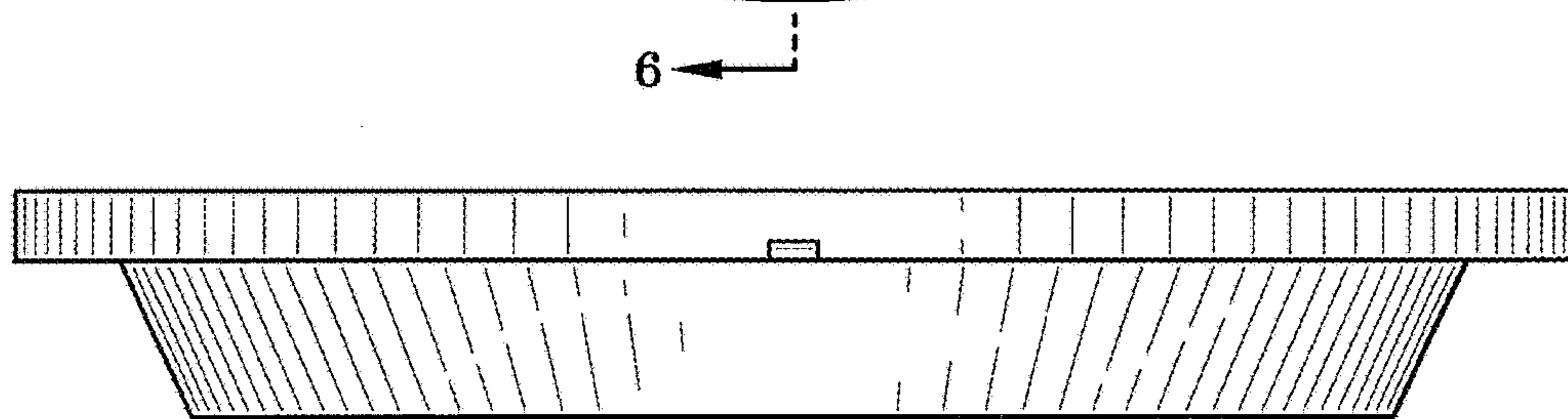


FIG. 2

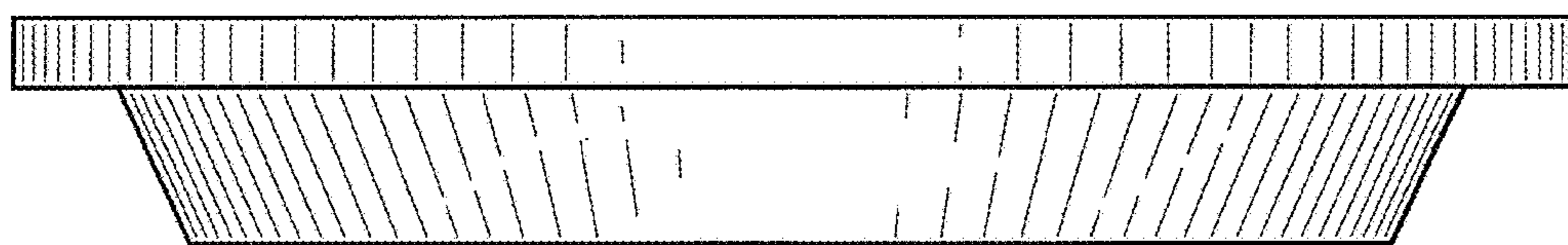


FIG. 3

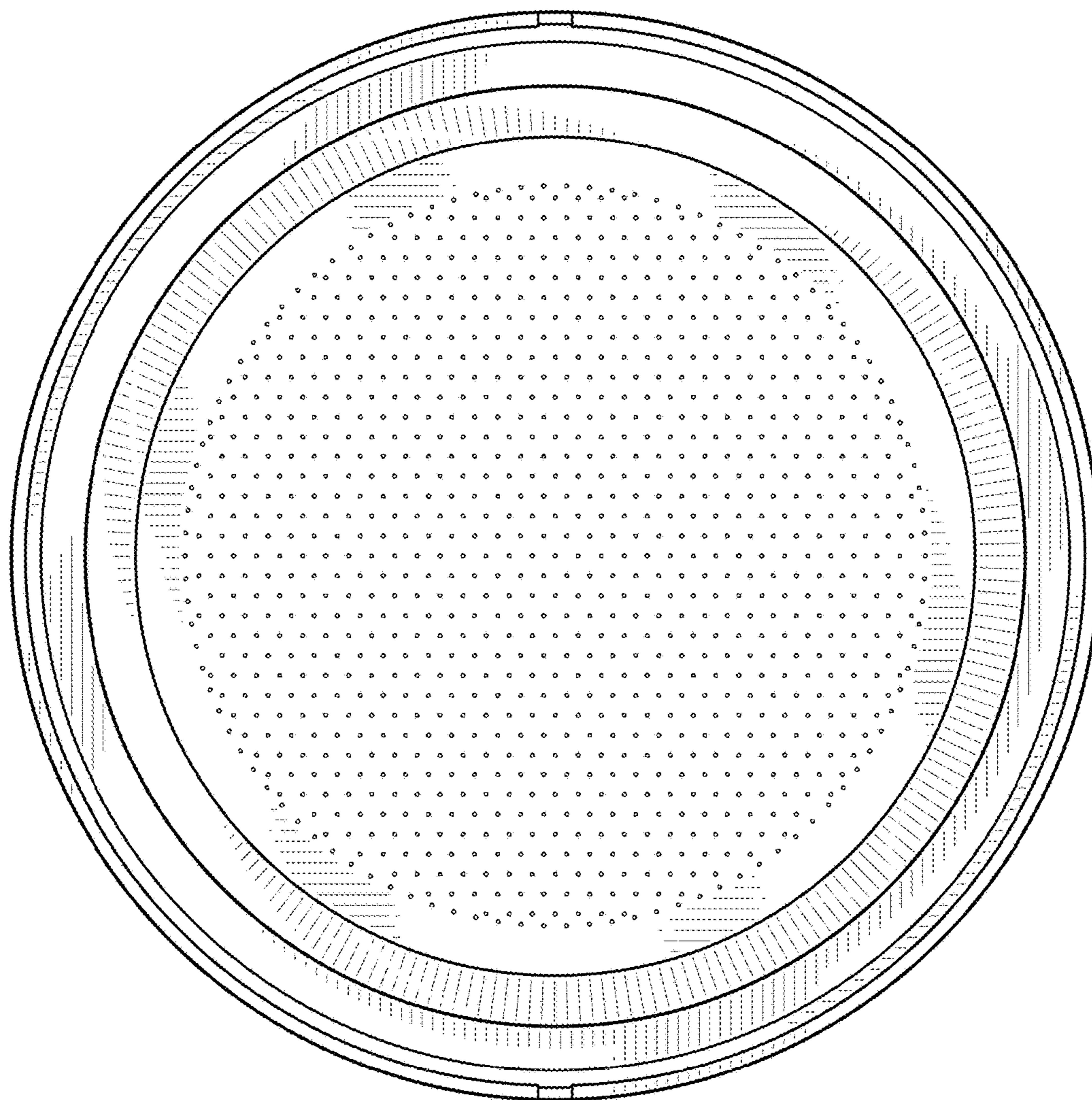


FIG. 4

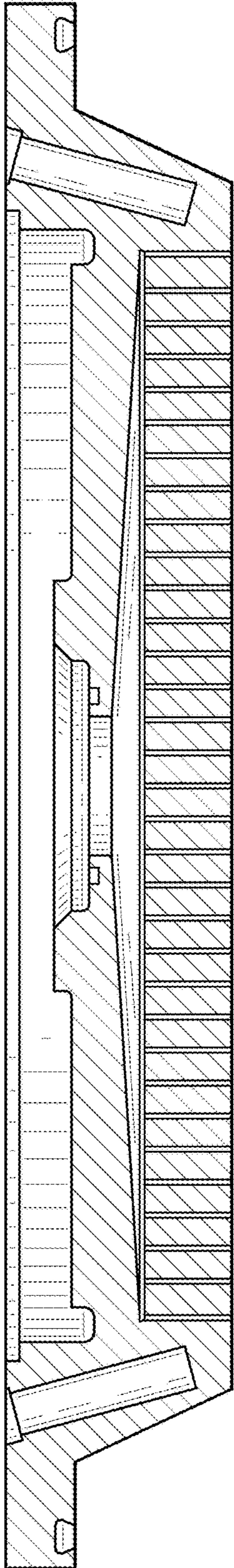


FIG. 5

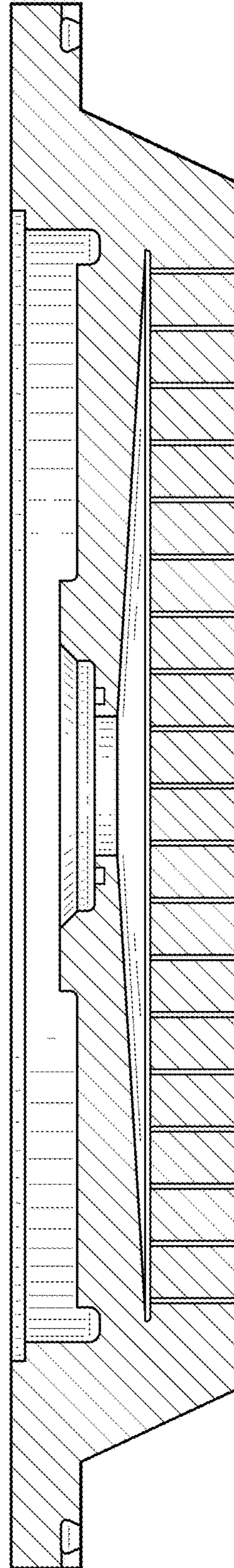


FIG. 6

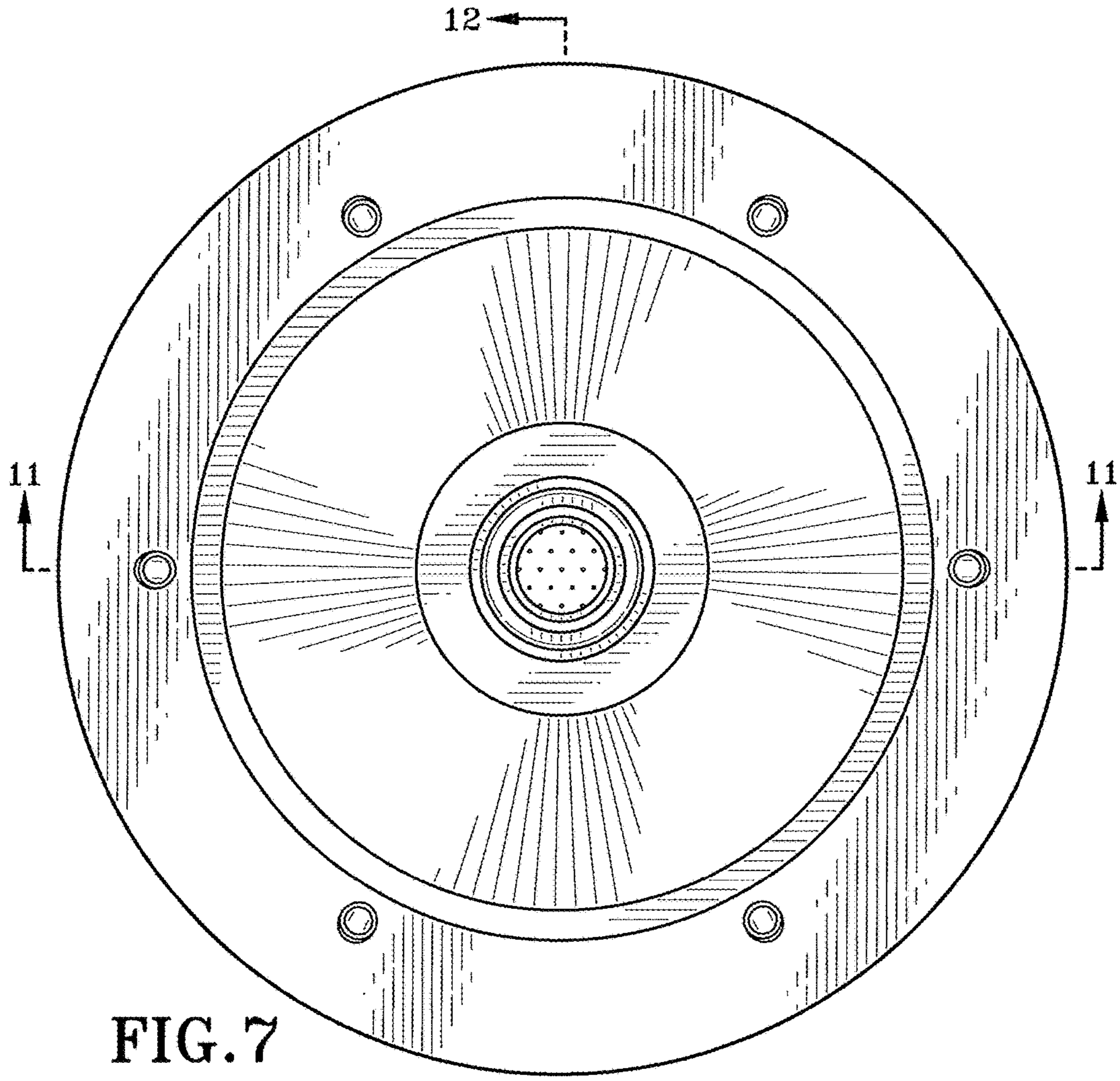


FIG. 7

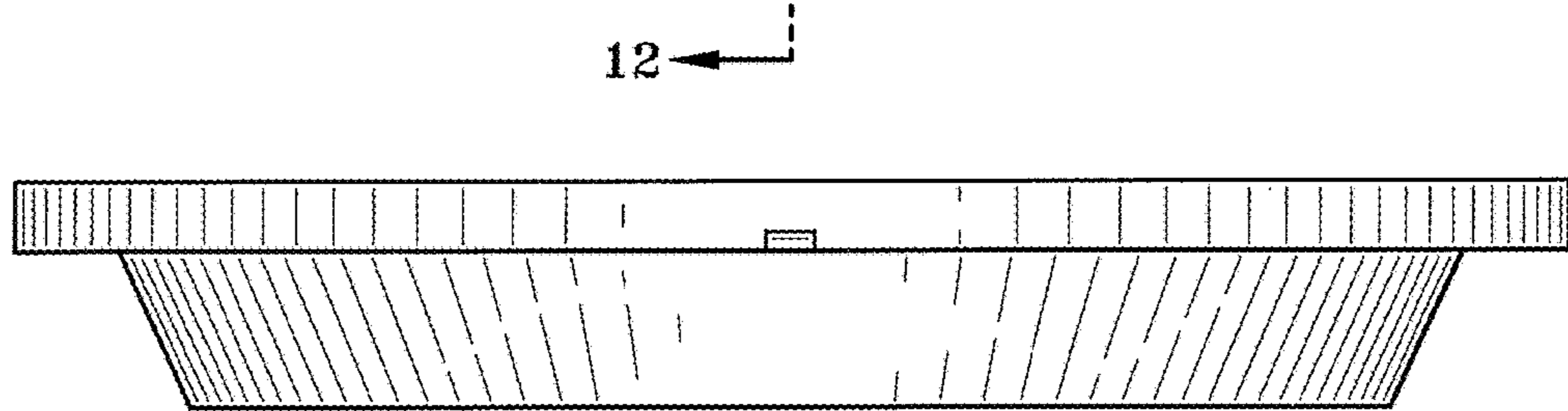


FIG. 8

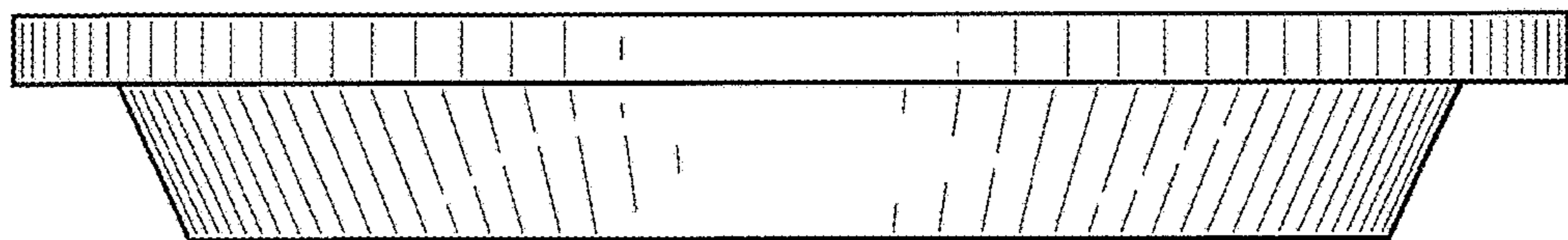


FIG. 9

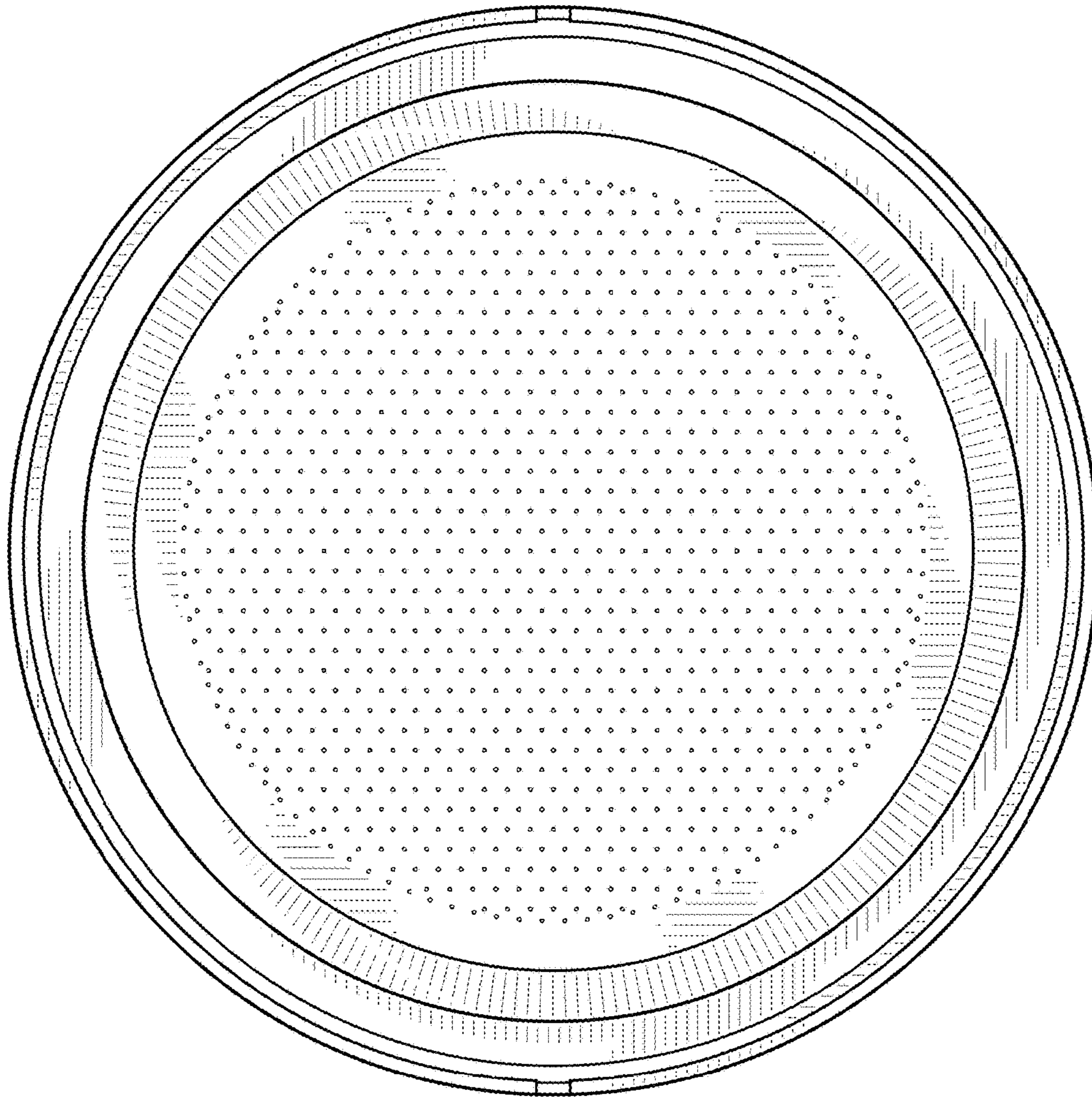


FIG. 10

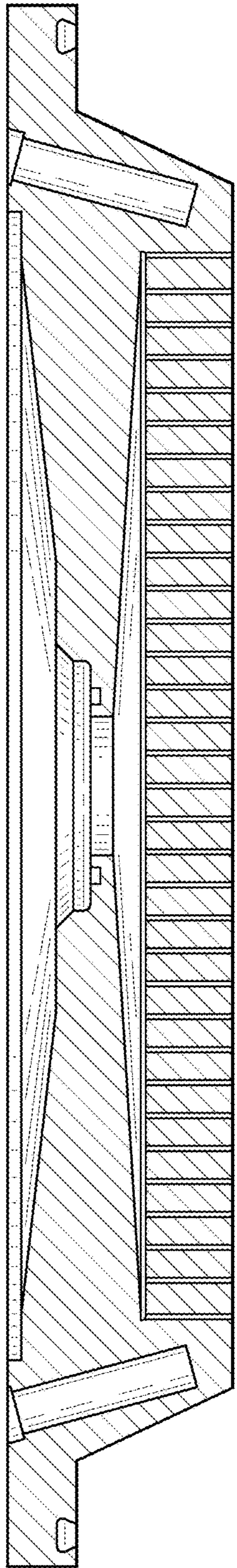


FIG. 11

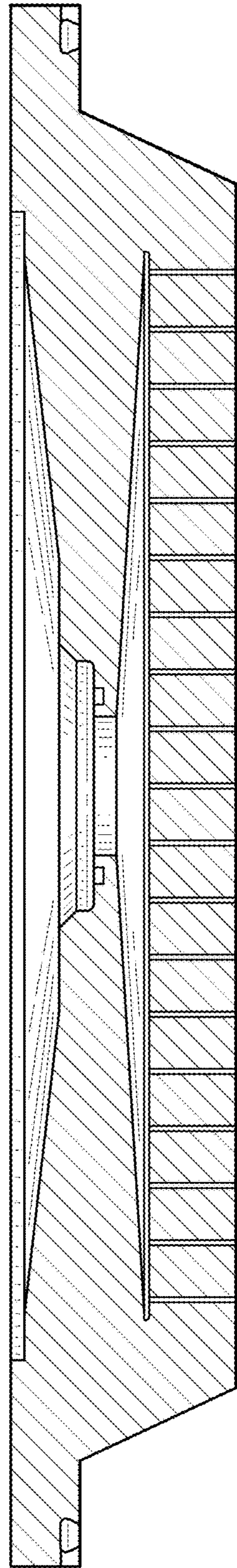


FIG. 12



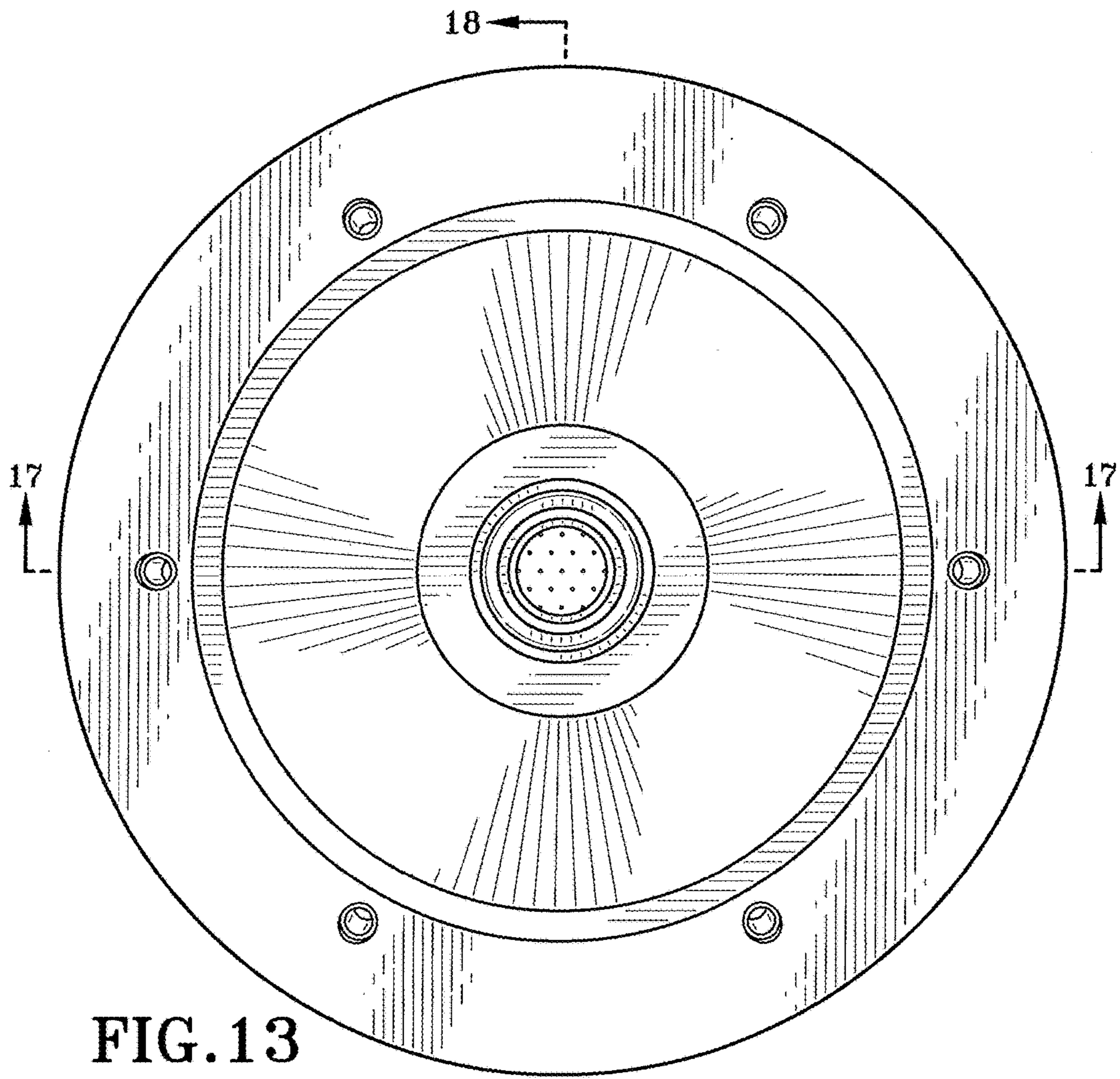


FIG. 13

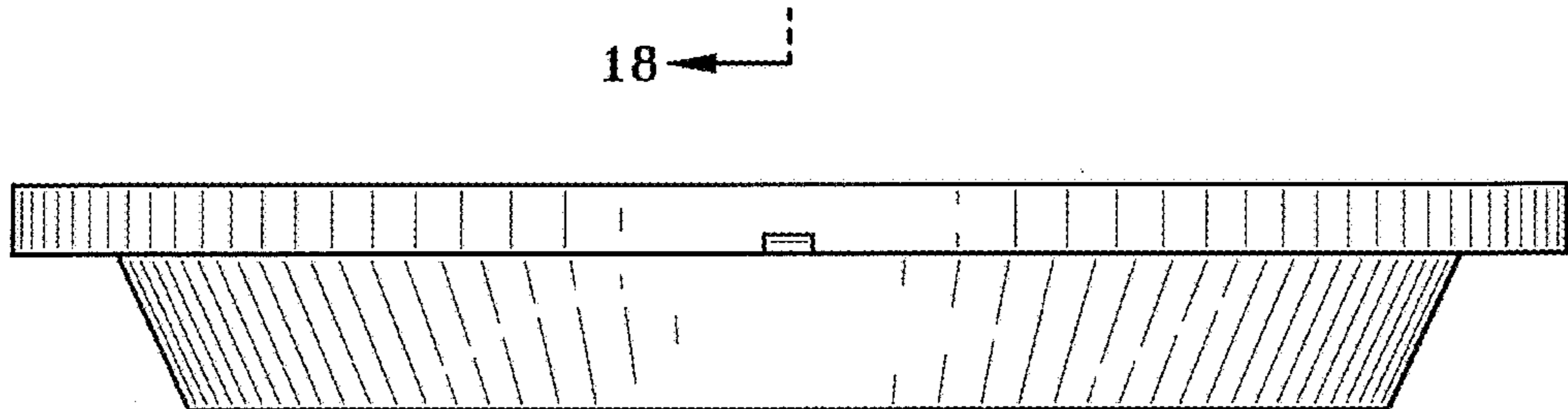


FIG. 14

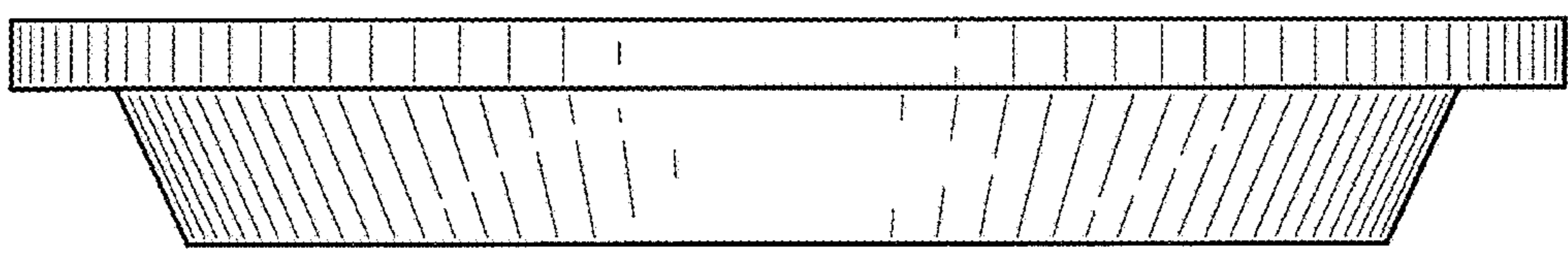


FIG. 15

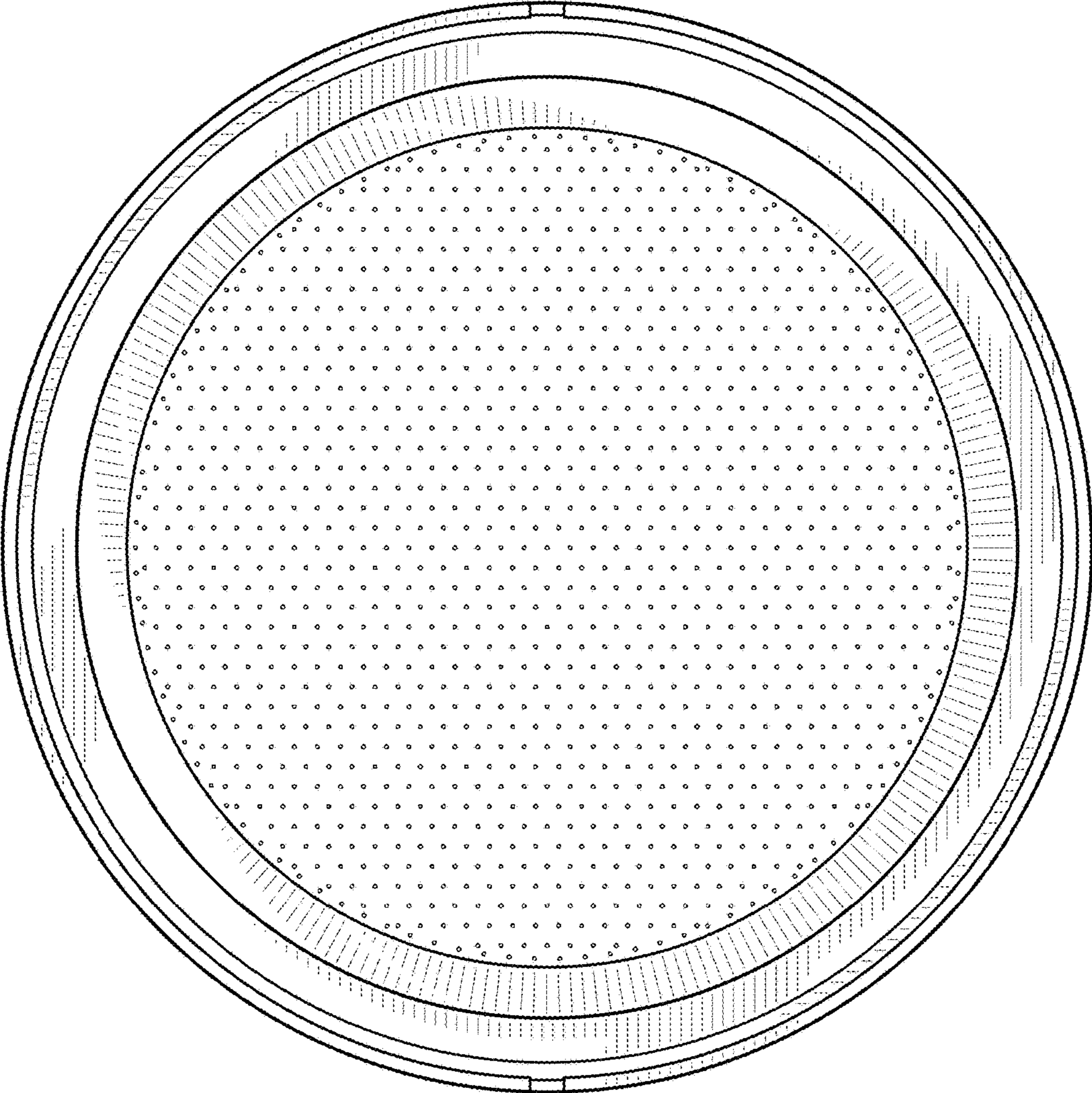


FIG. 16

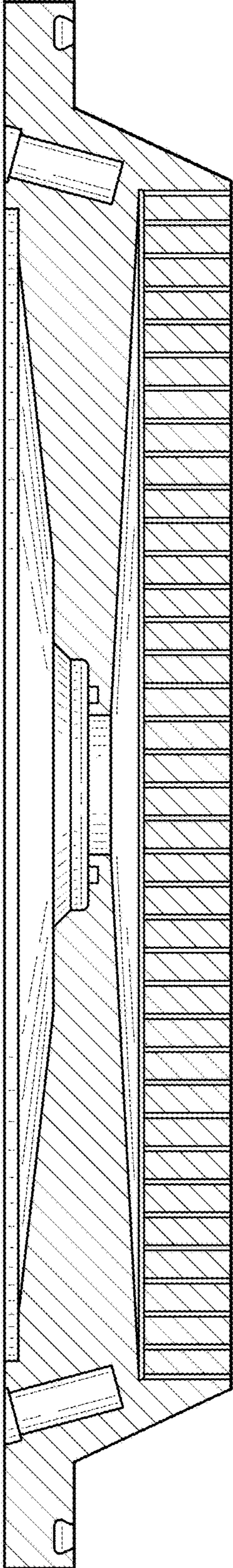


FIG. 17

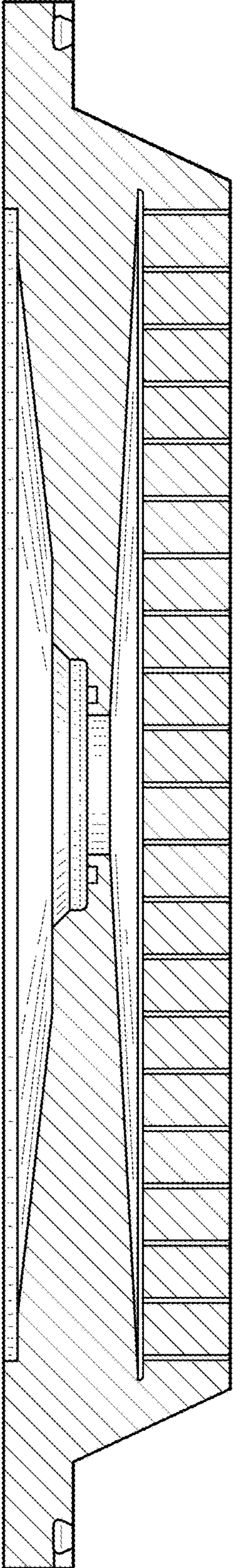


FIG. 18