

(19) World Intellectual Property Organization
International Bureau



(43) International Publication Date
19 July 2007 (19.07.2007)

PCT

(10) International Publication Number
WO 2007/080594 A3

(51) International Patent Classification:
H01J 37/08 (2006.01)

Hashita Street, 36800 Nesher (IL). MANOR, Yonatan [IL/IL]; 21 Raanan Street, 34304 Haifa (IL).

(21) International Application Number:
PCT/IL2007/000051

(74) Agents: G.E. EHRLICH (1995) LTD. et al.; 11 Menachem Begin Street, 52521 Ramat Gan (IL).

(22) International Filing Date: 14 January 2007 (14.01.2007)

(81) Designated States (unless otherwise indicated, for every kind of national protection available): AE, AG, AL, AM, AT, AU, AZ, BA, BB, BG, BR, BW, BY, BZ, CA, CH, CN, CO, CR, CU, CZ, DE, DK, DM, DZ, EC, EE, EG, ES, FI, GB, GD, GE, GH, GM, GT, HN, HR, HU, ID, IL, IN, IS, JP, KE, KG, KM, KN, KP, KR, KZ, LA, LC, LK, LR, LS, LT, LU, LV, LY, MA, MD, MG, MK, MN, MW, MX, MY, MZ, NA, NG, NI, NO, NZ, OM, PG, PH, PL, PT, RO, RS, RU, SC, SD, SE, SG, SK, SL, SM, SV, SY, TJ, TM, TN, TR, TT, TZ, UA, UG, US, UZ, VC, VN, ZA, ZM, ZW.

(25) Filing Language: English

(26) Publication Language: English

(30) Priority Data:
60/758,566 13 January 2006 (13.01.2006) US

(71) Applicant (for all designated States except US): TECHNION RESEARCH & DEVELOPMENT FOUNDATION LTD. [IL/IL]; Senate House, Technion City, 32000 Haifa (IL).

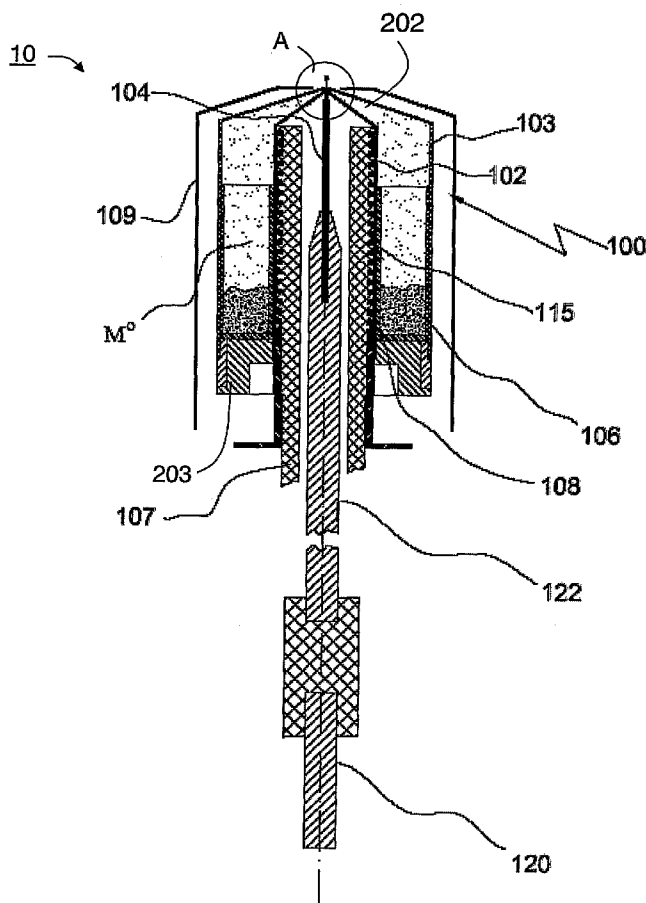
(72) Inventors; and

(75) Inventors/Applicants (for US only): KOLODNEY, Eli [IL/IL]; 11 Habroshim Street, 34483 Haifa (IL). BEKKERMAN, Anatoly [IL/IL]; 6/1 Gilboa Street, 32716 Haifa (IL). TSIPINYUK, Boris [IL/IL]; 9/7

(84) Designated States (unless otherwise indicated, for every kind of regional protection available): ARIPO (BW, GH, GM, KE, LS, MW, MZ, NA, SD, SL, SZ, TZ, UG, ZM, ZW), Eurasian (AM, AZ, BY, KG, KZ, MD, RU, TJ, TM), European (AT, BE, BG, CH, CY, CZ, DE, DK, EE, ES, FI, FR, GB, GR, HU, IE, IS, IT, LT, LU, LV, MC, NL, PL, PT,

[Continued on next page]

(54) Title: METHOD AND APPARATUS FOR GENERATING ION BEAM



(57) Abstract: A device for replenishing ionizable material (10) in a field ionization apparatus is disclosed. The device comprises a heatable reservoir (100) containing the ionizable material (106), a field ionization electrode structure (104), and a channel (202) being in fluid communication with said heatable reservoir. The heatable reservoir and the channel are designed and constructed such that when the heatable reservoir is heated to an evaporation temperature of the ionizable material, a flux of vaporized ionizable material is directed along the channel to a tip of the field ionization electrode structure.

WO 2007/080594 A3



RO, SE, SI, SK, TR), OAPI (BF, BJ, CF, CG, CI, CM, GA,
GN, GQ, GW, ML, MR, NE, SN, TD, TG).

— *before the expiration of the time limit for amending the
claims and to be republished in the event of receipt of
amendments*

Published:

— *with international search report*

(88) Date of publication of the international search report:

7 February 2008

INTERNATIONAL SEARCH REPORT

International application No

PCT/IL2007/000051

| A. CLASSIFICATION OF SUBJECT MATTER INV. H01J37/08 | | |
|---|--|---|
| According to International Patent Classification (IPC) or to both national classification and IPC | | |
| B. FIELDS SEARCHED | | |
| Minimum documentation searched (classification system followed by classification symbols) H01J | | |
| Documentation searched other than minimum documentation to the extent that such documents are included in the fields searched | | |
| Electronic data base consulted during the international search (name of data base and, where practical, search terms used) EPO-Internal, WPI Data, INSPEC | | |
| C. DOCUMENTS CONSIDERED TO BE RELEVANT | | |
| Category* | Citation of document, with indication, where appropriate, of the relevant passages | Relevant to claim No. |
| X | US 2005/269559 A1 (ZHOU OTTO Z [US] ET AL) 8 December 2005 (2005-12-08) | 1-3, 13, 14, 22-24, 26, 27, 29-31, 35-38 |
| Y | abstract paragraphs [0001] - [0010], [0026], [0029] - [0033], [0042], [0043], [0046] - [0049] claims 1,2 figures ----- -/-- | 4-12, 15-21, 25, 28, 32-34, 39-49 |
| <input checked="" type="checkbox"/> | Further documents are listed in the continuation of Box C. | <input checked="" type="checkbox"/> See patent family annex. |
| * Special categories of cited documents : | | |
| *A* document defining the general state of the art which is not considered to be of particular relevance *E* earlier document but published on or after the international filing date *L* document which may throw doubts on priority claim(s) or which is cited to establish the publication date of another citation or other special reason (as specified) *O* document referring to an oral disclosure, use, exhibition or other means *P* document published prior to the international filing date but later than the priority date claimed | | *T* later document published after the international filing date or priority date and not in conflict with the application but cited to understand the principle or theory underlying the invention *X* document of particular relevance; the claimed invention cannot be considered novel or cannot be considered to involve an inventive step when the document is taken alone *Y* document of particular relevance; the claimed invention cannot be considered to involve an inventive step when the document is combined with one or more other such documents, such combination being obvious to a person skilled in the art. *&* document member of the same patent family |
| Date of the actual completion of the international search 23 November 2007 | | Date of mailing of the international search report 04/12/2007 |
| Name and mailing address of the ISA/ European Patent Office, P.B. 5818 Patentlaan 2 NL - 2280 HV Rijswijk Tel. (+31-70) 340-2040, Tx. 31 651 epo nl, Fax: (+31-70) 340-3016 | | Authorized officer Stavroulis, Stefanos |

INTERNATIONAL SEARCH REPORT

International application No

PCT/IL2007/000051

| C(Continuation). DOCUMENTS CONSIDERED TO BE RELEVANT | | |
|--|--|----------------------------------|
| Category* | Citation of document, with indication, where appropriate, of the relevant passages | Relevant to claim No. |
| Y | JP 60 028147 A (NIPPON TELEGRAPH & TELEPHONE) 13 February 1985 (1985-02-13) abstract ----- | 1,4,5, 8-12,25, 32-34 |
| Y | JP 60 167249 A (HITACHI LTD) 30 August 1985 (1985-08-30) abstract ----- | 1,6-10 |
| Y | US 6 265 722 B1 (MARSH EUGENE P [US]) 24 July 2001 (2001-07-24) cited in the application the whole document ----- | 1,17-21, 39-49 |
| Y | DE 34 04 626 A1 (HITACHI LTD [JP]) 20 September 1984 (1984-09-20) the whole document ----- | 1,4,5,8, 9,11,12, 15-17,28 |
| A | GB 2 386 747 A (IONOPTIKA LTD [GB]) 24 September 2003 (2003-09-24) the whole document ----- | 1-49 |

INTERNATIONAL SEARCH REPORT

Information on patent family members

International application No

PCT/IL2007/000051

| Patent document cited in search report | Publication date | Patent family member(s) | Publication date |
|--|------------------|-------------------------------|--------------------------|
| US 2005269559 A1 | 08-12-2005 | WO 2005122265 A2 | 22-12-2005 |
| JP 60028147 A | 13-02-1985 | JP 1696451 C JP 2007500 B | 28-09-1992 19-02-1990 |
| JP 60167249 A | 30-08-1985 | NONE | |
| US 6265722 B1 | 24-07-2001 | US 2001035499 A1 | 01-11-2001 |
| DE 3404626 A1 | 20-09-1984 | JP 59165356 A US 4631448 A | 18-09-1984 23-12-1986 |
| GB 2386747 A | 24-09-2003 | NONE | |