



US00D836562S

(12) **United States Design Patent**
Karlsson

(10) **Patent No.:** **US D836,562 S**

(45) **Date of Patent:** **** Dec. 25, 2018**

(54) **CABLE GLAND**

(71) Applicant: **Per-Gustav Karlsson**, Vallentuna (SE)

(72) Inventor: **Per-Gustav Karlsson**, Vallentuna (SE)

(**) Term: **15 Years**

(21) Appl. No.: **35/503,042**

(22) Filed: **Nov. 22, 2016**

(80) **Hague Agreement Data**

Int. Filing Date: **Nov. 22, 2016**

Int. Reg. No.: **DM/093650**

Int. Reg. Date: **Nov. 22, 2016**

Int. Reg. Pub. Date: **May 26, 2017**

(51) **LOC (11) Cl.** **13-03**

(52) **U.S. Cl.**
USPC **D13/155**

(58) **Field of Classification Search**

USPC D13/133, 151, 156, 155
CPC H02G 15/013; H02G 3/22; H02G 15/007;
H02G 15/076; H02G 15/10; H02G
15/117; H02G 3/0691; H02G 3/088;
H02G 15/068; H02G 3/0616; H02G
15/04; H02G 15/06; H02G 15/08; H02G
15/23; H02G 3/02; H02G 3/0406
See application file for complete search history.

(56) **References Cited**

U.S. PATENT DOCUMENTS

D326,259 S * 5/1992 Studenski D13/156
D326,444 S * 5/1992 Studenski D13/152
D703,147 S * 4/2014 Hanson D13/151
D712,840 S * 9/2014 Sykes D13/151
D714,724 S * 10/2014 Vogelmann D13/133
D745,849 S * 12/2015 Hannah D13/151
9,231,397 B2* 1/2016 Chiu F16J 15/022
D754,607 S * 4/2016 Hofmann D13/133

D783,535 S * 4/2017 Dobler D13/133
9,704,620 B2* 7/2017 Martins Neto H02G 15/013
D804,426 S * 12/2017 Watkins D13/151
9,876,341 B2* 1/2018 Chiu H02G 15/007

* cited by examiner

Primary Examiner — Michael A. Pratt
(74) *Attorney, Agent, or Firm* — Studebaker & Brackett
PC

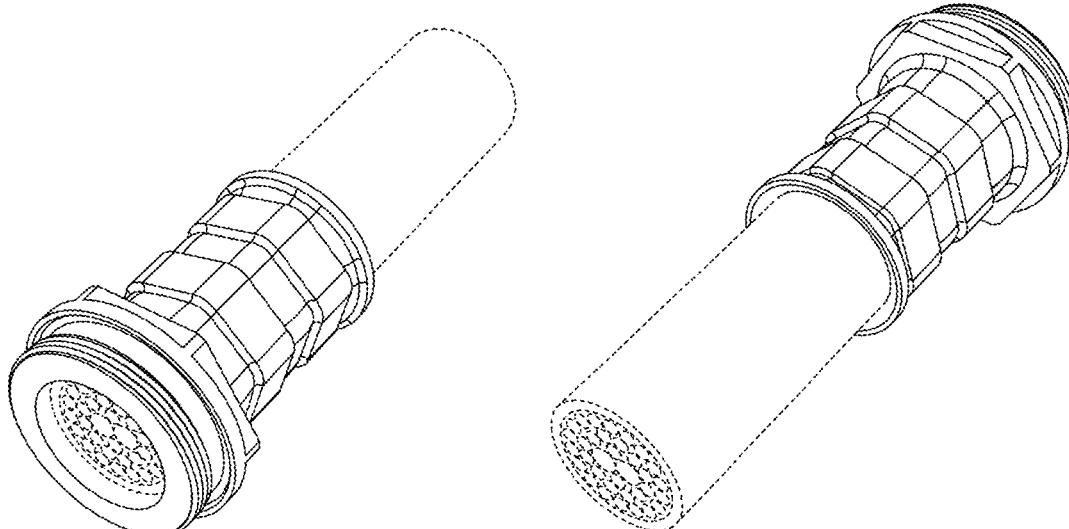
(57) **CLAIM**

The ornamental design for a cable gland, as shown and described.

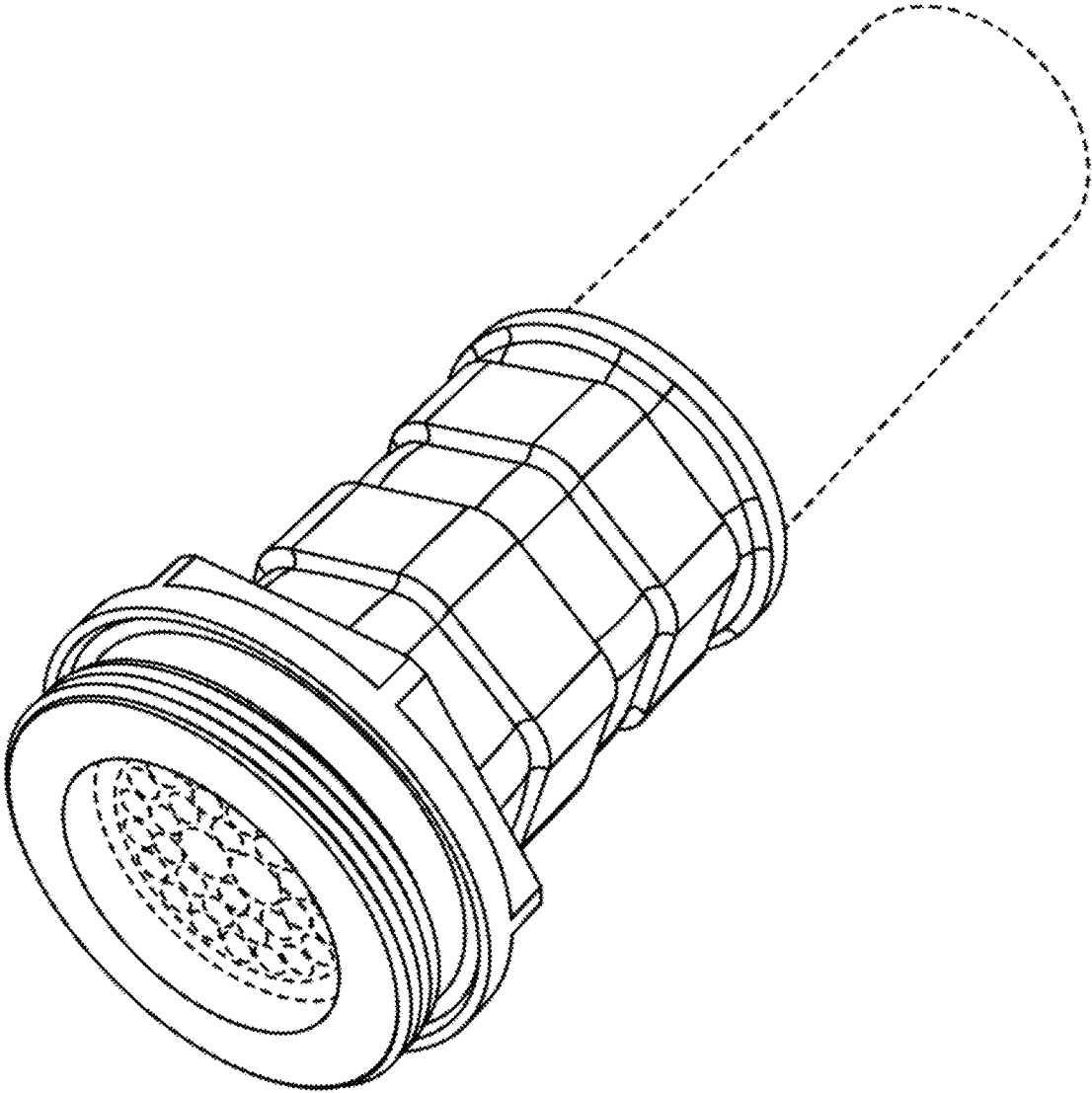
DESCRIPTION

1.-3. Cable gland
1.1 is a front perspective view of my new design for cable gland,
1.2 is a rear perspective view thereof,
1.3 is a left side view thereof,
1.4 is a right side view thereof,
1.5 is a top view thereof,
1.6 is a bottom view thereof,
2.1 is a front perspective view of an alternate embodiment,
2.2 is a rear perspective view thereof,
2.3 is a left side view thereof,
2.4 is a right side view thereof,
2.5 is a top view thereof,
2.6 is a bottom view thereof,
3.1 is a front perspective view of another alternate embodiment,
3.2 is a rear perspective view thereof,
3.3 is a left side view thereof,
3.4 is a right side view thereof,
3.5 is a top view thereof, and
3.6 is a bottom view thereof.
The broken line showing in figures 1.1 through 3.6 is for the purpose of illustrating environment and forms no part of the claimed design.

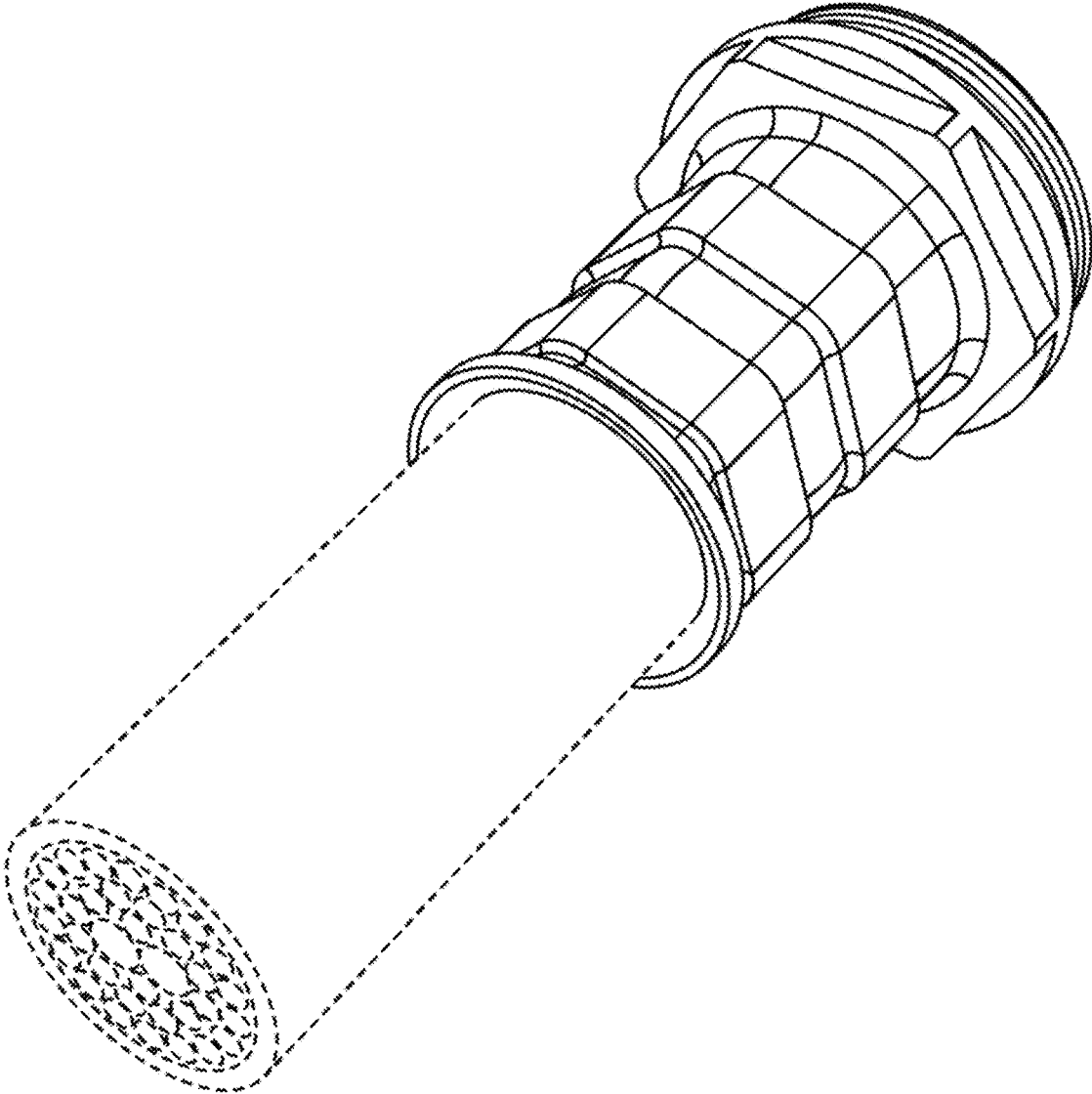
1 Claim, 18 Drawing Sheets



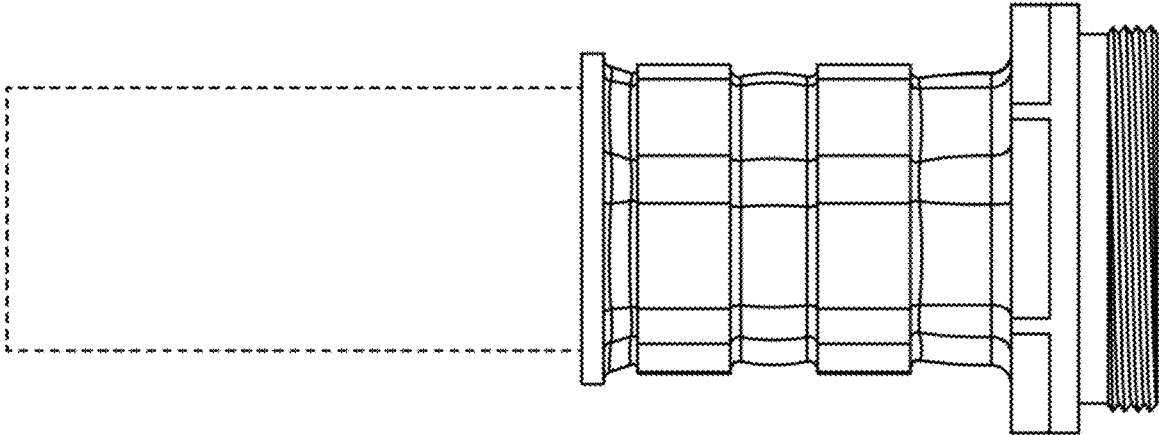
1.1



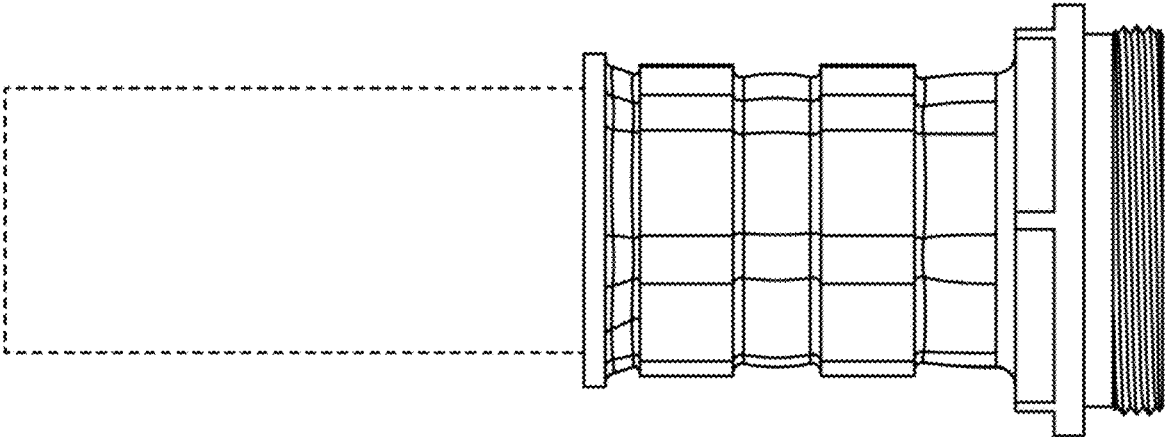
1.2



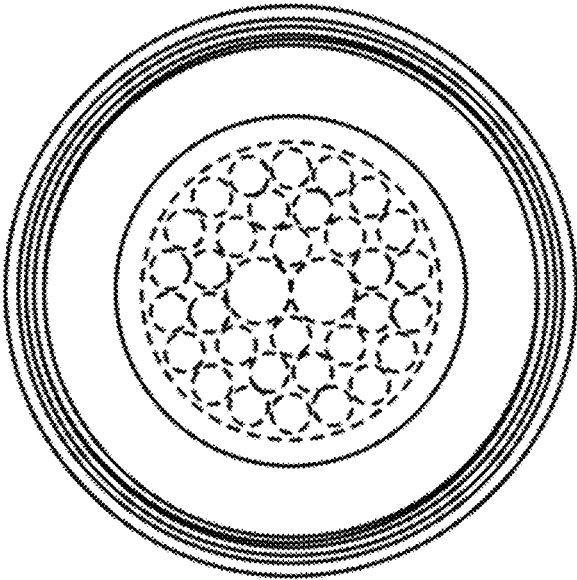
1.3



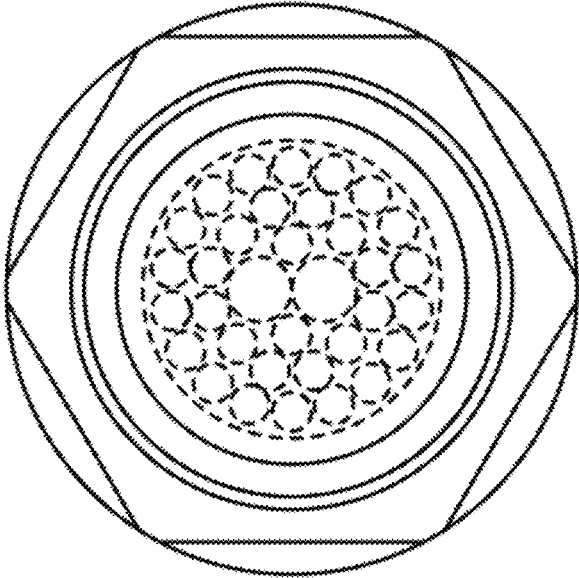
1.4



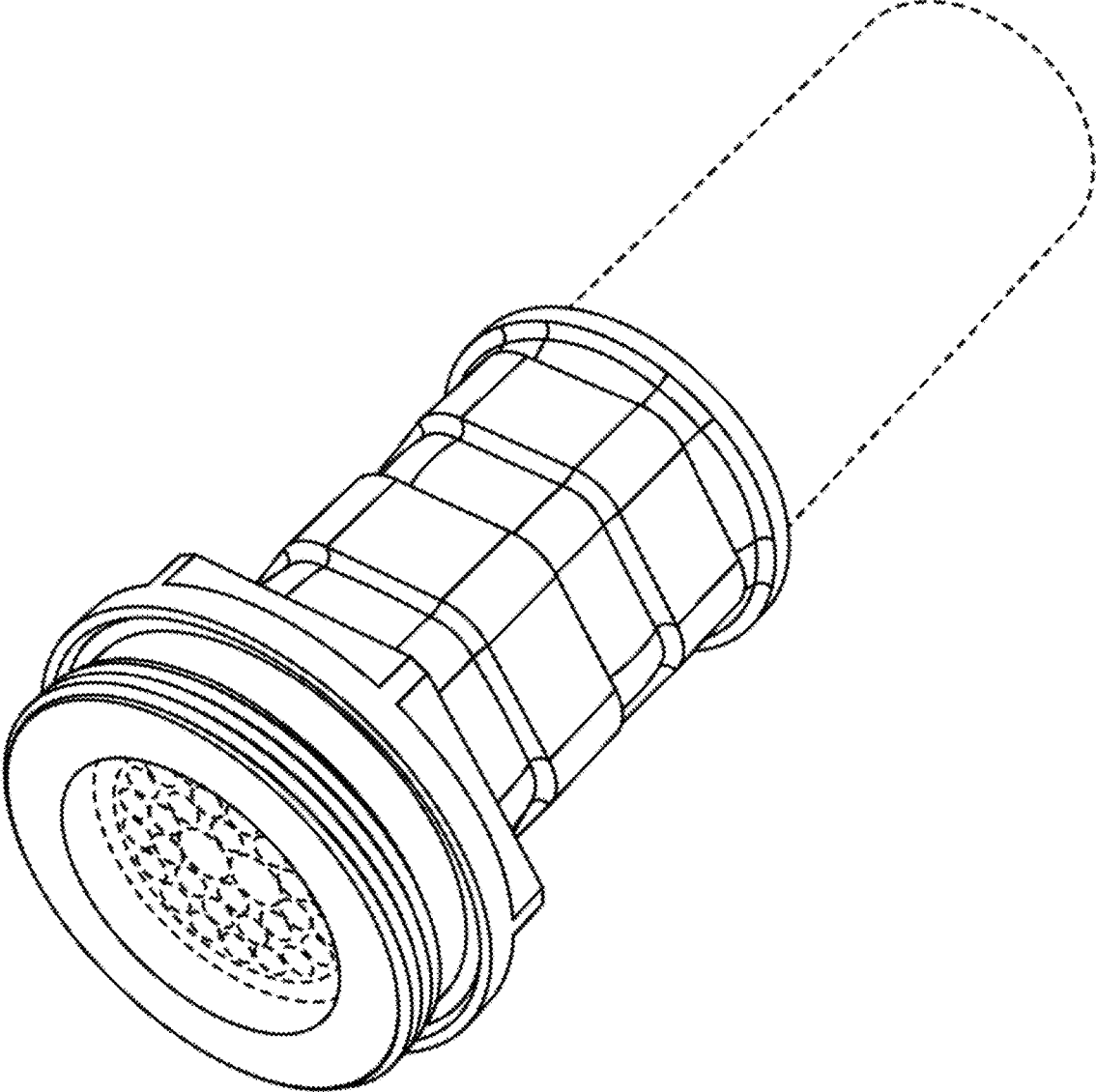
1.5



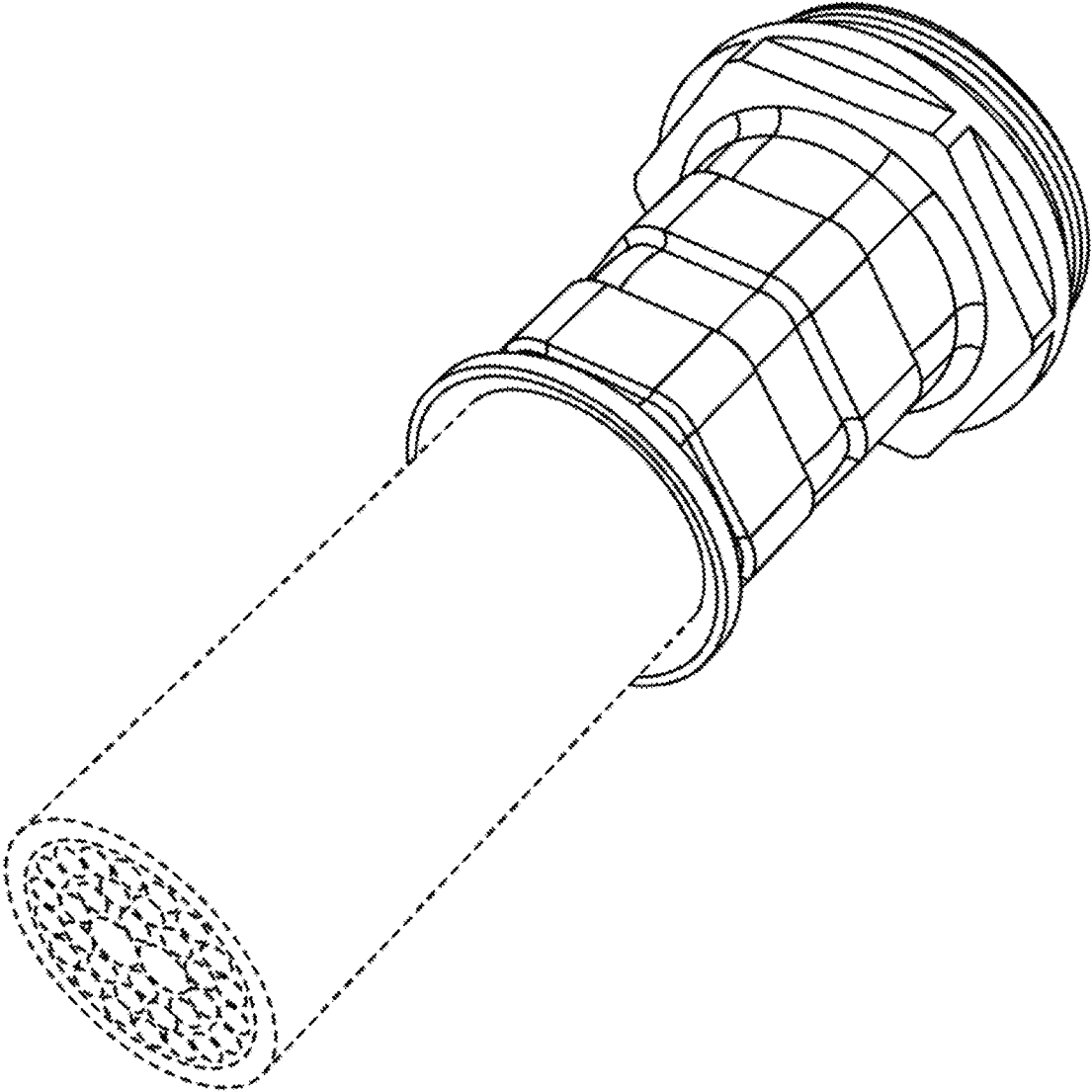
1.6



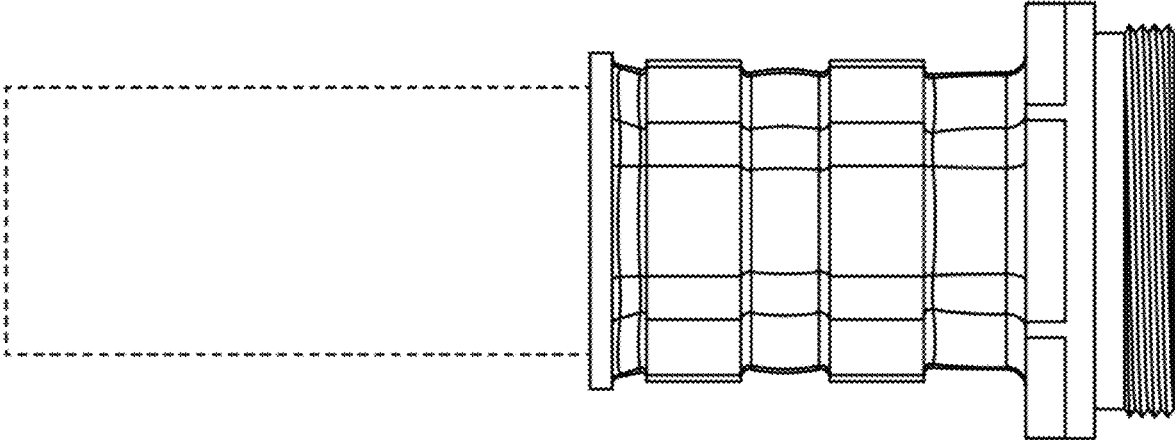
2.1



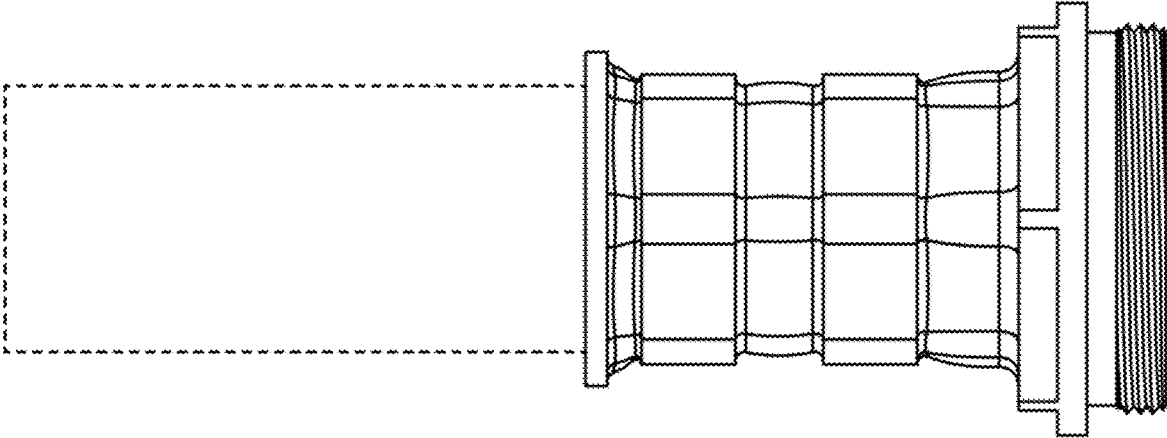
2.2



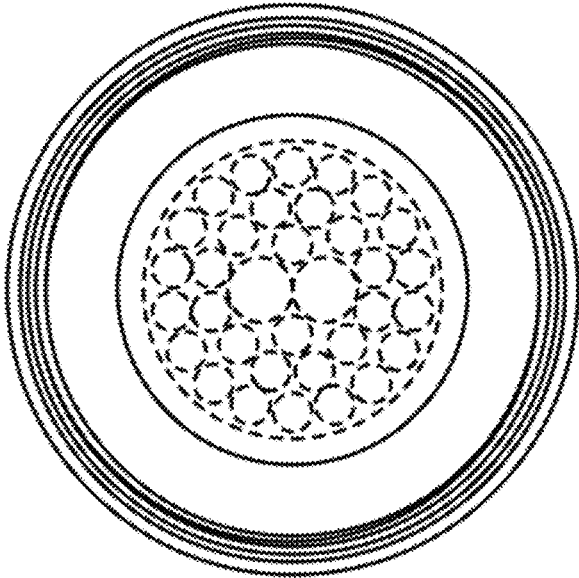
2.3



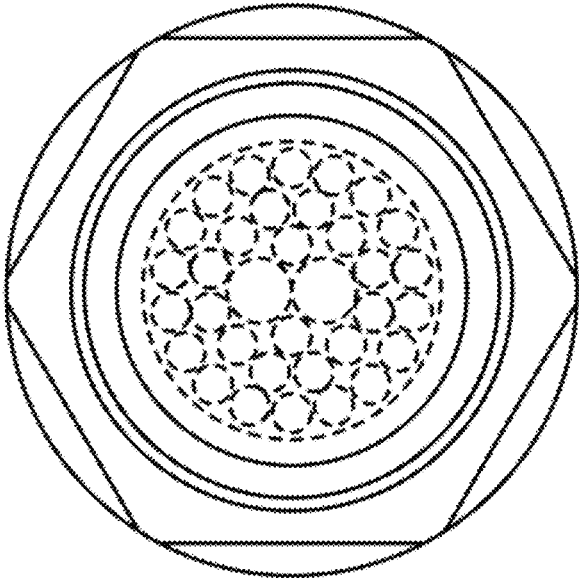
2.4



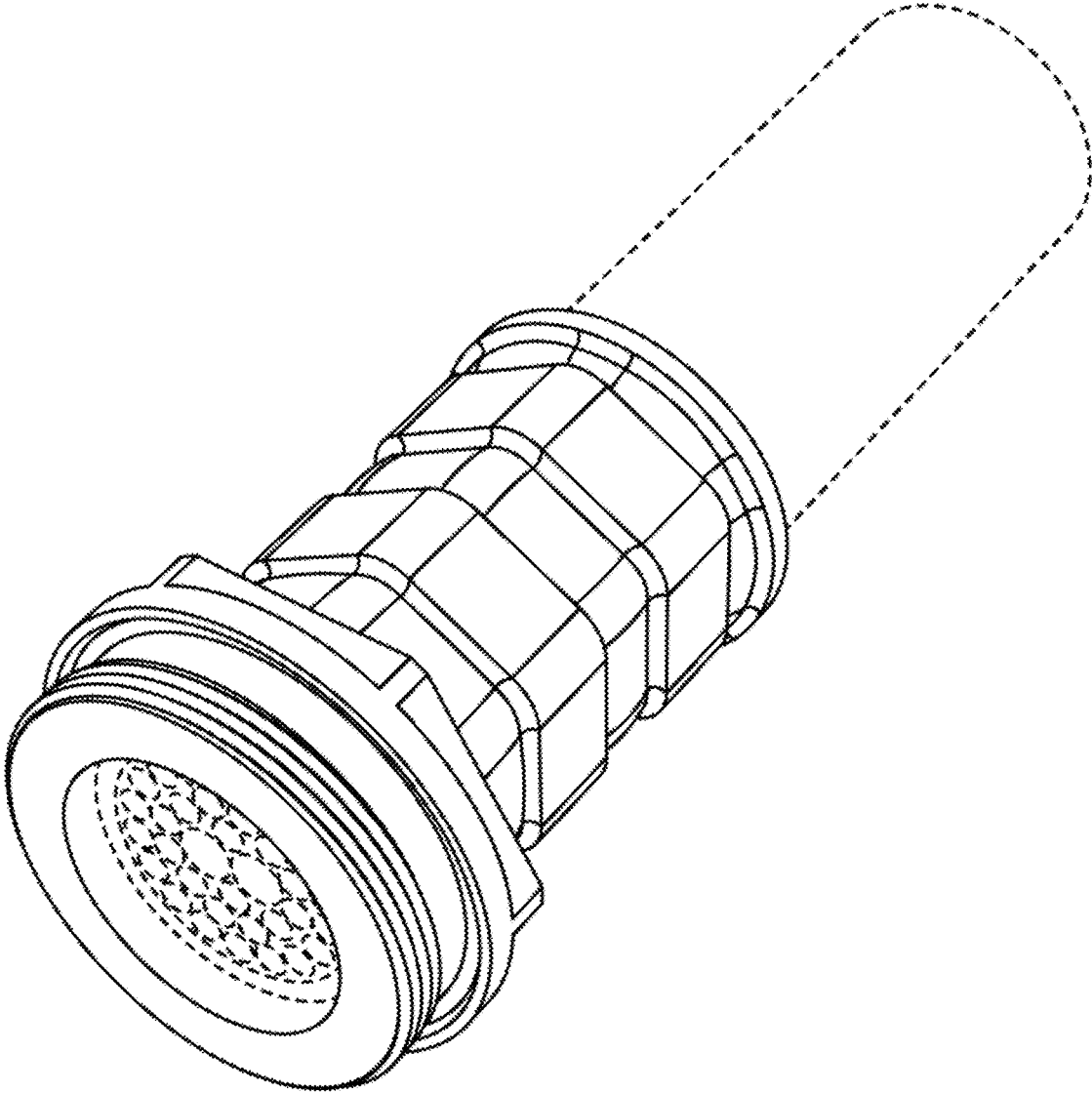
2.5



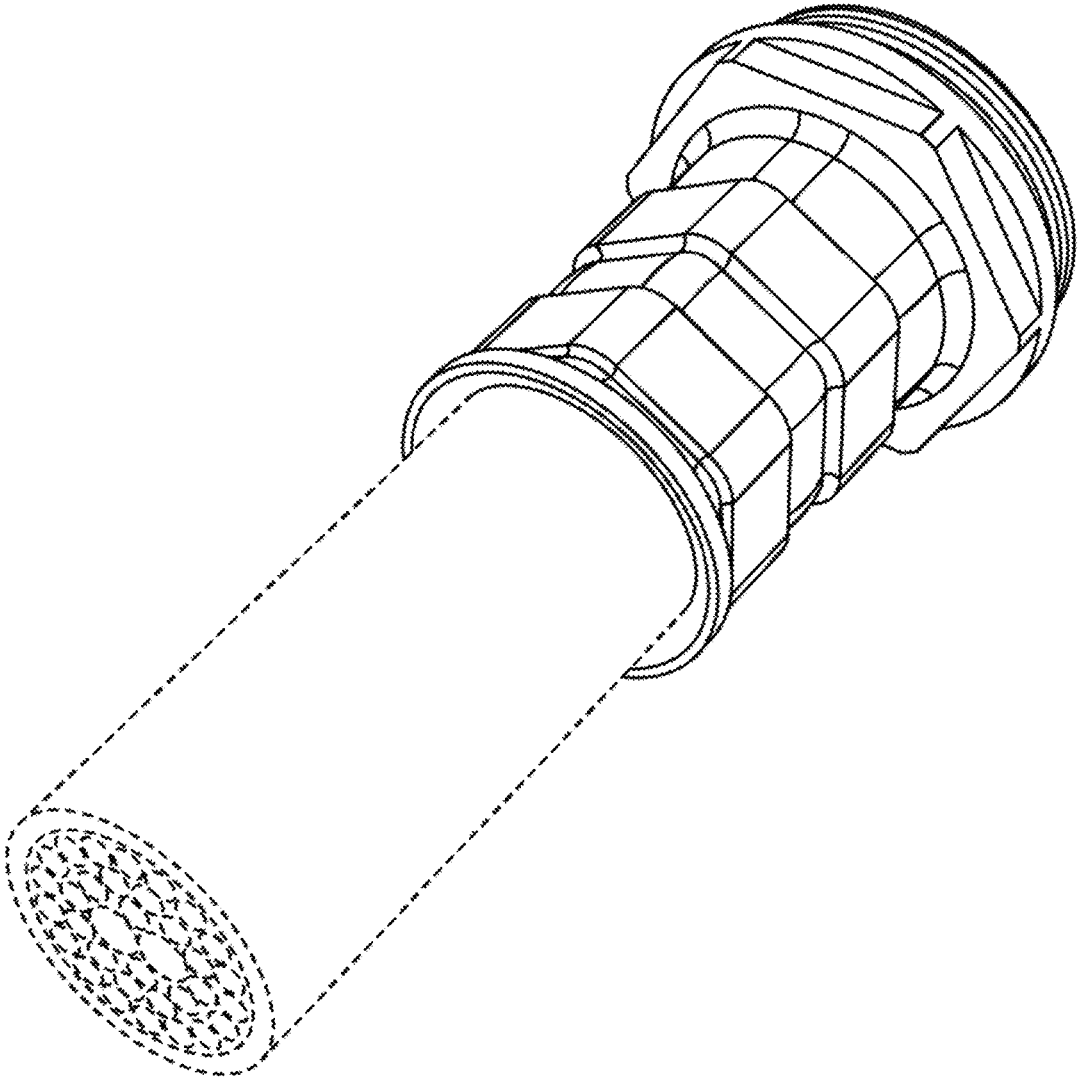
2.6



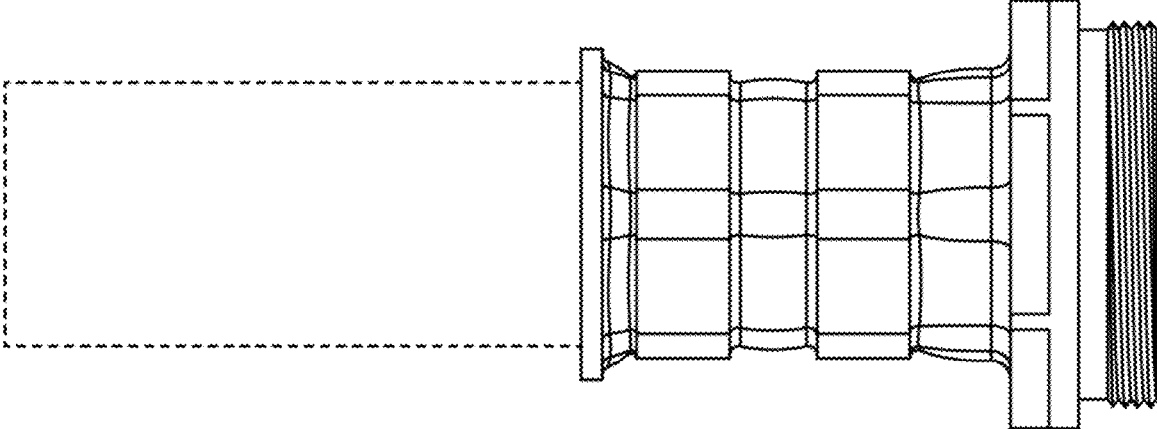
3.1



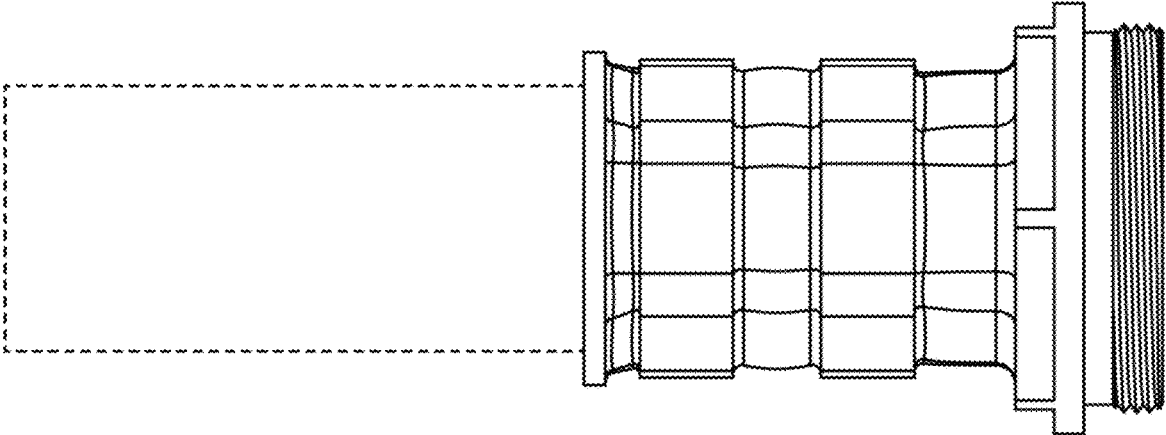
3.2



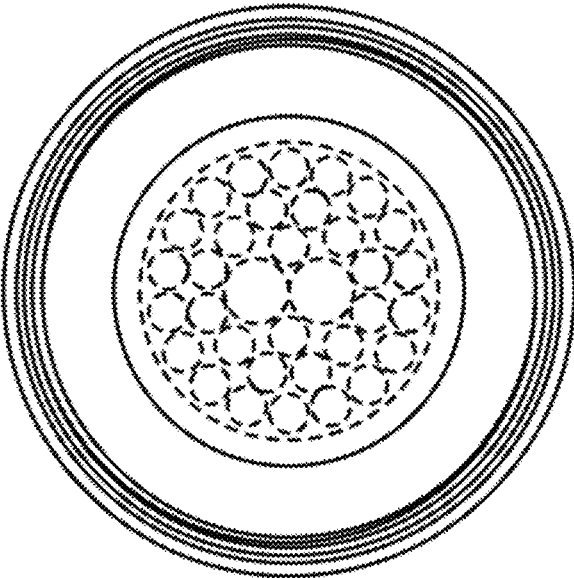
3.3



3.4



3.5



3.6

