



US00D945916S

(12) **United States Design Patent**
Lee

(10) **Patent No.:** **US D945,916 S**
(45) **Date of Patent:** **** Mar. 15, 2022**

- (54) **PAIR OF EARRINGS**
- (71) Applicant: **Bucherer AG**, Lucerne (CH)
- (72) Inventor: **Yunjo Lee**, Jersey City, NJ (US)
- (73) Assignee: **Bucherer AG**, Lucerne (CH)
- (**) Term: **15 Years**
- (21) Appl. No.: **29/773,773**
- (22) Filed: **Mar. 11, 2021**

D538,029 S *	3/2007	Knoepke	D11/79
D556,079 S	11/2007	Mouclier		
D564,993 S	3/2008	Hardy		
D566,606 S	4/2008	Hardy		
D570,240 S *	6/2008	Gruosi-Scheufele	D11/79
D603,289 S *	11/2009	Lebail	D11/43
D630,967 S *	1/2011	Lebail	D11/43
D658,532 S *	5/2012	Papadimitriou	D11/79
D662,437 S	6/2012	Verdeille		

(Continued)

Primary Examiner — Llorellys Martinez

(74) *Attorney, Agent, or Firm* — Leydig, Voit & Mayer, Ltd.

Related U.S. Application Data

- (62) Division of application No. 29/648,804, filed on May 24, 2018, now Pat. No. Des. 928,016.

Foreign Application Priority Data

Nov. 27, 2017 (WO) DM/098757

- (51) **LOC (13) Cl.** **11-01**
- (52) **U.S. Cl.**
USPC **D11/43**
- (58) **Field of Classification Search**
USPC D11/1, 26, 27, 34-39, 40-43, 45, 79, 86,
D11/91, 92
CPC A44C 17/02; A44C 7/00; A44C 7/001;
A44C 7/003
See application file for complete search history.

References Cited

U.S. PATENT DOCUMENTS

D326,827 S *	6/1992	Peterson	D11/40
D394,824 S *	6/1998	Itzkowitz	D11/79
D440,178 S	4/2001	Lavayssiere		
D440,179 S	4/2001	Morelle		
D499,046 S *	11/2004	Pinto	D11/79
D505,637 S	6/2005	Lev Sercarz		
D514,470 S *	2/2006	Pinto	D11/79
D534,454 S	1/2007	Karachi-Langane		

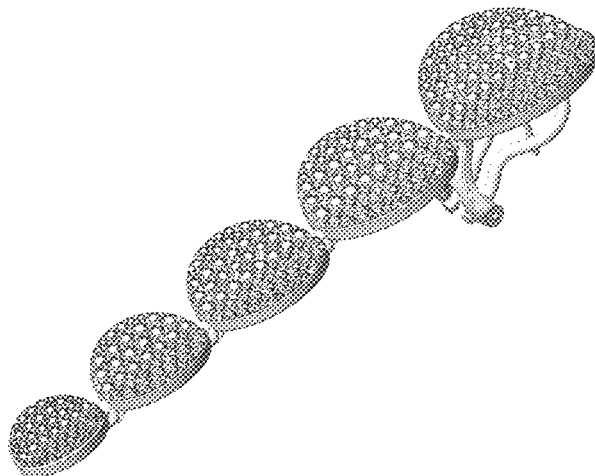
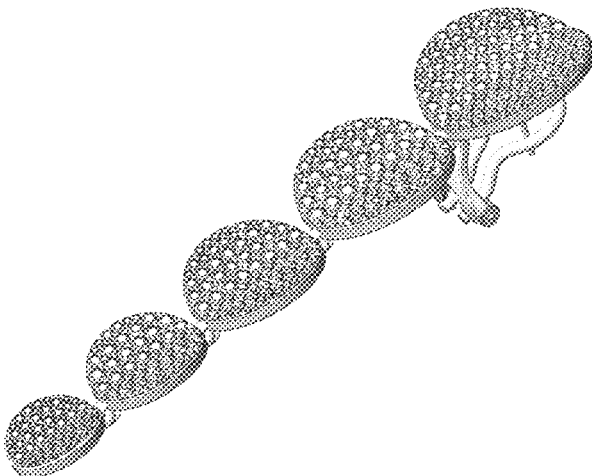
(57) **CLAIM**

The ornamental design for a pair of earrings, as shown and described.

DESCRIPTION

FIG. 1 is a front elevation view of the first earring of a pair of earrings, showing my new design.
 FIG. 2 is a front perspective view of the pair of earrings of FIG. 1.
 FIG. 3 is a back perspective view of the pair of earrings of FIG. 1.
 FIG. 4 is a left side elevation view of the pair of earrings of FIG. 1.
 FIG. 5 is an enlarged, top plan view of the pair of earrings of FIG. 1.
 FIG. 6 is a front elevation view of the second earring of the pair of earrings, showing my new design.
 FIG. 7 is a front perspective view of the pair of earrings of FIG. 6.
 FIG. 8 is a back perspective view of the pair of earrings of FIG. 6.
 FIG. 9 is a left side elevation view of the pair of earrings of FIG. 6; and,
 FIG. 10 is an enlarged, top plan view of the earring of FIG. 6.

1 Claim, 10 Drawing Sheets



(56)

References Cited

U.S. PATENT DOCUMENTS

D666,521	S *	9/2012	Yakubovich	D11/91
D684,085	S *	6/2013	Papadimitriou	D11/42
8,584,329	B2 *	11/2013	Dhakka	A44C 17/046 D11/91
D704,086	S	5/2014	DiPietro	
D708,541	S	7/2014	Norendzayan	
D714,181	S *	9/2014	Thompson	D11/43
D722,279	S *	2/2015	Kirkham	D11/43
D725,544	S	3/2015	Yatsugi-Kang	
D788,630	S	6/2017	Zander	
D788,732	S	6/2017	Choe et al.	
D789,235	S	6/2017	Krainz	
D809,956	S	2/2018	Komerup et al.	
D813,077	S	3/2018	Noble	
D816,534	S	5/2018	Barouch et al.	
D820,141	S	6/2018	Korhammer et al.	
D820,715	S	6/2018	Le Bail	
D876,273	S *	2/2020	Lee	D11/41
D878,964	S *	3/2020	Bonoli	D11/91
D881,062	S *	4/2020	Gad	D11/79
D883,841	S *	5/2020	Lee	D11/34
D900,664	S *	11/2020	Gad	D11/79
D900,665	S *	11/2020	Gad	D11/79
D900,666	S *	11/2020	Gad	D11/79
D900,667	S *	11/2020	Gad	D11/79
2016/0106186	A1	4/2016	Noble	
2017/0317705	A1	11/2017	Duneier et al.	
2018/0035767	A1	2/2018	Benhamou	
2018/0125182	A1	5/2018	Barouch et al.	

* cited by examiner

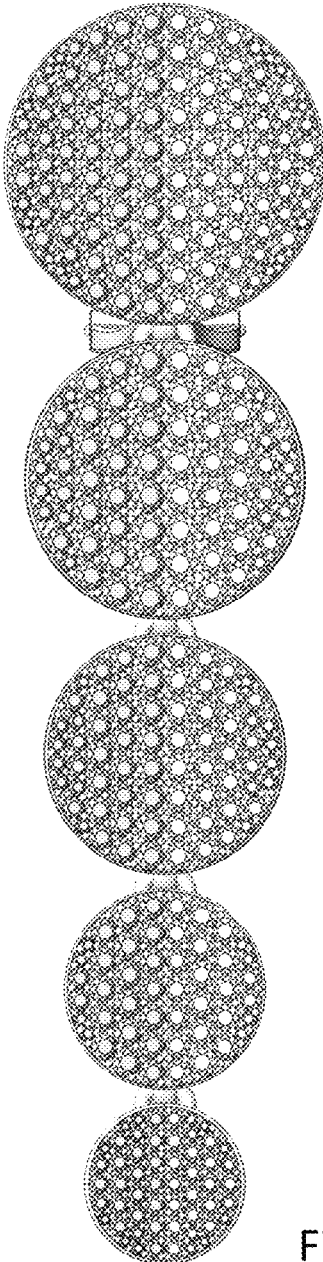


Fig. 1

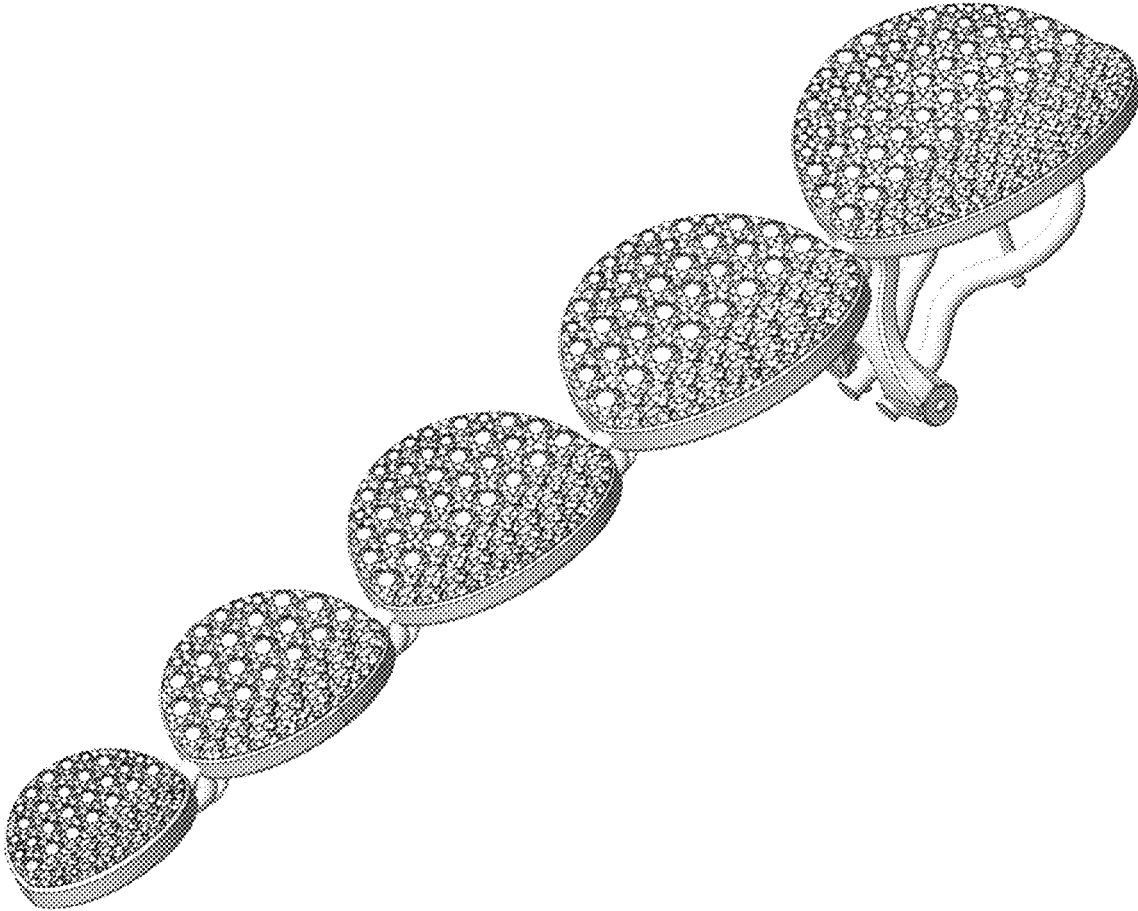


Fig. 2

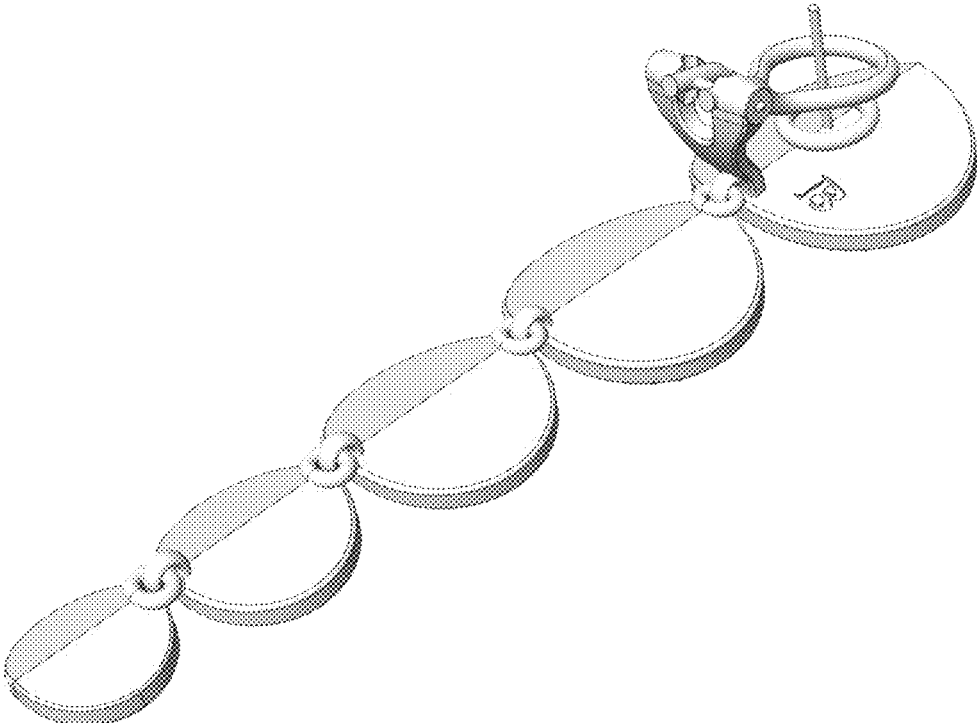


Fig. 3



Fig. 4

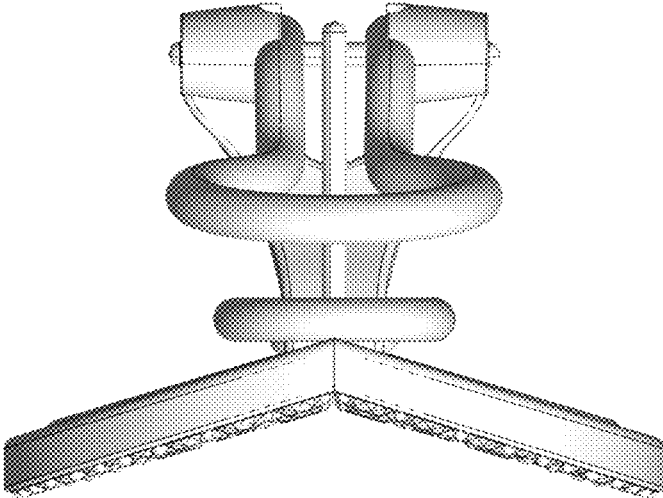


Fig. 5

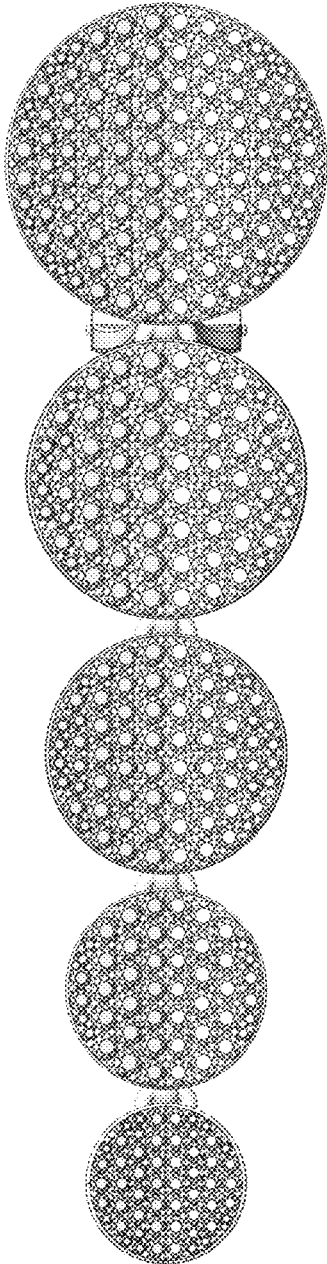


Fig. 6

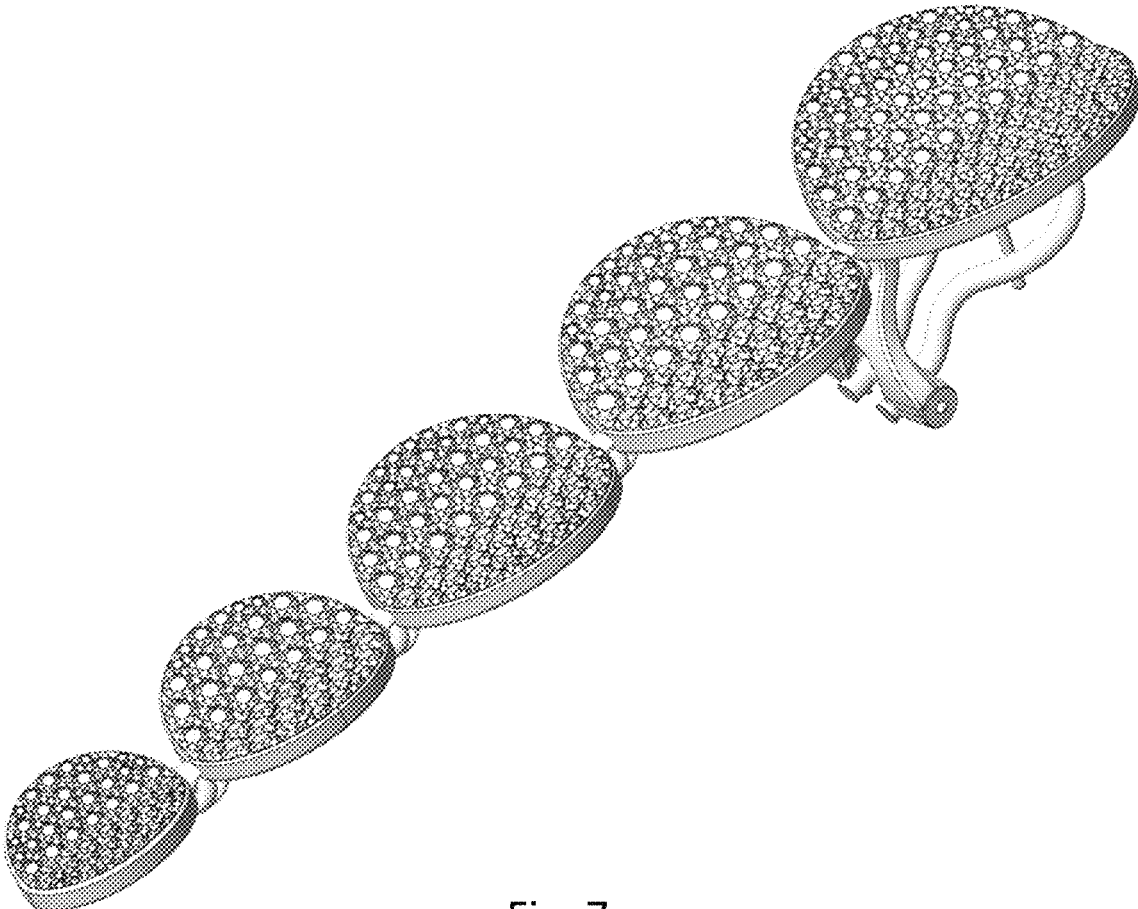


Fig. 7

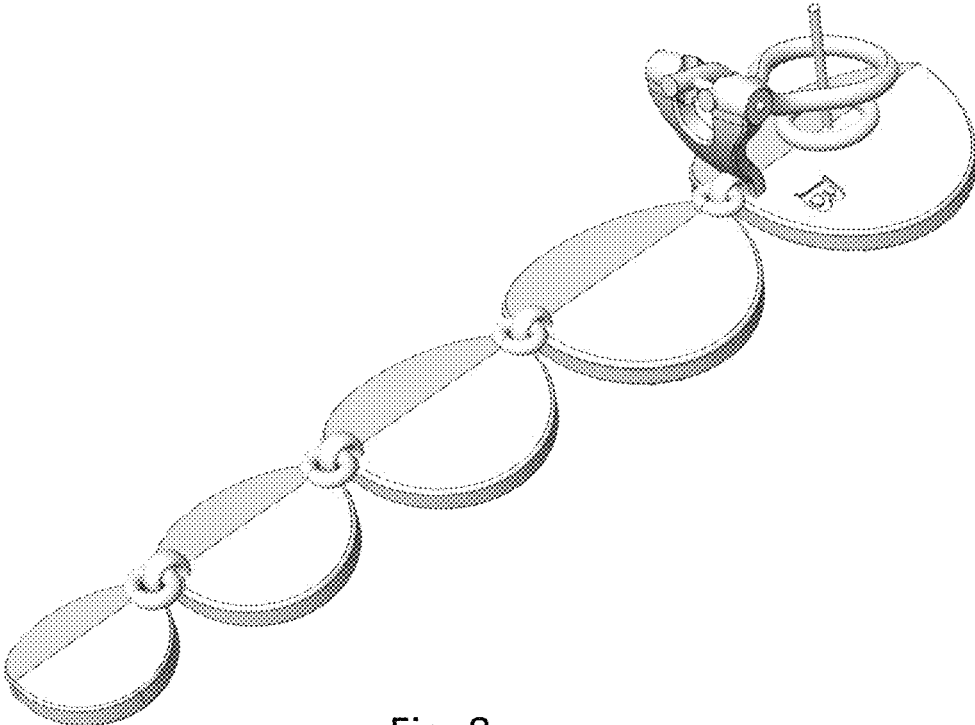


Fig. 8



Fig. 9

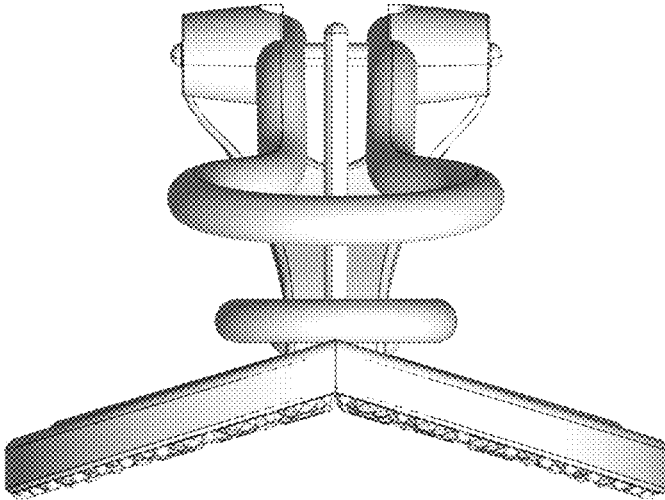


Fig. 10