



US00D381812S

United States Patent [19]

[11] Patent Number: Des. 381,812

Sharrah et al.

[45] Date of Patent: **Aug. 5, 1997

[54] FLASHLIGHT

Attorney, Agent, or Firm—Dann, Dorfman, Herrell and Skillman

[75] Inventors: Raymond Sharrah, Collegeville; Duncan Copeland; Vellisa VanScoyoc, both of Newtown, all of Pa.

[57] CLAIM

The ornamental design for a flashlight, as shown and described.

[73] Assignee: Streamlight, Inc., Norristown, Pa.

DESCRIPTION

[**] Term: 14 Years

FIG. 1 is a perspective view of a flashlight showing our new design;

[21] Appl. No.: 57,880

FIG. 2 is a side elevational view of the flashlight, with the opposite side being substantially the same as the side shown;

[22] Filed: Aug. 2, 1996

FIG. 3 is a top plan view thereof;

Related U.S. Application Data

FIG. 4 is a bottom plan view thereof;

[63] Continuation-in-part of Ser. No. 45,334, Oct. 16, 1995 .

FIG. 5 is a front elevational view thereof;

[51] LOC (6) Cl. 26-02

FIG. 6 is a rear elevational view thereof;

[52] U.S. Cl. D26/49

FIG. 7 is a perspective view of an alternative configuration of the flashlight of FIG. 1;

[58] Field of Search D26/37-50; 362/157, 362/158, 183-191, 194-208

FIG. 8 is a left side elevational view of the flashlight in the alternative configuration of FIG. 7;

References Cited

FIG. 9 is a right side elevational view of the flashlight of FIG. 7;

U.S. PATENT DOCUMENTS

- D. 267,278 12/1982 Yau D26/49
- D. 285,356 8/1986 Schosser et al. D26/49
- D. 296,478 6/1988 Powell et al. D26/49
- D. 297,669 9/1988 Rinaldi et al. D26/49

FIG. 10 is a top plan view of the flashlight of FIG. 7;

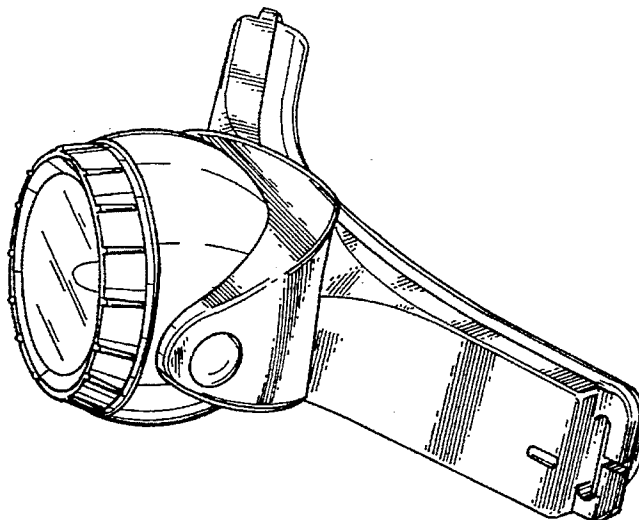
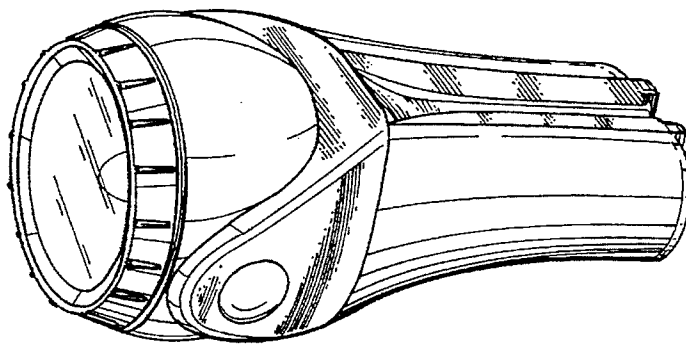
FIG. 11 is a bottom plan view of the flashlight of FIG. 7;

FIG. 12 is a front elevational view of the flashlight of FIG. 7; and,

FIG. 13 is a rear elevational view of the flashlight of FIG. 7.

Primary Examiner—Marcus A. Jackson

1 Claim, 6 Drawing Sheets



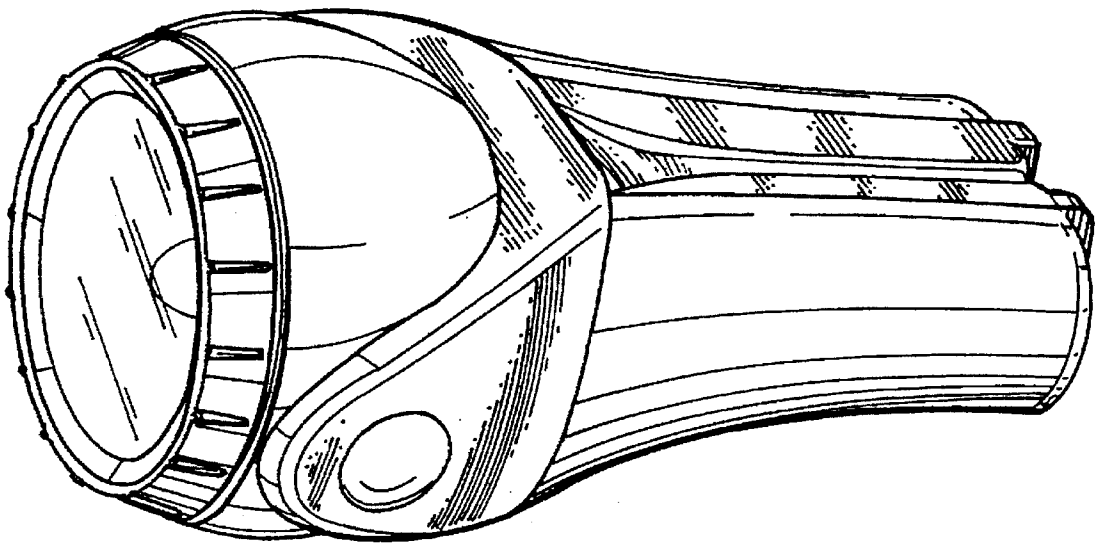


FIG. 1

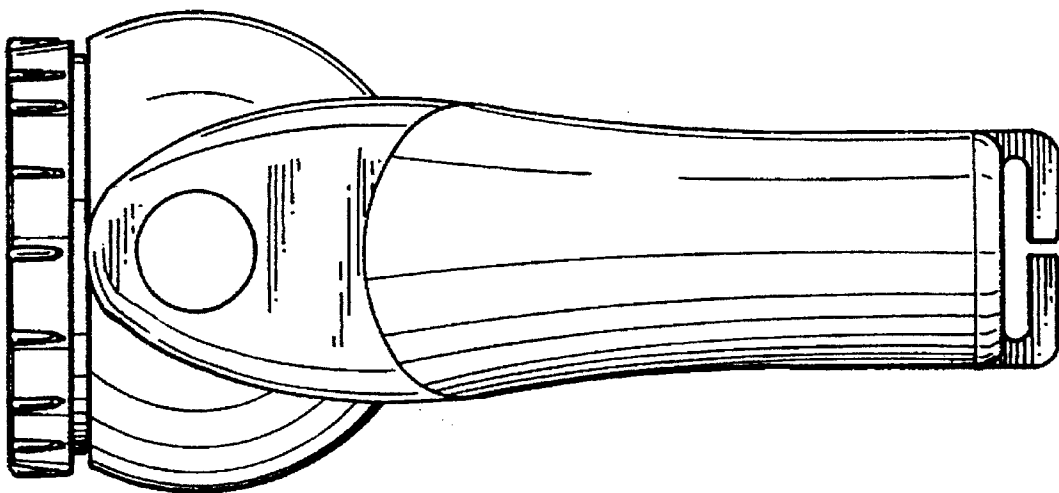


FIG. 2

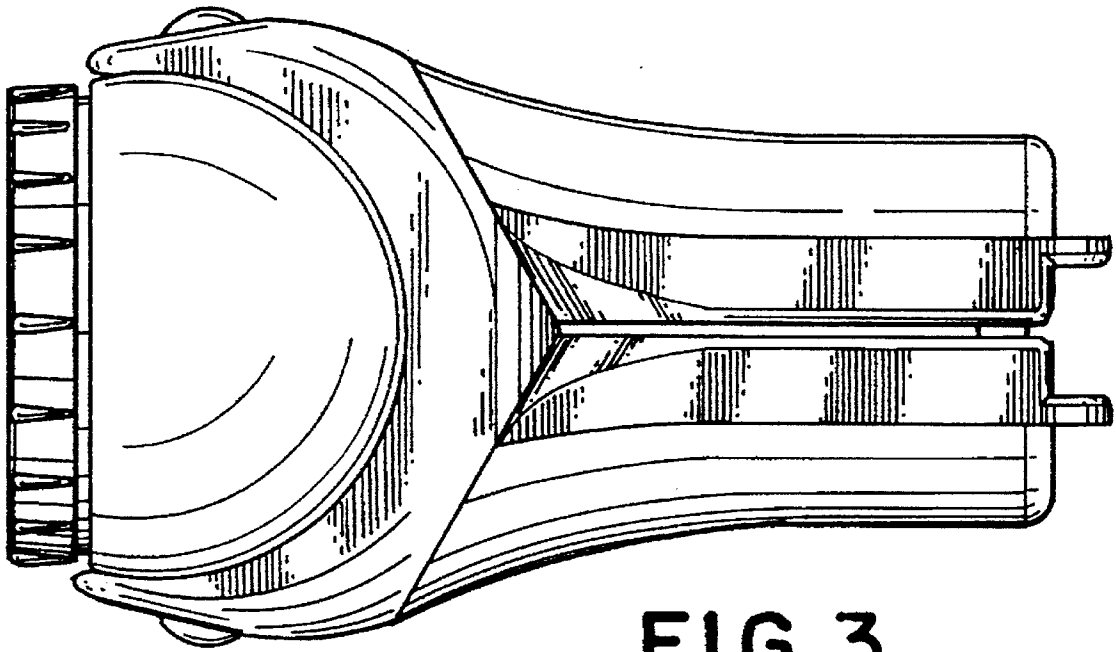


FIG. 3

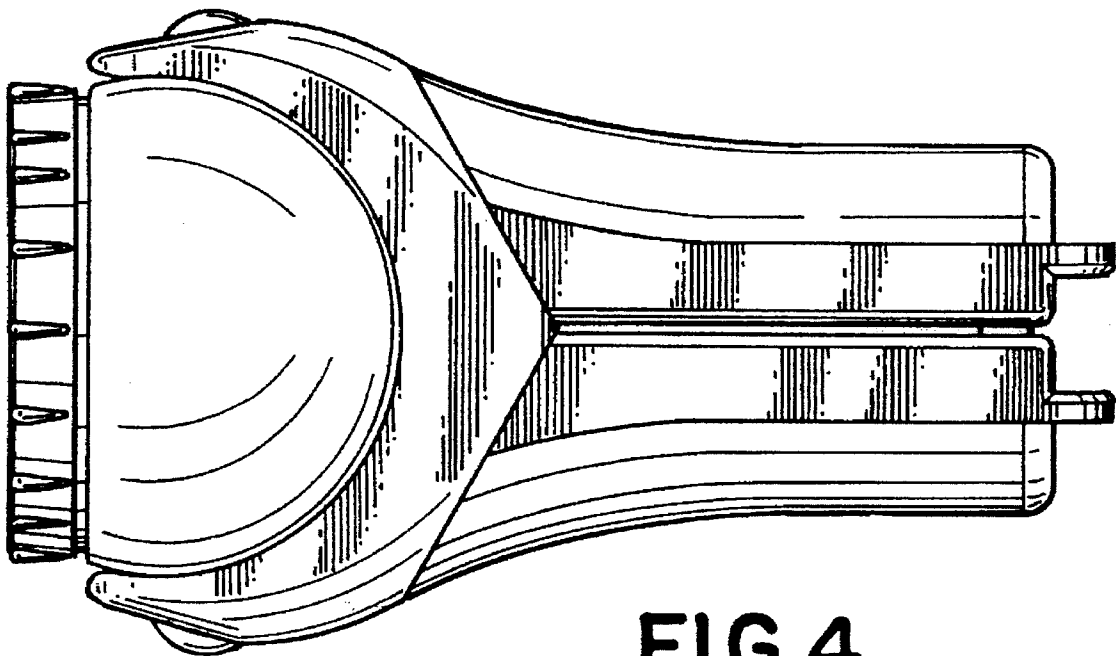


FIG. 4

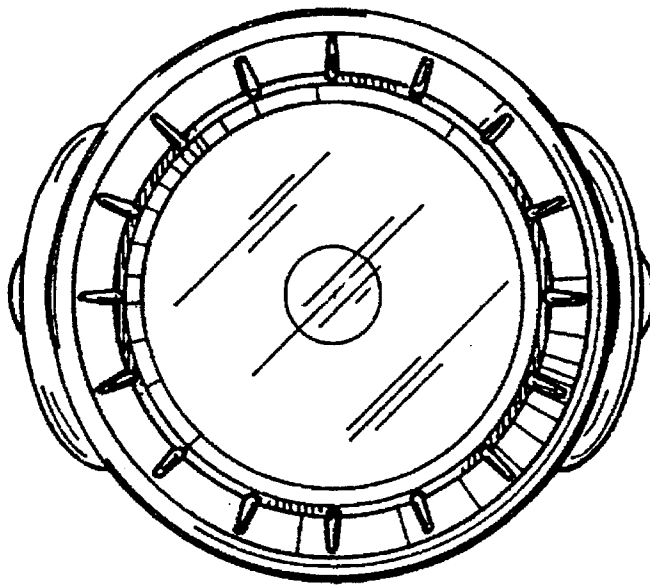


FIG. 5

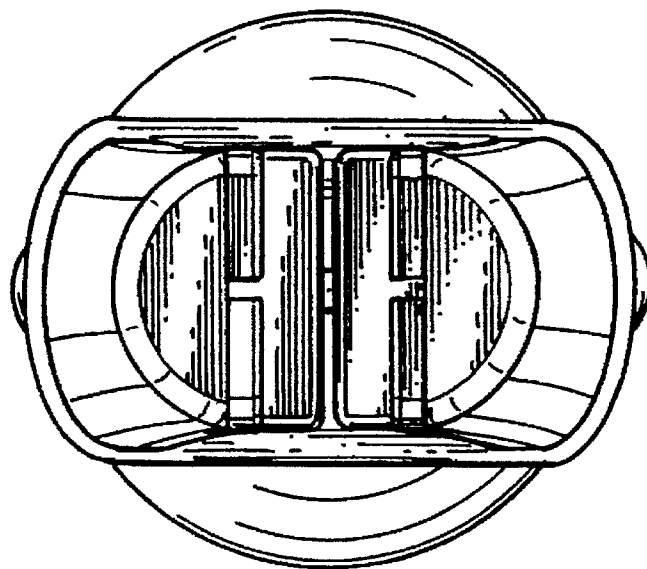


FIG. 6

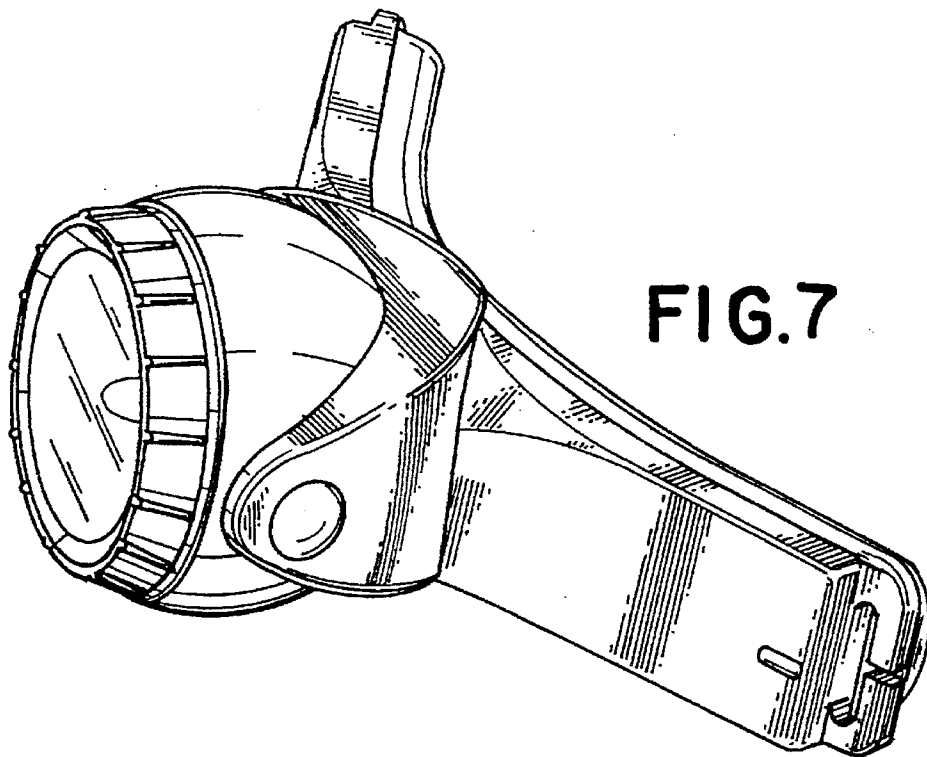


FIG. 7

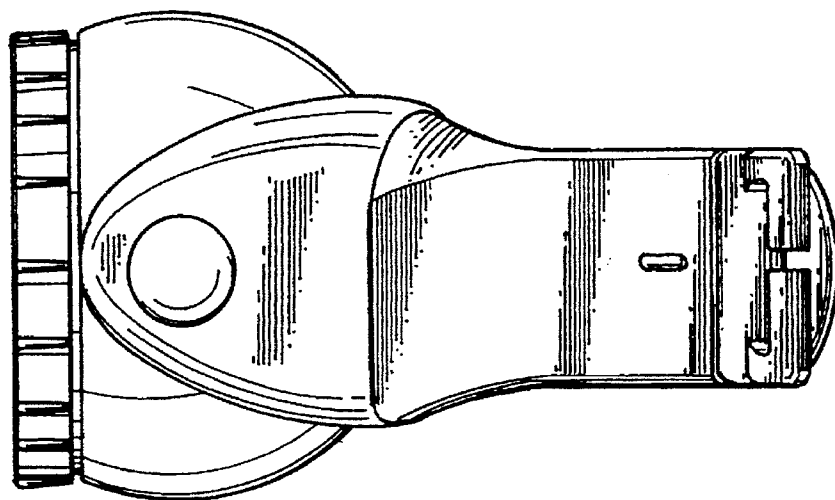


FIG. 8

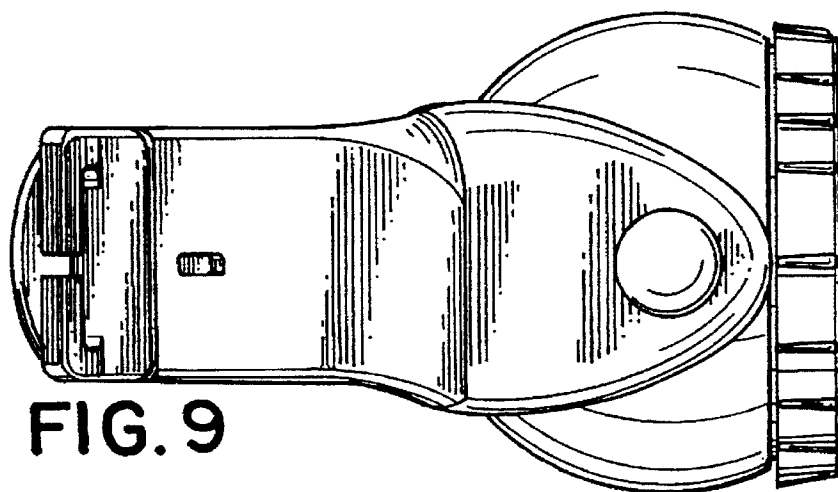


FIG. 9

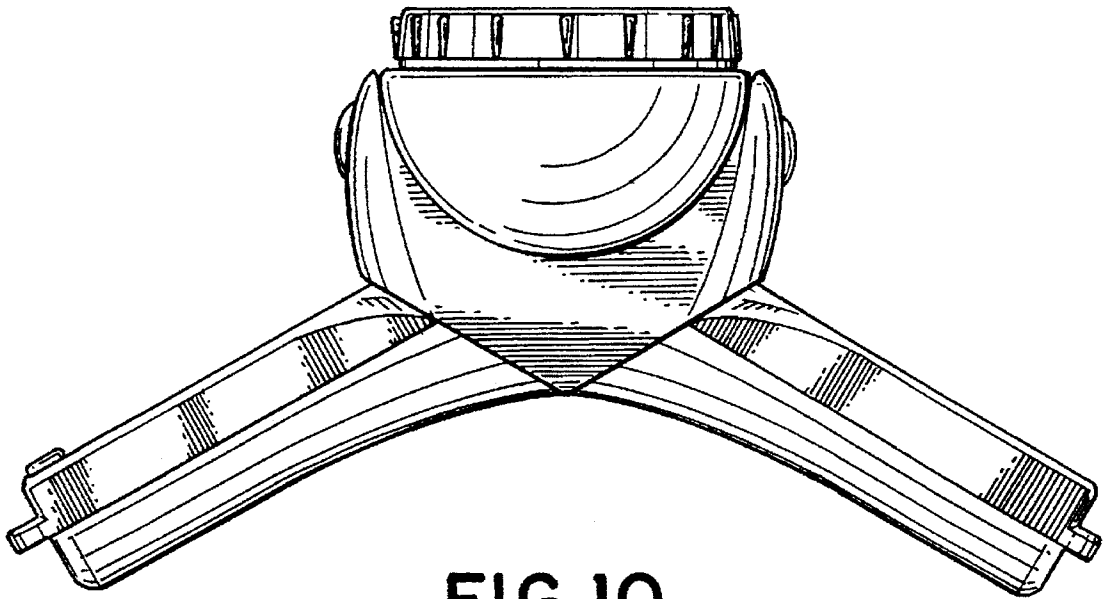


FIG. 10

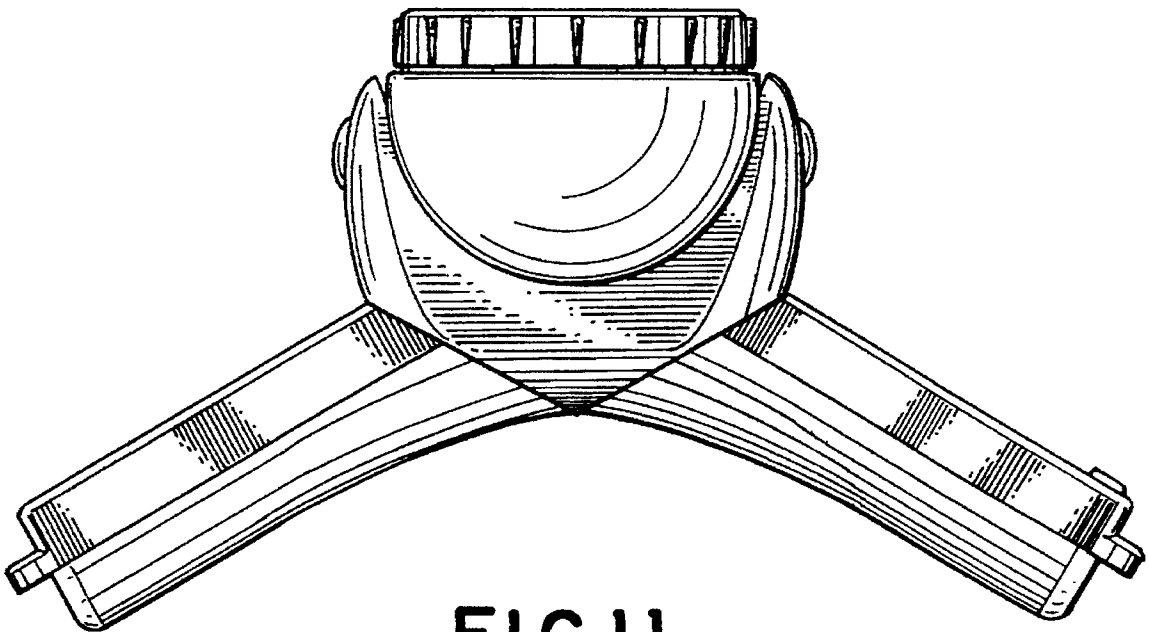


FIG. 11

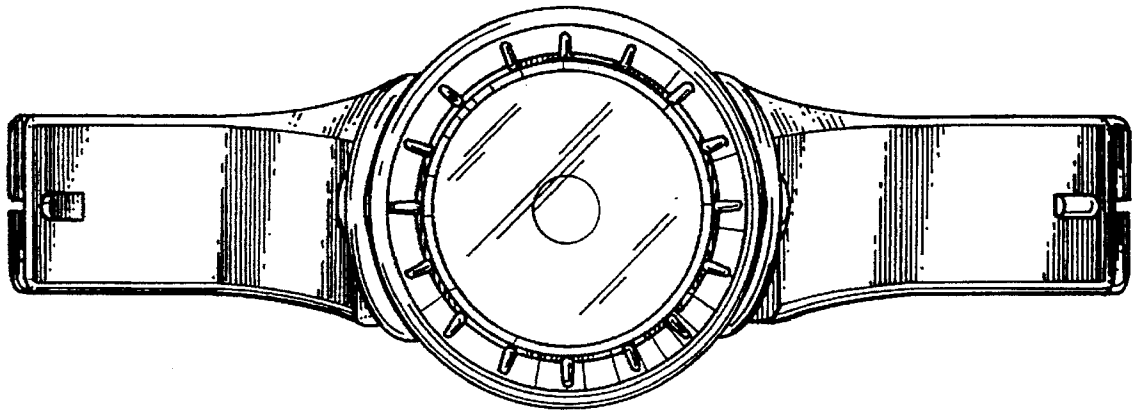


FIG. 12

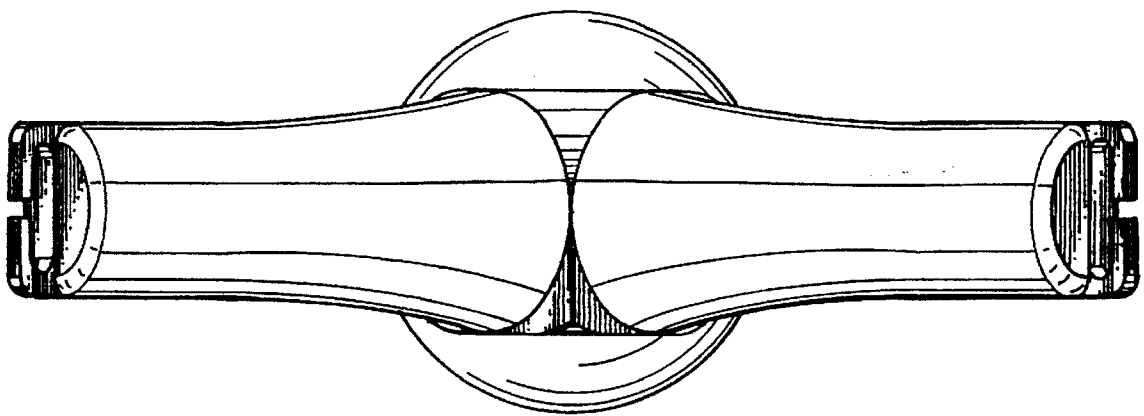


FIG. 13