



US00D823841S

(12) **United States Design Patent**
Marini

(10) **Patent No.:** **US D823,841 S**

(45) **Date of Patent:** **** Jul. 24, 2018**

(54) **SLIDING HOLDER FOR A RFID PUCK**

(71) Applicant: **Hector Noel Marini**, Palm City, FL
(US)

(72) Inventor: **Hector Noel Marini**, Palm City, FL
(US)

(**) Term: **15 Years**

(21) Appl. No.: **29/611,643**

(22) Filed: **Jul. 24, 2017**

(51) **LOC (11) Cl.** **14-03**

(52) **U.S. Cl.**
USPC **D14/238**

(58) **Field of Classification Search**
USPC D14/238, 341-347, 371, 426, 427, 432,
D14/440; D10/30-39, 103
CPC .. A61B 2017/60442; A61B 2017/6824; A61B
5/681; A61B 5/02438; A61B 5/1112;
A61B 5/0022; H04B 1/385; A44C 5/14;
A44C 5/12
See application file for complete search history.

(56) **References Cited**

U.S. PATENT DOCUMENTS

D682,126 S *	5/2013	Tello	B42D 25/22	D10/70
D693,709 S *	11/2013	Lee	D10/65	
D730,225 S *	5/2015	Behar	D10/103	
D751,558 S *	3/2016	Lee	D10/103	
D752,044 S *	3/2016	Akana	D14/344	
D766,904 S *	9/2016	Jung	D14/440	

D766,905 S *	9/2016	Lee	D14/440
D766,906 S *	9/2016	Kim	D14/440
D767,573 S *	9/2016	Kim	D14/440
D769,879 S *	10/2016	Kim	D14/440
D784,837 S *	4/2017	Kuramoto	D10/132
D786,879 S *	5/2017	Kim	D14/440
D795,089 S *	8/2017	Wright	D10/32
9,723,910 B2 *	8/2017	Due	A45F 5/10
D799,344 S *	10/2017	Wright	D10/30
D800,700 S *	10/2017	Bergman	D14/217

* cited by examiner

Primary Examiner — Brandon M Rosati

Assistant Examiner — Harold E Blackwell, II

(74) *Attorney, Agent, or Firm* — Troutman Sanders LLP

(57) **CLAIM**

The ornamental design for a sliding holder for a RFID puck, as shown and described.

DESCRIPTION

FIG. 1 is a front elevation view of the sliding holder for a RFID puck;
FIG. 2 is a right side elevation view thereof;
FIG. 3 is a left side elevation view thereof;
FIG. 4 is a rear elevation view thereof;
FIG. 5 is a top plan view thereof;
FIG. 6 is a bottom plan view thereof;
FIG. 7 is a perspective top-front-right view thereof; and,
FIG. 8 is a perspective view of the sliding holder for a RFID puck attached to a watch strap.
The broken line showing in the drawings illustrates the environment of the claimed design and forms no part thereof.

1 Claim, 8 Drawing Sheets

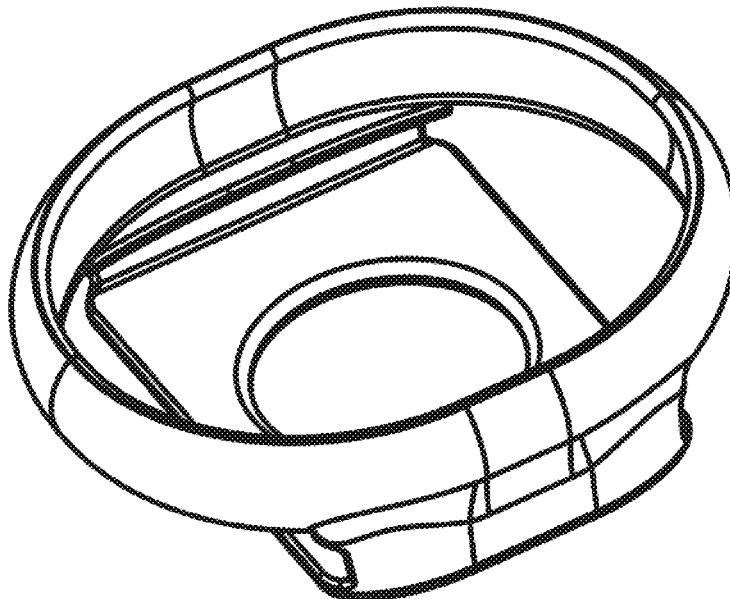


FIGURE 1

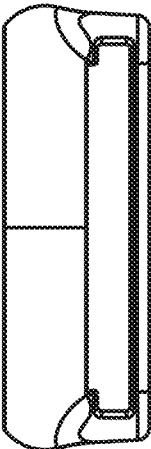


FIGURE 2

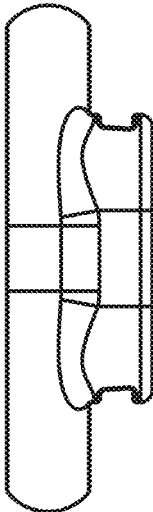


FIGURE 3

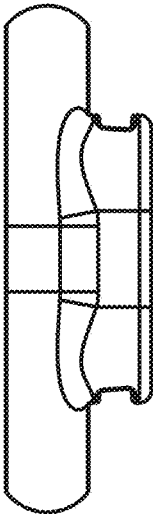


FIGURE 4

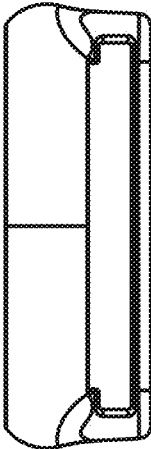


FIGURE 5

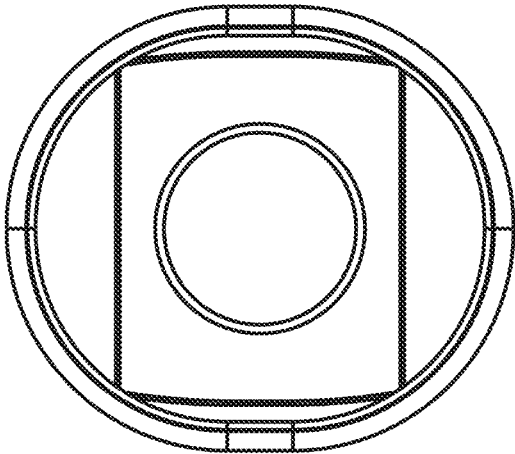


FIGURE 6

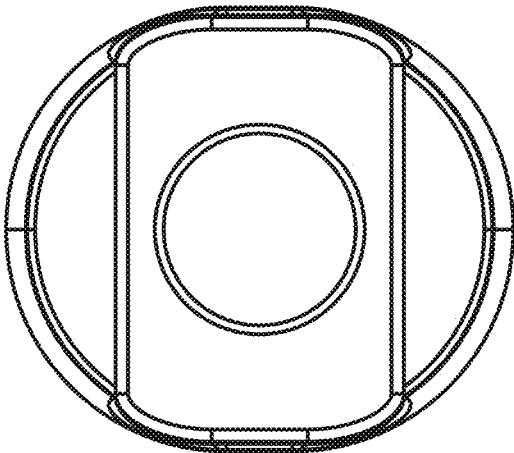


FIGURE 7

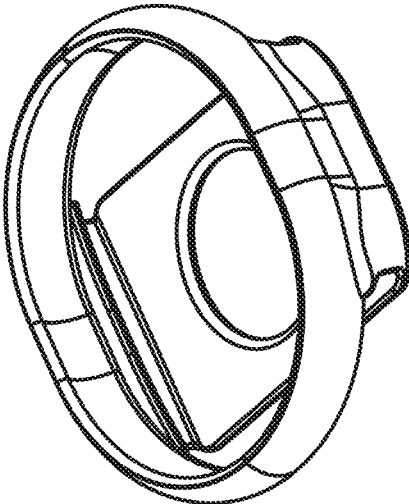


FIGURE 8

