



US00D863408S

(12) **United States Design Patent**
Zheng

(10) **Patent No.:** **US D863,408 S**

(45) **Date of Patent:** **** Oct. 15, 2019**

(54) **PROJECTOR**

(71) Applicant: **Shenzhen QiSheng Technology Co., Ltd.**, Shenzhen, Guangdong (CN)

(72) Inventor: **Lian Zheng**, Guangdong (CN)

(73) Assignee: **Shenzhen QiSheng Technology Co., Ltd.**, Shenzhen (CN)

(**) Term: **15 Years**

(21) Appl. No.: **29/649,205**

(22) Filed: **May 28, 2018**

(30) **Foreign Application Priority Data**

Dec. 18, 2017 (CN) 2017 3 0648460

(51) **LOC (12) Cl.** **16-02**

(52) **U.S. Cl.**
USPC **D16/231**

(58) **Field of Classification Search**

USPC D16/221, 225, 229-231, 234; D21/514
CPC G03B 21/145; G03B 21/14; G03B 21/12;
G03B 21/00; G03B 21/001; G03B
21/003; G03B 21/16

See application file for complete search history.

(56) **References Cited**

U.S. PATENT DOCUMENTS

D185,994 S * 8/1959 Lanigan D16/234
D204,032 S * 3/1966 Herbst et al. D16/234

D605,682 S * 12/2009 Messner D16/225
D616,911 S * 6/2010 Tompkin D16/225
D635,175 S * 3/2011 Tompkin D16/230

* cited by examiner

Primary Examiner — Wan Laymon

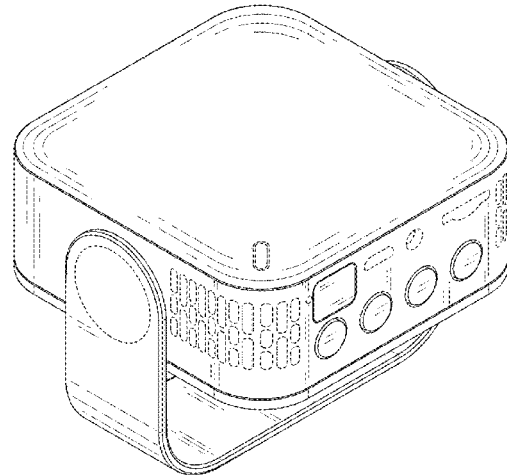
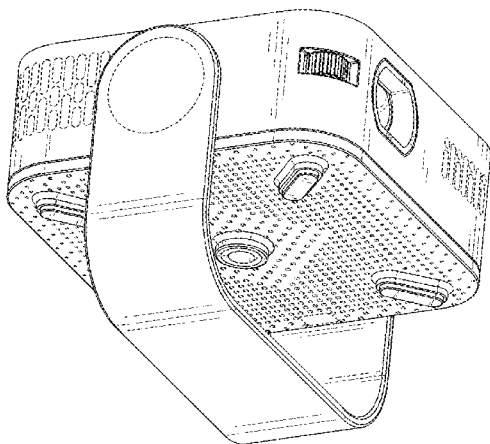
(57) **CLAIM**

The ornamental design for a projector, as shown and described.

DESCRIPTION

FIG. 1 is a front elevational view of a projector showing my new design;
FIG. 2 is a rear elevational view thereof;
FIG. 3 is a left side view thereof;
FIG. 4 is a right side view thereof;
FIG. 5 is a top plan view thereof;
FIG. 6 is a bottom plan view thereof;
FIG. 7 is a bottom, front and left side perspective view thereof; and,
FIG. 8 is a top, rear and right side perspective view thereof.
The broken lines in the drawings illustrate portions of the projector which form no part of the claimed design.
The oblique shade lines in the drawings indicate transparency.

1 Claim, 8 Drawing Sheets



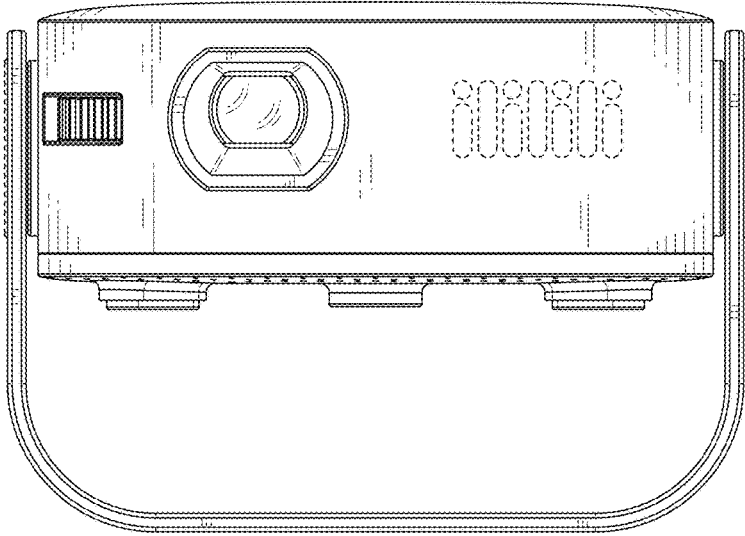


FIG.1

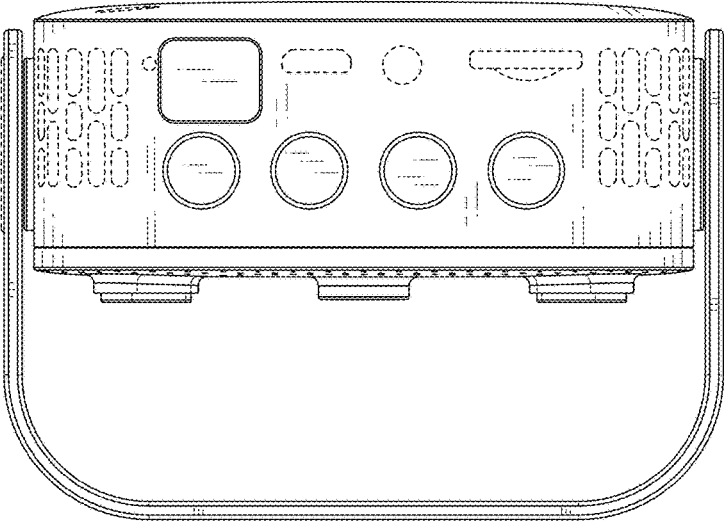


FIG.2

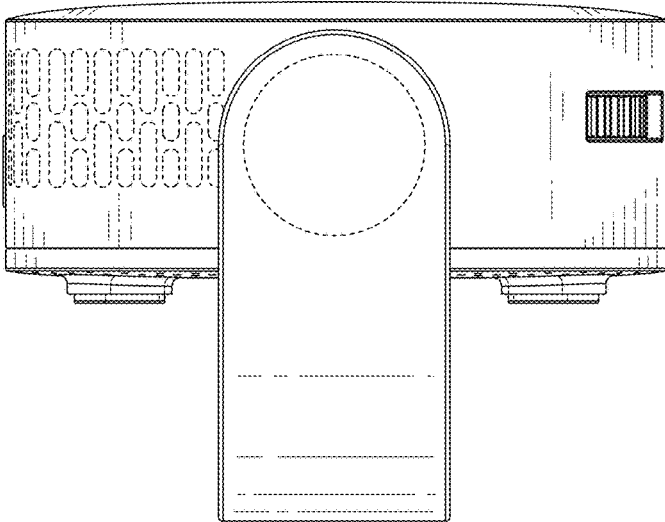


FIG.3

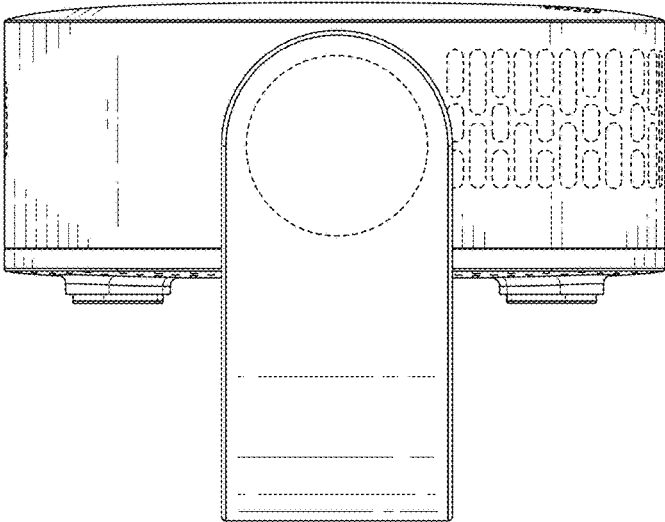


FIG.4

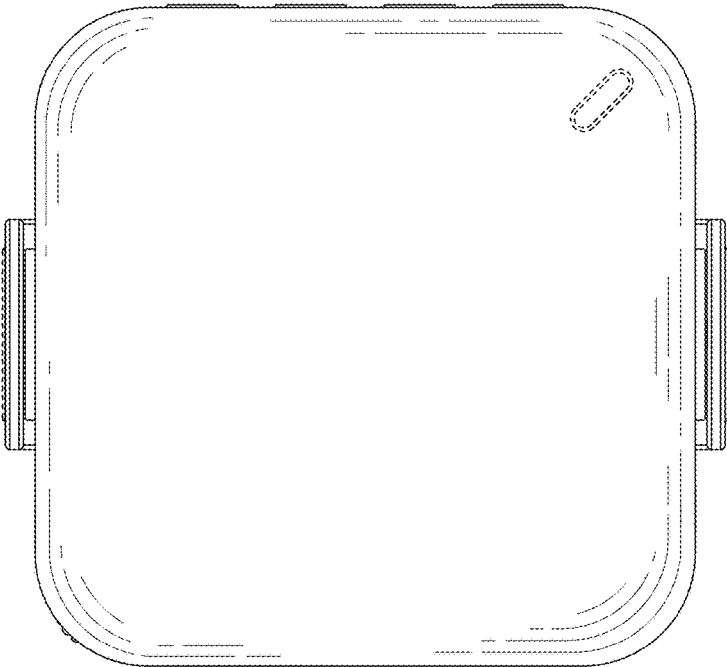


FIG.5

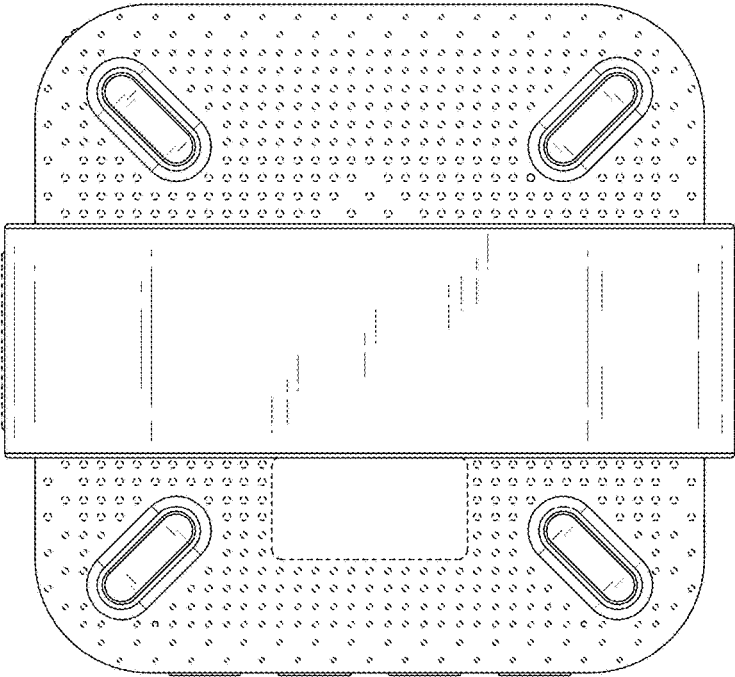


FIG. 6

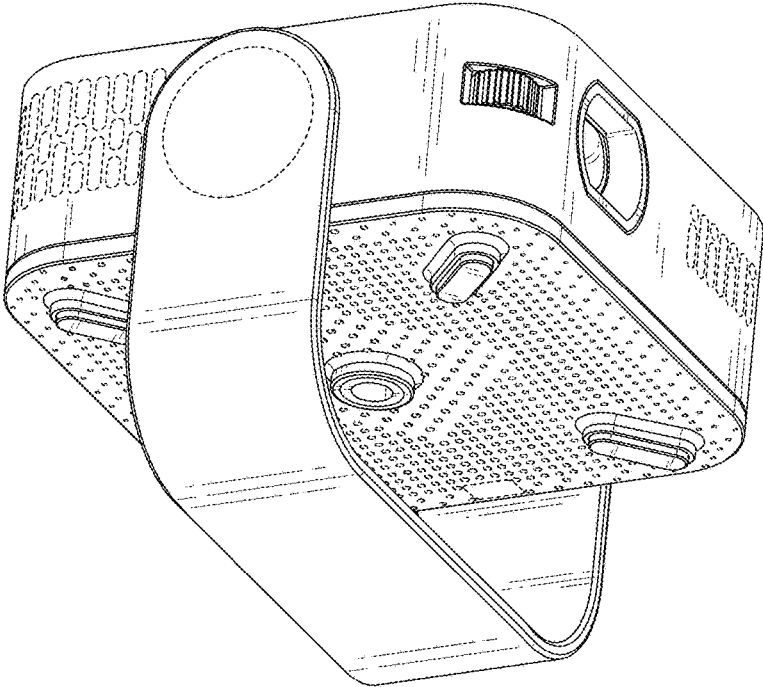


FIG.7

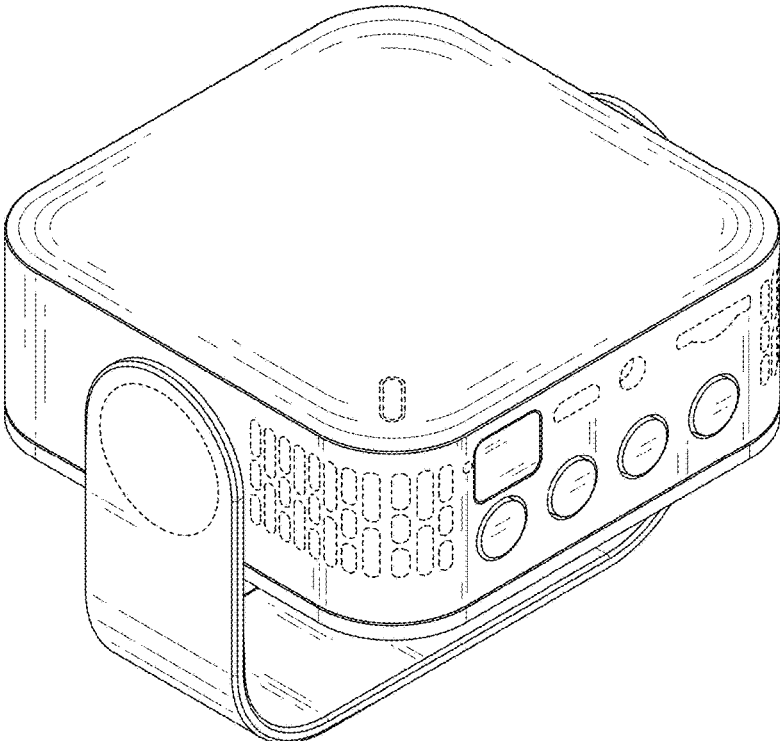


FIG.8