



US00D757154S

(12) **United States Design Patent**
Muftic et al.

(10) **Patent No.:** **US D757,154 S**

(45) **Date of Patent:** **** May 24, 2016**

(54) **WEARABLE LIGHT SENSING DEVICE**

(71) Applicant: **Yoolod Inc.**, Dallas, TX (US)

(72) Inventors: **Mirza Muftic**, Zagreb (HR); **Ivan Saban**, Oroszlavlje (HR)

(73) Assignee: **Yoolod Inc.**, Dallas, TX (US)

(**) Term: **15 Years**

(21) Appl. No.: **29/543,727**

(22) Filed: **Oct. 27, 2015**

(51) **LOC (10) Cl.** **16-06**

(52) **U.S. Cl.**
USPC **D16/309**; D16/330; D16/300

(58) **Field of Classification Search**
USPC D16/101, 300-342, 900; D29/109-110;
351/41, 44, 51-52, 62, 158, 92,
351/103-123, 140-153, 63, 59, 45-48;
2/426-432, 447-449, 441, 434-437,
2/440, 442, 13, 15; D21/483, 659-661;
D14/372

CPC G02C 2200/08; G02C 1/06; G02C 5/14;
G02C 11/02; G02C 11/04; G01C 5/16;
A61M 2021/0044; A63B 33/002

See application file for complete search history.

(56) **References Cited**

U.S. PATENT DOCUMENTS

3,647,059	A *	3/1972	Humphreys	G02C 13/006
					15/214
3,769,663	A *	11/1973	Perl	F21L 7/00
					224/181
D229,975	S *	1/1974	Klugmann	D16/309
D473,890	S *	4/2003	Waters	D16/309
D611,980	S *	3/2010	Chen	D16/309
D659,739	S	5/2012	Olsson et al.		
D659,740	S	5/2012	Olsson et al.		
D659,741	S	5/2012	Heinrich et al.		
D660,341	S	5/2012	Olsson et al.		

D662,964	S	7/2012	Olsson et al.		
D664,184	S	7/2012	Olsson et al.		
D664,185	S	7/2012	Heinrich et al.		
D664,586	S	7/2012	Olsson		
D665,008	S	8/2012	Olsson et al.		
D666,237	S	8/2012	Olsson et al.		
D669,066	S	10/2012	Olsson et al.		
D671,589	S	11/2012	Olsson		
D680,152	S	4/2013	Olsson et al.		
8,482,488	B2 *	7/2013	Jannard	G02C 11/06 345/8
D688,727	S	8/2013	Olsson		
D697,962	S	1/2014	Olsson		
D700,928	S *	3/2014	Lavoie	D16/309
D701,557	S *	3/2014	Lee	D16/309
D703,724	S	4/2014	Olsson		
D703,726	S	4/2014	Heinrich		
D708,181	S	7/2014	Olsson et al.		
D710,427	S	8/2014	Kim et al.		
D710,928	S	8/2014	Heinrich et al.		

(Continued)

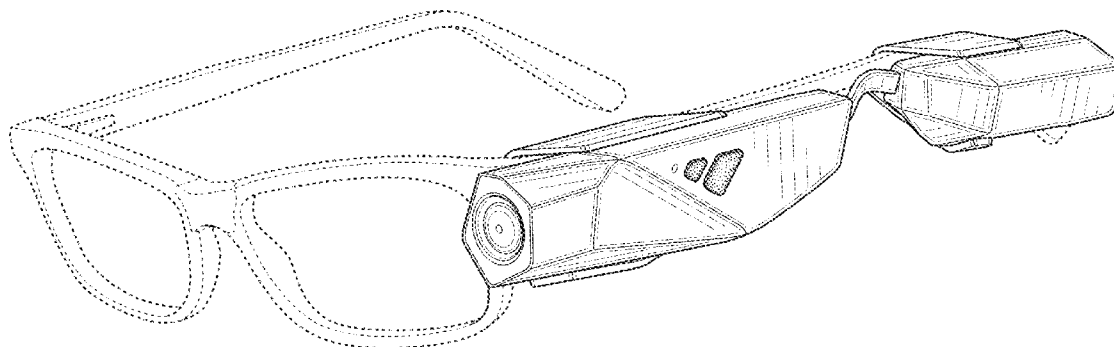
Primary Examiner — Raphael Barkai
(74) *Attorney, Agent, or Firm* — Slater Matsil, LLP

(57) **CLAIM**
The ornamental design for a wearable light sensing device, as shown and described.

DESCRIPTION

FIG. 1 is a front perspective view of a first embodiment of a wearable light sensing device;
FIG. 2 is a bottom view thereof;
FIG. 3 is a right side view thereof;
FIG. 4 is a back view thereof;
FIG. 5 is a top view thereof;
FIG. 6 is a front view thereof;
FIG. 7 is a left side view thereof; and,
FIG. 8 is a front perspective view of a second embodiment of a wearable light sensing device, the second embodiment being a mirror image of the first embodiment.
The broken lines depict environmental subject matter only and form no part of the claimed design.

1 Claim, 8 Drawing Sheets



(56)

References Cited

U.S. PATENT DOCUMENTS

D711,456 S 8/2014 Heinrich et al.
 D715,546 S 10/2014 Olsson et al.
 D716,299 S 10/2014 Olsson et al.
 D716,805 S 11/2014 Olsson et al.
 D716,806 S 11/2014 Olsson et al.
 D717,796 S 11/2014 Olsson
 D717,797 S 11/2014 Olsson
 D718,305 S 11/2014 Olsson et al.
 D718,765 S 12/2014 Olsson
 D719,567 S 12/2014 Kim et al.
 D719,568 S 12/2014 Heinrich et al.
 D719,569 S 12/2014 Heinrich et al.
 D719,570 S 12/2014 Heinrich et al.
 D719,952 S 12/2014 Kim et al.

D724,082 S 3/2015 Olsson et al.
 D724,083 S 3/2015 Olsson et al.
 D725,103 S 3/2015 Olsson et al.
 D725,104 S 3/2015 Olsson et al.
 D725,105 S 3/2015 Olsson et al.
 D725,106 S 3/2015 Olsson et al.
 D726,721 S 4/2015 Olsson
 D727,317 S 4/2015 Olsson et al.
 D728,564 S 5/2015 Olsson et al.
 D732,024 S 6/2015 Heinrich et al.
 D732,025 S 6/2015 Heinrich et al.
 D734,332 S 7/2015 Olsson et al.
 D734,807 S * 7/2015 Wu D16/306
 D736,303 S * 8/2015 Yu D16/309
 D737,272 S 8/2015 Olsson et al.
 2011/0239354 A1 * 10/2011 Celona A42B 3/04
 2/422

* cited by examiner

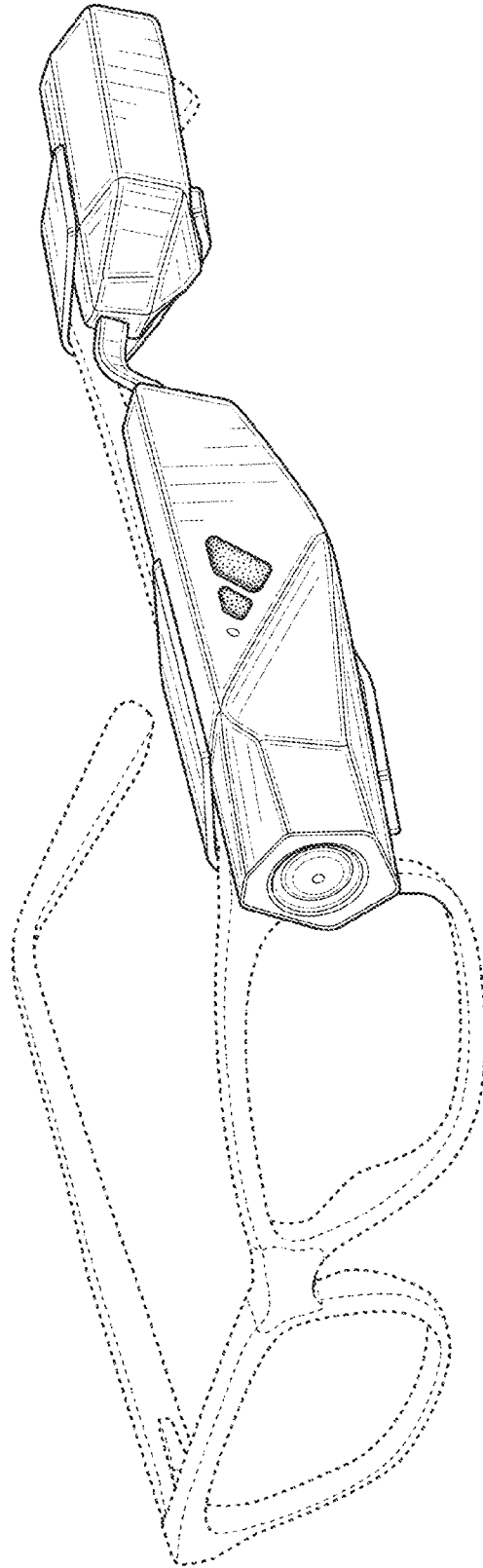


FIG. 1

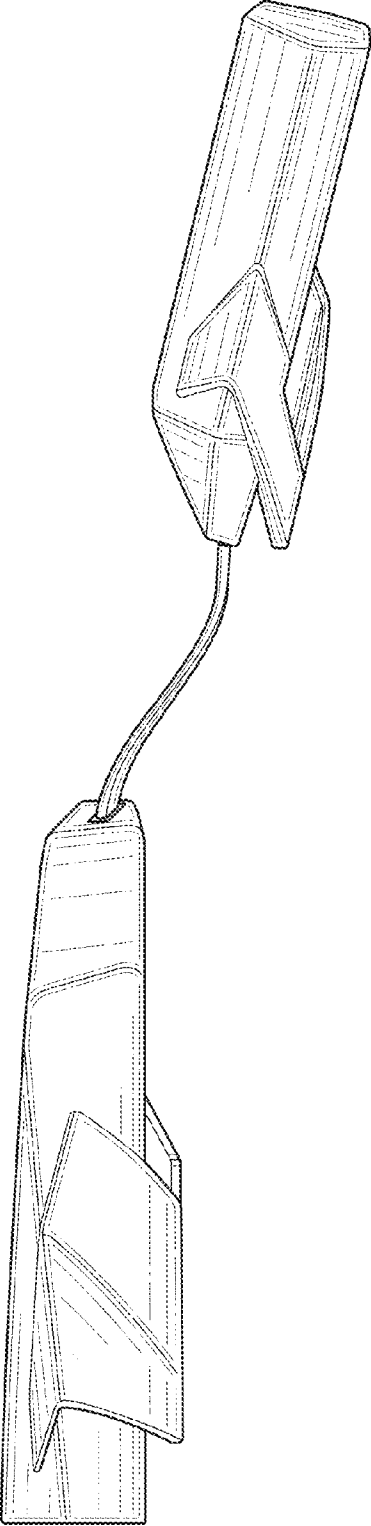


FIG. 2

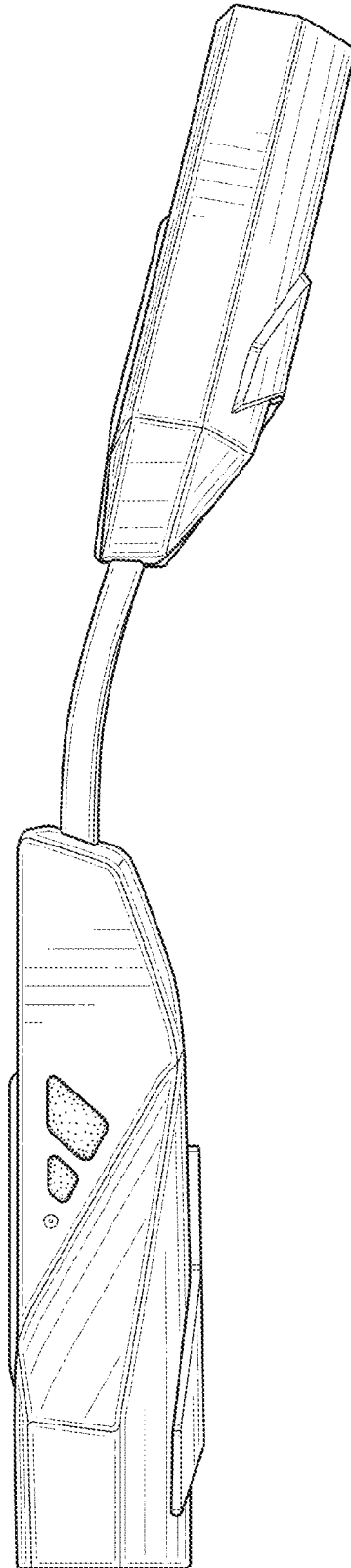


FIG. 3

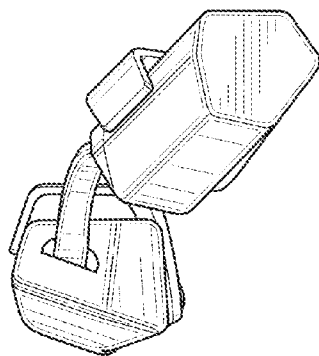


FIG. 4

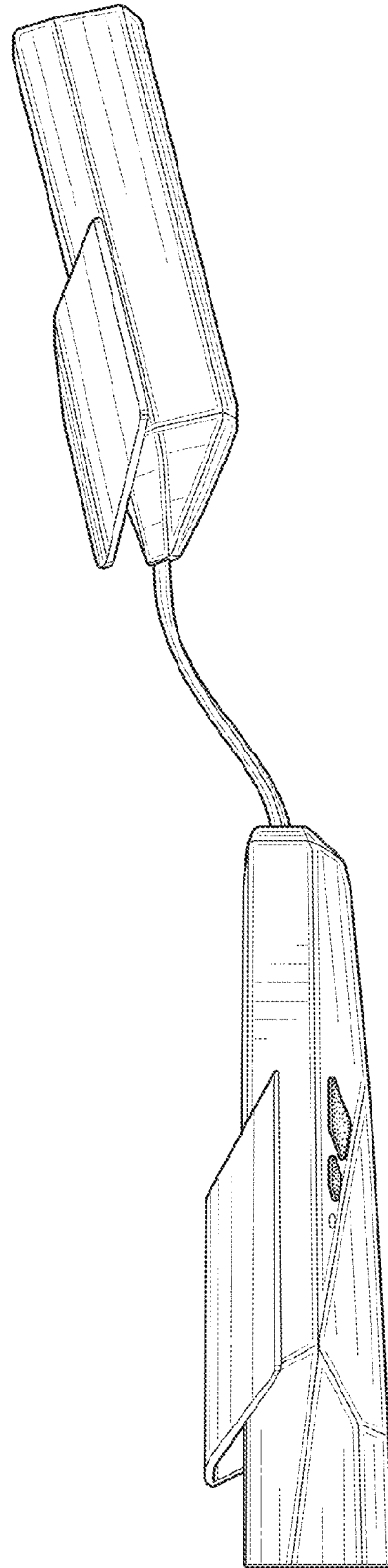


FIG. 5

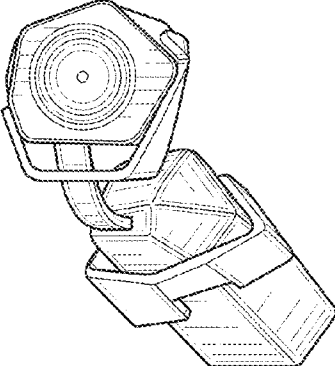


FIG. 6

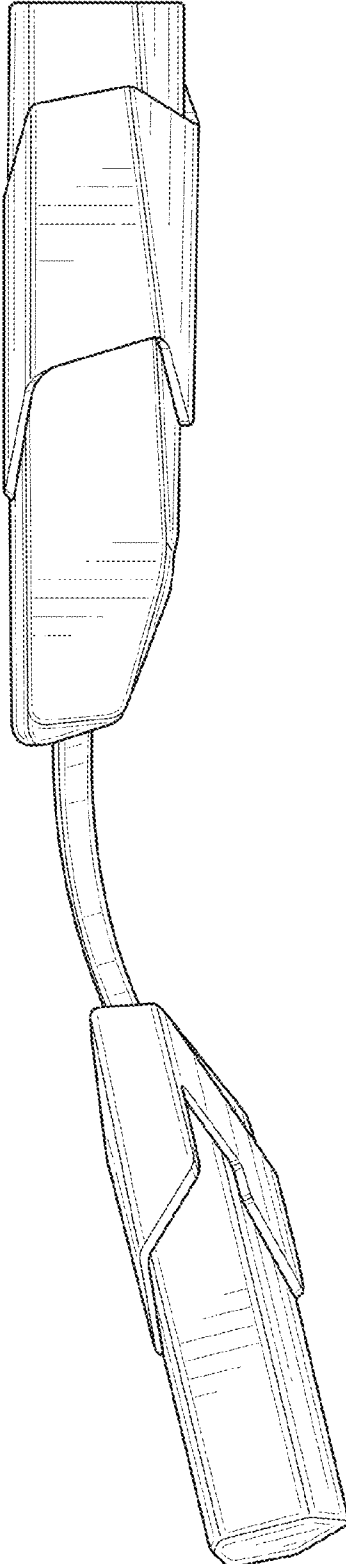


FIG. 7

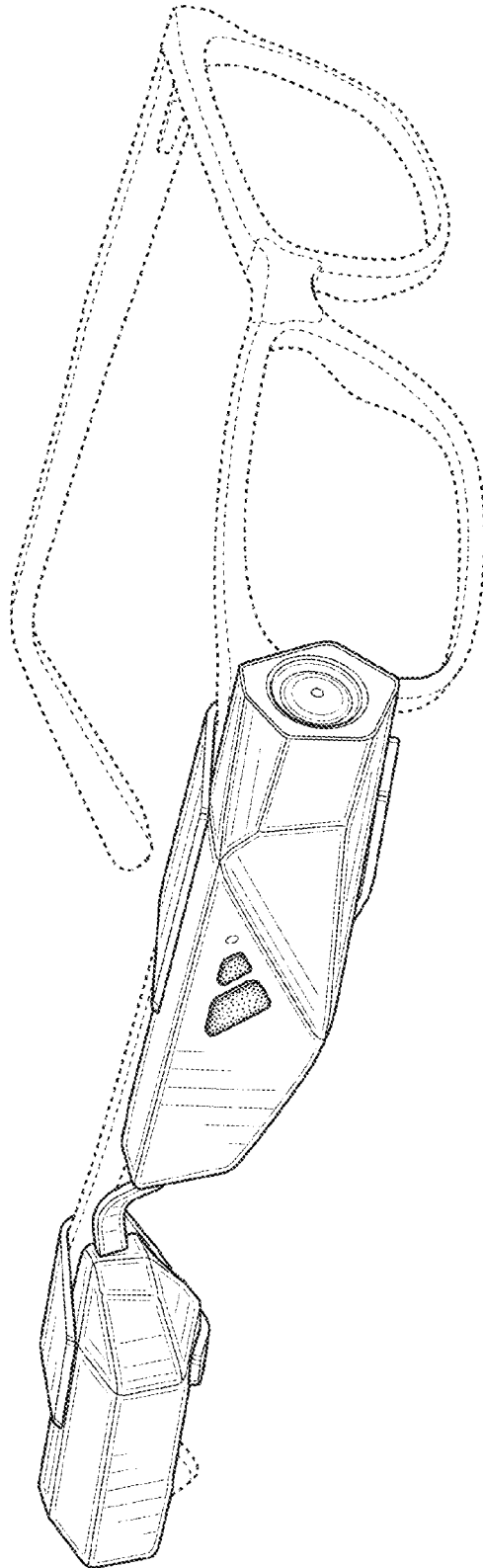


FIG. 8