



US00D972316S

(12) **United States Design Patent**
Liang

(10) **Patent No.:** **US D972,316 S**

(45) **Date of Patent:** **** Dec. 13, 2022**

(54) **TOWEL HOOK**

(71) Applicant: **Guangzhou Dihe Technology Co., LTD.**, Guangzhou (CN)

(72) Inventor: **Meiling Liang**, Luoding (CN)

(73) Assignee: **Guangzhou Dihe Technology Co., LTD.**, Guangzhou (CN)

(**) Term: **15 Years**

(21) Appl. No.: **29/828,190**

(22) Filed: **Feb. 24, 2022**

(51) **LOC (13) Cl.** **06-08**

(52) **U.S. Cl.**
USPC **D6/323**

(58) **Field of Classification Search**
USPC D6/315, 317-320, 323, 326, 328, 672;
D8/367, 372, 373, 380
CPC A47G 25/00; A47G 25/06; A47G 25/10;
A47G 25/28; A47G 25/30; A47G 25/32;
A47G 25/68; A47G 1/00
See application file for complete search history.

(56) **References Cited**

U.S. PATENT DOCUMENTS

D322,361 S *	12/1991	Goodman	D8/367
6,789,773 B2 *	9/2004	Holland	A47G 25/0607 248/307
D566,532 S *	4/2008	Wolff	D8/367
D761,093 S *	7/2016	Liu	D8/367
D767,907 S *	10/2016	Goodman	D6/323
D769,702 S *	10/2016	Kuniyoshi	D8/367
D811,201 S *	2/2018	Berger	D8/367
D811,862 S *	3/2018	Berger	D8/367
D812,453 S *	3/2018	Berger	D8/367
D812,454 S *	3/2018	Berger	D8/367
D821,184 S *	6/2018	Berger	D8/367
D839,632 S	2/2019	Downey et al.	

D839,721 S *	2/2019	Downey	D8/367
D867,771 S	11/2019	Zhong	
D887,254 S *	6/2020	Bond	D8/367
D906,097 S *	12/2020	Krull	D8/367
D935,312 S *	11/2021	Zhou	D8/367

OTHER PUBLICATIONS

Deliton Adhesive Hooks, available in Amazon.com, first available date Aug. 25, 2021, site visited Jul. 27, 2022, URL:https://www.amazon.com/DELITON-Adhesive-Hooks-Bathroom-Stainless/dp/B0993GDLC5 (Year: 2021).*

YIGII Towel Hooks, available in YIGII.com, site visited Jul. 20, 2022, URL:https://www.yigii.com/product/yigii-towel-hooks-for-bathroom-adhesive-ks021h/ (Year: 2022).*

* cited by examiner

Primary Examiner — Mary Ann Calabrese
Assistant Examiner — Mark David Wolfley
(74) *Attorney, Agent, or Firm* — ScienBizIP, P.C.

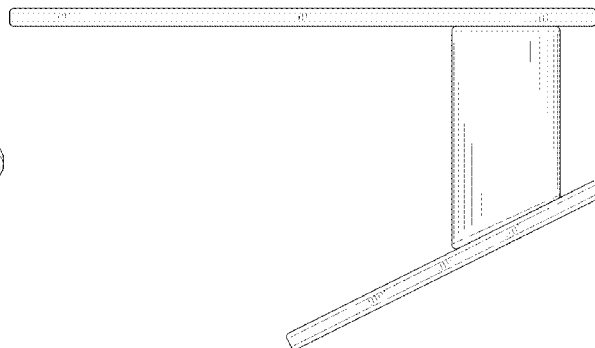
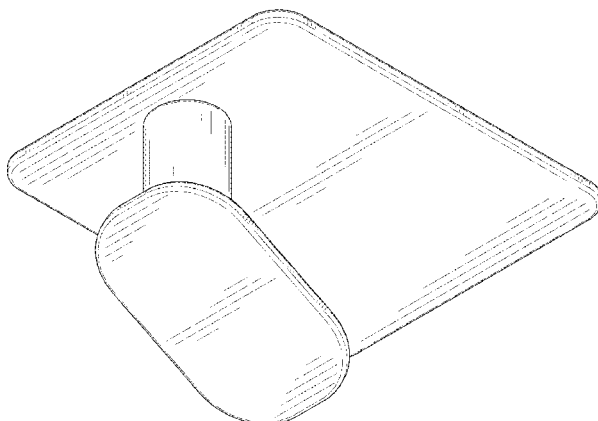
(57) **CLAIM**

The ornamental design for a towel hook, as shown and described.

DESCRIPTION

FIG. 1 is a front, right, top perspective view of a towel hook, showing my design.
FIG. 2 is a rear, left, bottom perspective view thereof.
FIG. 3 is a front elevation view thereof.
FIG. 4 is a rear elevation view thereof.
FIG. 5 is a left side elevation view thereof.
FIG. 6 is a right side elevation view thereof.
FIG. 7 is a top plan view thereof; and,
FIG. 8 is a bottom plan view thereof.

1 Claim, 8 Drawing Sheets



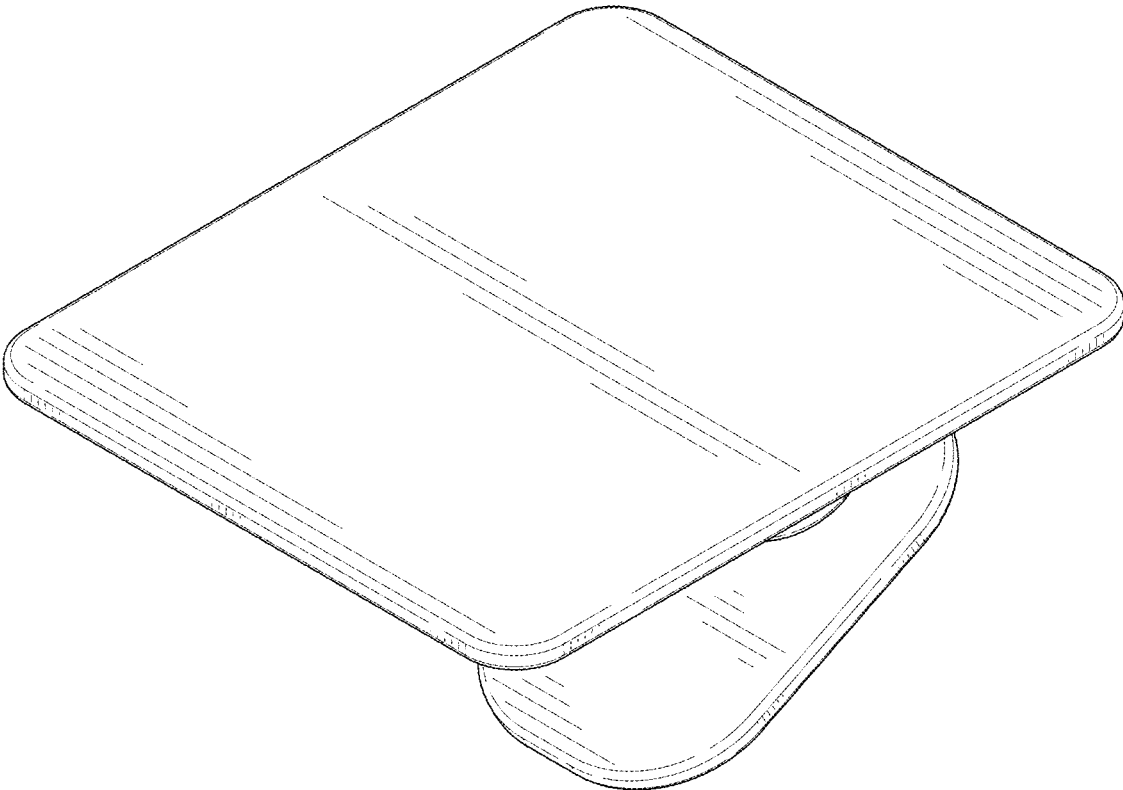


FIG. 1

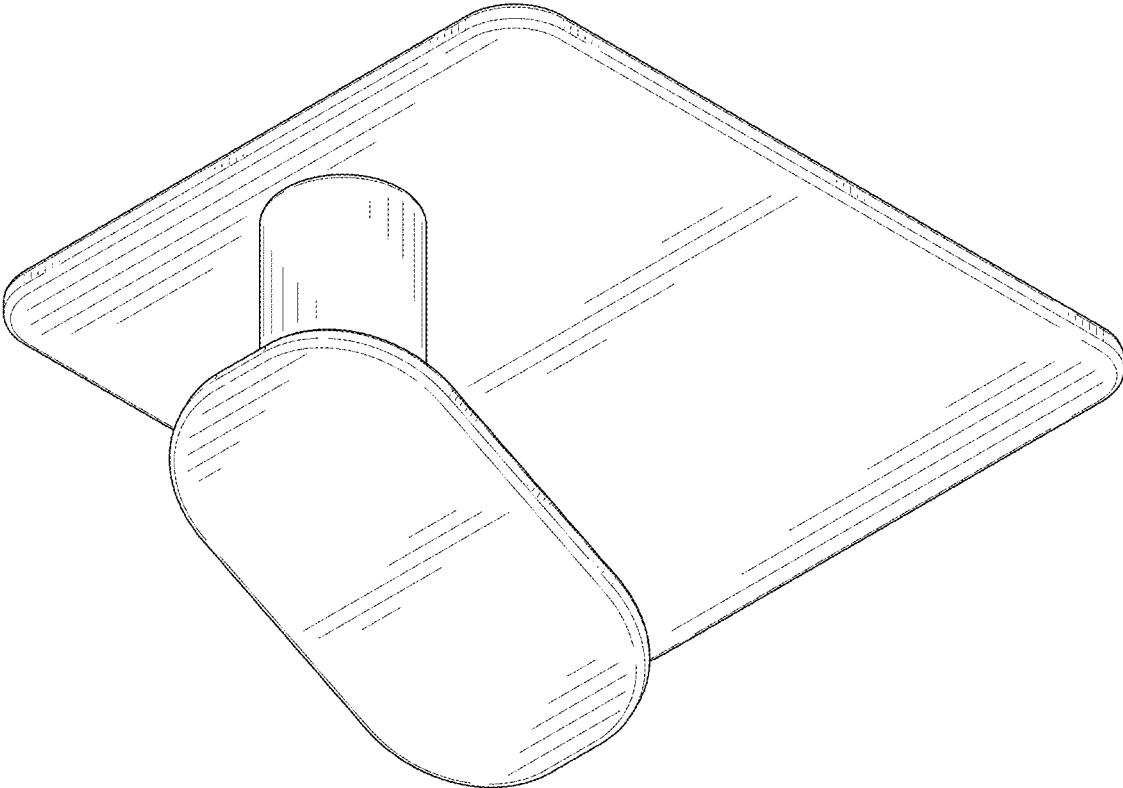


FIG. 2

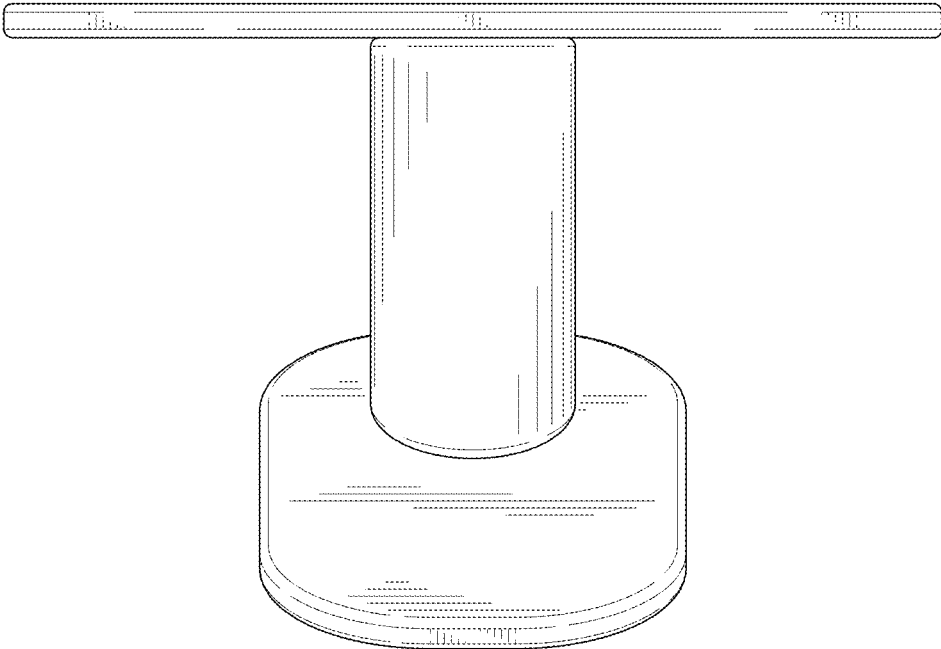


FIG. 3

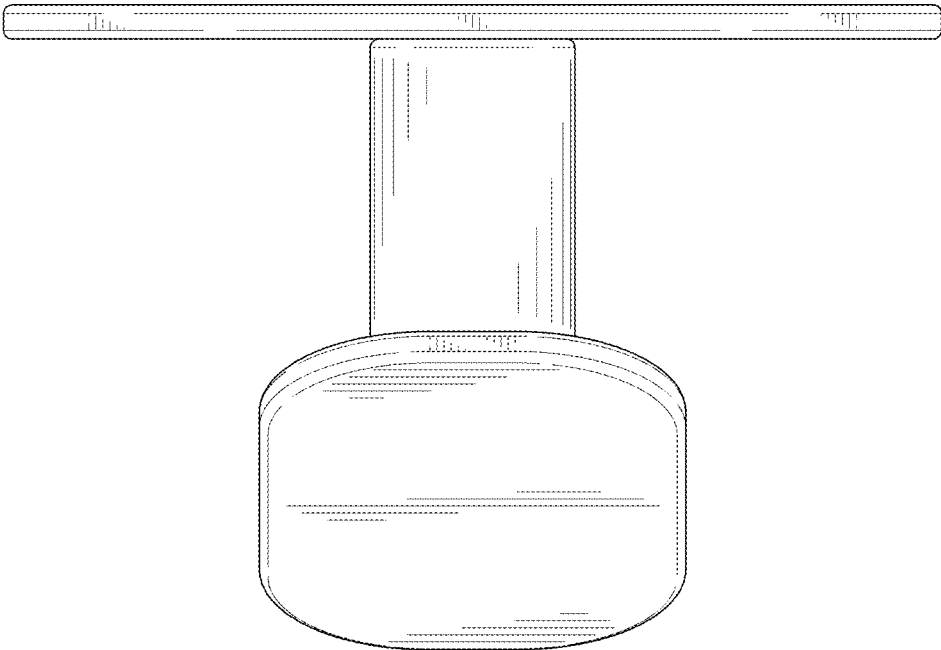


FIG. 4

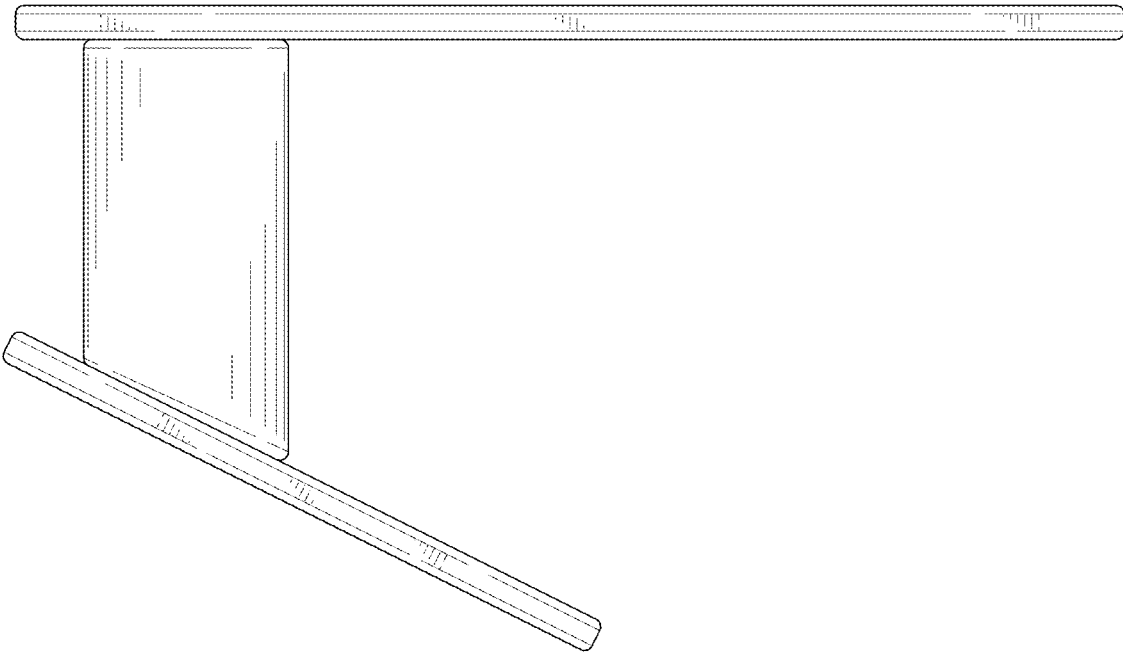


FIG. 5

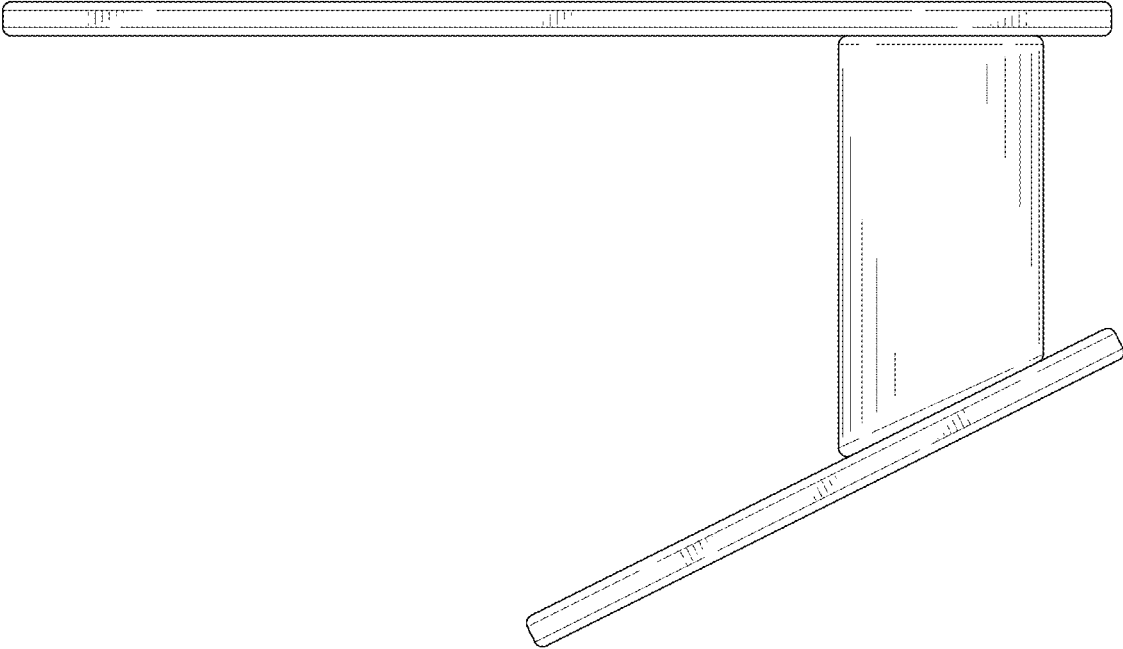


FIG. 6

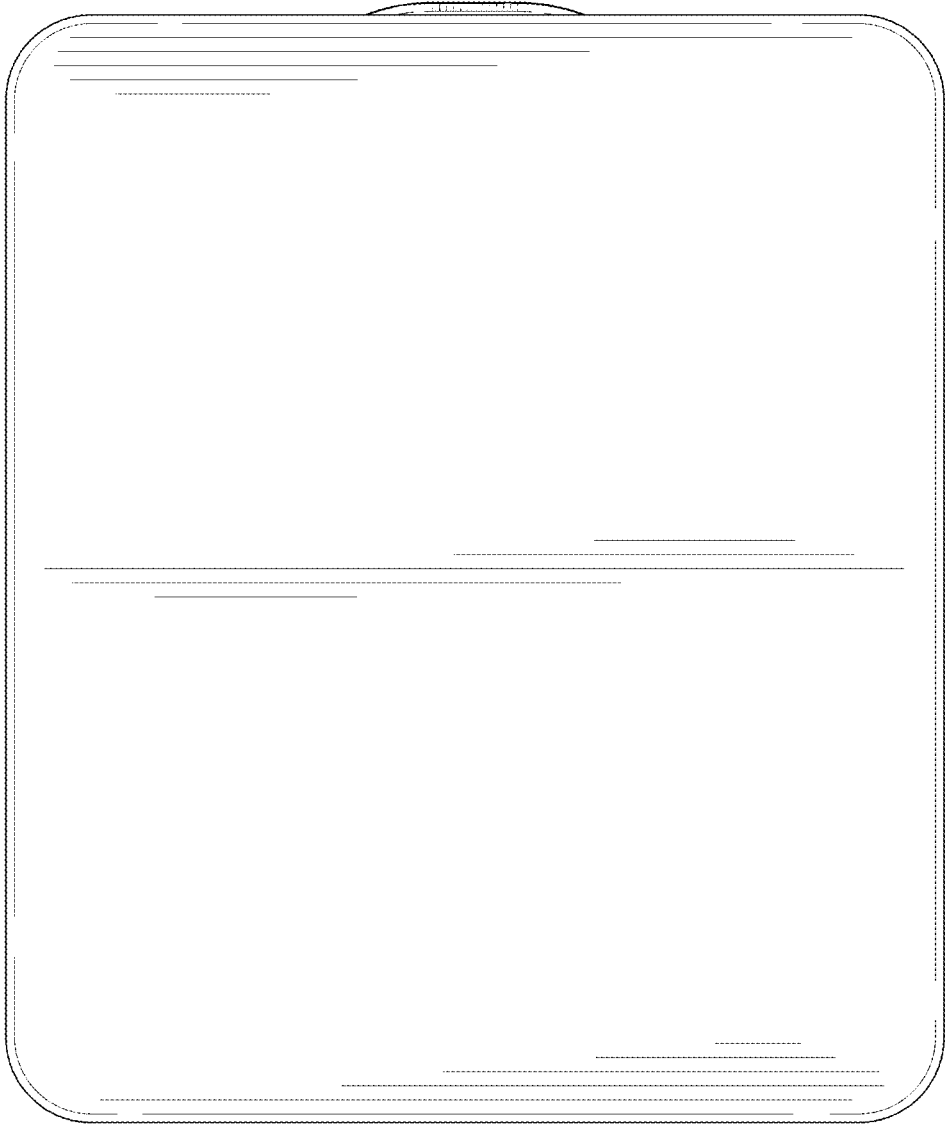


FIG. 7

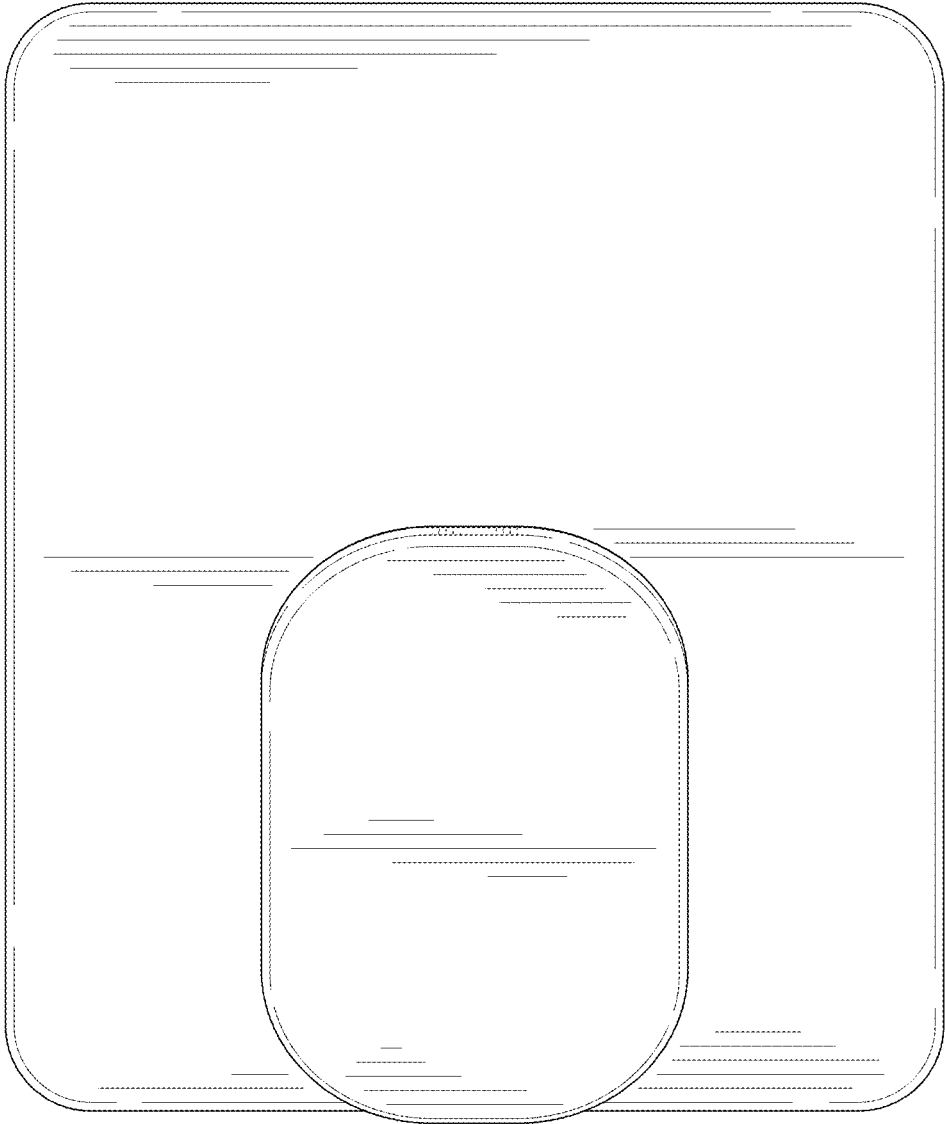


FIG. 8